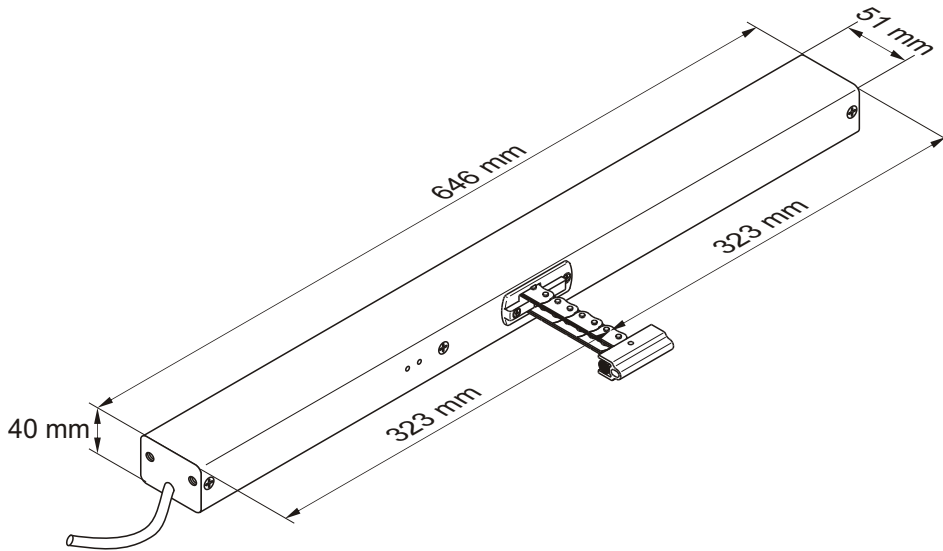


Technische Änderungen vorbehalten. / Rights to technical modifications reserved.



© 2009 D+H Mechatronic AG, Ammersbek. Alle Maße in Millimeter. / All sizes in millimetre.

Intended use

- Chain drive for electric opening and closing of windows and flaps in the facade and roof area
- Operating voltage 230 VAC
- For daily naturally ventilation
- Only for inside mounting

Performance features

- Microprocessor-controlled motor electronic
- Opening in 6 stages with rotary switches (150, 200, 250, 300, 350 and 500mm)
- Passive and active clamping protection for the main closing edge
- re-clock and permanent voltage compatible
- Use of rain detectors and temperature control possible

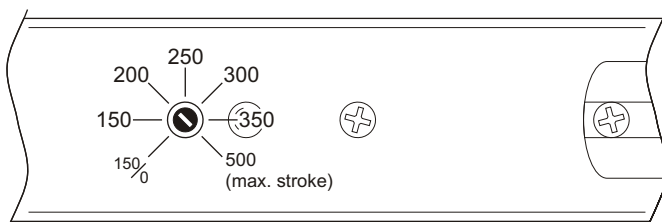
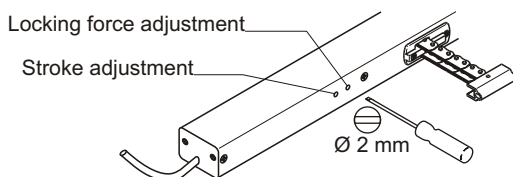
Extent of supply

Drive unit with 6 m pvc cable. Dependent on the type of window, different bracket sets are available (KA-BSxxx-xxxx). Please order the bracket sets separately!

Inspection / maintenance

Inspection and maintenance has to be carried out according to D+H maintenance notes. Repair of the drive unit is to be carried out exclusively by D+H.

Opening stroke adjustment



Safety notes

Operating voltage 230 VAC!

- Risk of injury from electric shock.
- Connection has to be carried out by electro- specialists only.
- Switch voltage-free before mounting.
- Observe regulations of the local energy companies as well as regulations for wet and damp rooms according to VDE 100 when connecting.
- Danger of violent pressure in handaccessible area.
- Keep away People from the operating area of the drive.
- Keep away children from the control.
- Use only in dry rooms.
- Only for inside mounting. Use always rain detectors with danger of rain (e.g. at domelights or roof windows).
- This product may not be operated without the covering stoppers, which are delivered with bracket sets.
- Just use original D+H parts.
- Observe mounting instructions of bracket set!



Observe enclosed red safety slip!

Guarantee

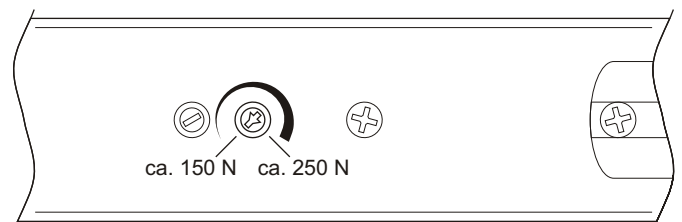
You will get **2 years** guarantee for all D+H products from verified handing over of the system till up to 3 years after date of delivery, if mounting and starting of the system was carried out by a distributor authorized by D+H.

The D+H guarantee will expire, if D+H components are connected with other systems, or if D+H products are mixed with parts of other manufacturers.

Locking force adjustment

If factory-set locking pressure of ca. 150 N is not sufficient to close the window, it can be infinitely increased up to ca. 250 N.

Put in covering stopper after adjustment.



99.824.13 1.2/09/09

Technical Data

supply	230 V AC, ±10%, 50 Hz
power	35 VA
locking force	ca. 1000 N
rating life	>10 000 double strokes
duty	30 % (with period 10 minutes)
housing	anodized aluminum
protective system	IP 32 (only in connection with covering stoppers delivered with bracket sets)
temperature range	5 (-5 ... +75°C)
connection	6 m PVC cable, grey, Ø 6.4 mm

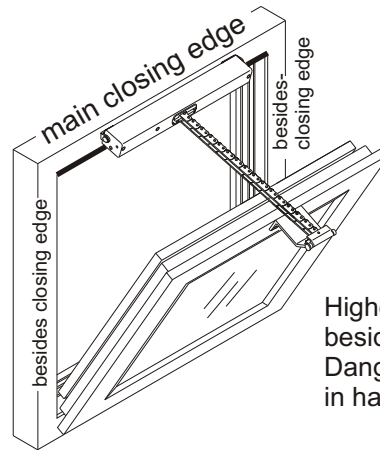
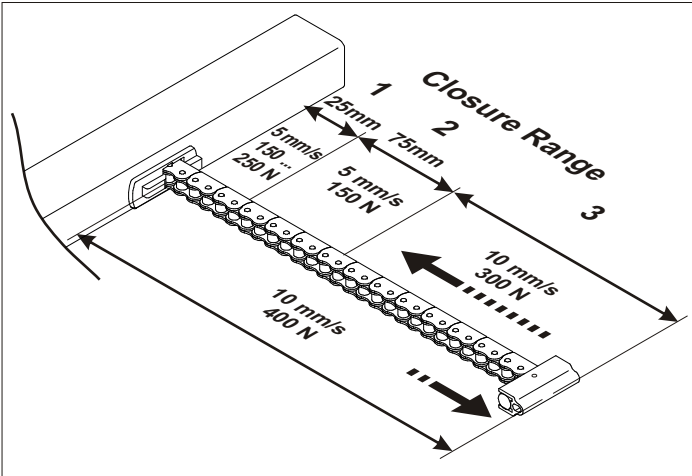
Clamping protection

In "CLOSE" direction the drive has an active clamping protection for the main closing edge. With an overload in the closing range 3 and 2 the drive runs "OPEN" for 10 seconds, then drive "CLOSE" again. If after three attempts a closing is not possible, the drive remains in this position.

Attention! : After overall 10 Overload shutdowns the zero point is now at the current position. If the drive runs now in "OPEN" direction, the default stroke is measured from this position. The absolute stroke is bigger. Open drive only so far that the disturbance can be removed, and then run drive "CLOSE" completely (Note: The Closure Range 1 without clamping protection is also increased at this time). The zero point is now back to its original position.

In addition, the drive has a passive clamping protection. The closing speed in Closure Range 2 and 1 is reduced to 5 mm/s.

Forces and running speed



Higher forces can occur on besides closing edges. Danger of violent pressure in handaccessible area.

Connection

