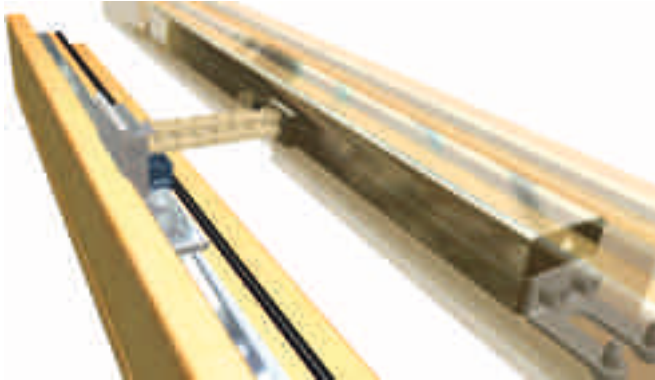


CDC bracket sets

Installation solutions for



Bottom-hung window,
Side-hung window,
inwards opening

wooden,
integrated mounting

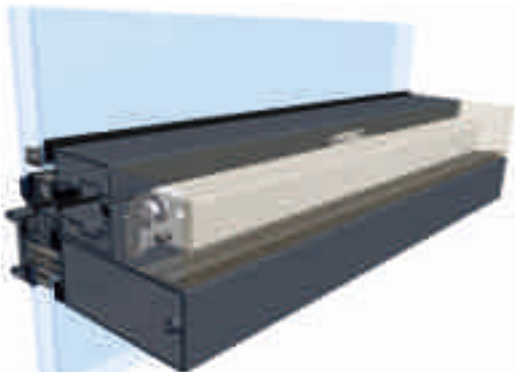
- CDC drive



Bottom-hung window,
Side-hung window,
inwards opening

aluminium,
integrated mounting

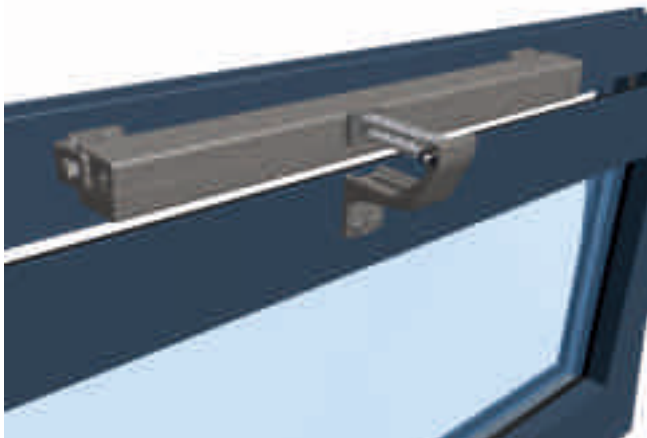
- CDC drive



Projected top-hung vent,
Parallel outward opening window,
outwards opening

aluminium,
integrated mounting,
surfaced mounting

- CDC drive



Universal mounting solutions

aluminium, wooden, plastic
surfaced mounting

- CDC drive

CDC bracket sets

Contents

Profile series / type of assembly	Bracket set	Art. no.	Page
Planning aid			7
Identification system			9
Colour option			10
Mounting solutions for bottom-hung windows, side-hung windows, wood			11
Timber window section IVxx	CDC-BS001-IFI	25.AAA.KS	13
Timber window section IV56, 63, 68 (groove installation)	CDC-BS010-IFI	25.ABF.KS	15
Timber window section IV78, 88, 98 (groove installation)	CDC-BS010-IFI	25.ABF.KS	17
Mounting solutions for bottom-hung windows, side-hung windows, aluminium			19
Alcoa-Kawneer®			
Series AA610; AA610HW; AA720; AA720HW; AA720HI	CDC-BS051-IFI	25.AER.KS	19
	CDC-BS052-IFI	25.AES.KS	19
Aluprof®			
Series MB-59S	CDC-BS055-IFI	25.AEV.KS	21
	CDC-BS056-IFI	26.AEW.KS	21
Series MB 60	CDC-BS072-IFI	25.AGJ.KS	23
	CDC-BS073-IFI	25.AGK.KS	23
Series MB 70	CDC-BS074-IFI	25.AGJ.KS	25
	CDC-BS075-IFI	25.AGK.KS	25
Gutmann®			
Series 70	CDC-BS053-IFI	25.AET.KS	27
	CDC-BS054-IFI	25.AEU.KS	27
Heroal®			
Series 065; 065.i	CDC-BS033-IFI	25.ADL.KS	29
	CDC-BS039-IFI	25.ADX.KS	29
Series 065.1; 065i.1	CDC-BS033-IFI	25.ADL.KS	31
	CDC-BS039-IFI	25.ADX.KS	31
Series 110E	CDC-BS033-IFI	25.ADL.KS	33
	CDC-BS039-IFI	25.ADX.KS	33
Series 110ES	CDC-BS067-IFI	25.AFW.KS	35
	CDC-BS068-IFI	25.AFX.KS	35
Hueck-Hartmann®			
Series Lambda 77	CDC-BS047-IFI	25.AEL.KS	37
	CDC-BS048-IFI	25.AEM.KS	37
Series 1.0	CDC-BS047-IFI	25.AEL.KS	39
	CDC-BS048-IFI	25.AEM.KS	39
Series 72E	CDC-BS049-IFI	25.AEN.KS	41
	CDC-BS050-IFI	25.AEP.KS	41

CDC bracket sets

Contents

Profile series / type of assembly	Bracket set	Art. no.	Page
Raico®			
Series Frame+	CDC-BS062-IFI	25.AFM.KS	43
	CDC-BS063-IFI	25.AFN.KS	43
Reynears®			
Series CS 59	CDC-BS027-IFI	25.ADA.KS	45
	CDC-BS028-IFI	25.ADB.KS	45
Series CS 68; 77	CDC-BS025-IFI	25.ACY.KS	47
	CDC-BS026-IFI	25.ACZ.KS	47
Series CS 86-HI	CDC-BS031-IFI	25.ADE.KS	49
	CDC-BS032-IFI	25.ADF.KS	49
Series Eco	CDC-BS029-IFI	25.ADC.KS	51
	CDC-BS030-IFI	25.ADD.KS	51
Sapa®			
Series SFB 1074	CDC-BS059-IFI	25.AFE.KS	53
	CDC-BS060-IFI	25.AFF.KS	53
Schüco®			
Series AWS 65; 70.HI; 75.SI	CDC-BS034-IFI	25.ADN.KS	55
	CDC-BS035-IFI	25.ADP.KS	55
Series AWS 70BS.HI; 70WF.HI; 75BS.HI	CDC-BS034-IFI	25.ADN.KS	57
	CDC-BS035-IFI	25.ADP.KS	57
Series Royal C; S xx	CDC-BS041-IFI	25.AEF.KS	59
	CDC-BS042-IFI	25.AEE.KS	59
Series Royal S xx.HI	CDC-BS034-IFI	25.ADN.KS	61
	CDC-BS035-IFI	25.ADP.KS	61
Sykon®			
Series 70; 75	CDC-BS057-IFI	25.AEZ.KS	63
	CDC-BS058-IFI	25.AFA.KS	63
Wicona®			
Series Witect Wicline 65; 77	CDC-BS043-IFI	25.AEG.KS	65
	CDC-BS044-IFI	25.AEH.KS	65
Series Witect Wicline 60E; 70E	CDC-BS045-IFI	25.AEJ.KS	67
	CDC-BS046-IFI	25.AEK.KS	67

CDC bracket sets

Contents

Profile series / type of assembly	Bracket set	Art. no.	Page
Mounting solutions for projected top-hung windows, parallel outward opening windows, aluminium			69
Aluprof® Series MB-RS 50	CDC-BS071-VFO	25.AGE.KS	71
Gutmann® Series S70 SK	CDC-BS021-VFO	25.ACE.KS	73
Raico® Series Wing 50 SK-R	CDC-BS065-VFO	25.AFL.KS	75
Reynears® Series CW 50	CDC-BS038-VFO	25.ADW.KS	77
Sapa® Series SFB 1074	CDC-BS069-VFO	25.AFZ.KS	79
Sapa® Series SFB 1074 with additional profile	CDC-BS070-VFO	25.AGC.KS	81
Schüco® Series AWS 102	CDC-BS009-VFO	25.ABE.KS	83
Skandinaviska® Series SGS	CDC-BS061-VFO	25.AFG.KS	85
Universal mounting solutions			87
Mounting on sash inwards opening	CDC-BS077-VSI	25.AFH.KS	89
Mounting on frame inwards opening	CDC-BS066-VFI	25.AFJ.KS	91
outwards opening	CDC-BS088-VFO	25.AFK.KS	93

These application examples in this document has to be regarded as a D+ H construction-proposal and has to be checked by the user concerning exactness and feasibility on his own authority. Application advices for use have to be supplementary observed in D+H product and instruction for use sheets.

CDC bracket sets

Planning aid

D+H installation solutions – Easy and economic

The quick way to your adequate installation solution

1 Information research

2 Check
profile manufacturer's name and

3 Check
outer frame and sash frame
compatibility

4 Adhere to
installation instruction

5 Order

CDC bracket sets

Planning aid

D+H installation solutions – Easy and economic

Steps in detail

1. Information research for your application

Information you will need for the selection of the adequate bracket set:

- profile manufacturer's name
- application type (roof or facade)
- frame material
- window type
- profile serie
- article no. of outer frame
- article no. of sash frame
- desired opening angle

2. Check profile manufacturer's name and profile series

If you are looking for an installation solution please check the application overview of »CDC bracket sets« for the profile manufacturer's name and the profile series desired by your customer. If your desired profile series is listed, please open the corresponding page and check it for an adequate bracket set.

If you are looking for installation solutions for inward opening projected top-hung vents please go on to point 4.

3. Check outer frame and sash frame compatibility

Now, please turn over to the reverse and check for the outer frame and sash frame bracket desired by your customer (according to the article number of the manufacturer).

4. Adhere to installation instruction

Before ordering please read carefully the installation instructions in the »CDC bracket sets«.

5. Order

Now you can order your bracket set by using the D+H article number.

Pass on the D+H application drawings to your customer so that he can already start with the profile and window production. The application drawing number you will find in the table product information of your selected bracket

Remark:

If your profile manufacturer's name and the profile series desired by your customer is not listed, please contact the D+H application technology department, who will assist you to find a technical solution.

CDC bracket sets

Identification system

Name of the bracket sets

CDC	BS	007	V	FIS	
				FI	Frame inwards
				FIS	Frame inwards, side-hung vent
				FO	Frame outwards
				FOS	Frame outwards, side hung vent
				SI	Sash inward
				SIS	Sash inwards, side hung vent
				SO	Sash outwards
				SOS	Sash outwards, side hung vent
			V		Visible mounted
			I		Integrated mounted
		007			Consecutive numbers per product line
	BS				Bracket set
	FB				Frame bracket
	SB				Sash bracket
	CP				Cover plate
	AB				Adapter bracket
CDC					Chain drive

CDC bracket sets

Colour option

CDC-BS/C (25.AC.V.KS)

Order and delivery

RAL colour system	order
-------------------	-------

- The RAL colour systems are standards of the RAL institute for colours. Today the „RAL CLASSIC“ system is well-known: This system exists since 1927 and is characterized by 210 different colours and a four-digit numbering system.
- Sash bracket and frame bracket will be varnished or powder coated according to RAL colour chart K5.
- The colours RAL 9006/9007/9016 and the DB colour 703 are offered with shorter delivery times.

Please provide the following information for an order:

- Colour option: Typ: CDC-BS/C, Art.-Nr.: 25.AC.V.KS
- Type of bracket which should be varnished/powder coated e.g.: CDC-BS034-IFI (see planning aid for searching and finding the appropriate bracket set)
- colour (four-digit RAL label) if possible including colour name
- Technique (varnish or powder coating)
- Quantity
- Packaging (single pack or multipack)

Colour option CDC bracket

Type	CDC-BS/C	
Art. no. Set	25.AC.V.KS	
Colour system	RAL Classic K5 (more colours on request)	
Technique	varnish, powder coating	
Scope of supply	same as standard	

example

Type / Art. no. colour option	CDC-BS/C / 25.AC.V.KS	
Type	CDC-BS034-IFI	
Colour system	RAL 9016	
Technique	varnish	
Quantity	100	
Packaging		

Example bracket set CDC-BS034-IFI

Remains black

Varnished/powder coated components are shown in red for clarification. Screws and splints will not be varnished/powder coated.

Component will be varnished/powder coated in RAL xxxx

RAL 9006*

RAL 9007*

RAL 9016*

DB 703*

CDC bracket sets

Mounting solutions for bottom-hung windows, side-hung windows

Arguments for D+H installation solutions

Efficiency

- Time-saving installation through optimum adaptation of the bracket set to the particular profile system

Design

- No visible fixing material

EN 12101-2 tested

- Solutions tested as complete systems for smoke and heat vent applications according to DIN EN 12101-2

Quick fitting

- Brackets are ready for immediate fitting – no additional adaptation work on the brackets is necessary

Retains the centre seal

- The motor cover included guarantees an optimum fixing of the centre seal

Simple chain disconnection

- Disconnection of chain also possible when the window is closed

Complete scope of supply

- All materials necessary for fixing are included in the scope of supply of the bracket set

Special colours

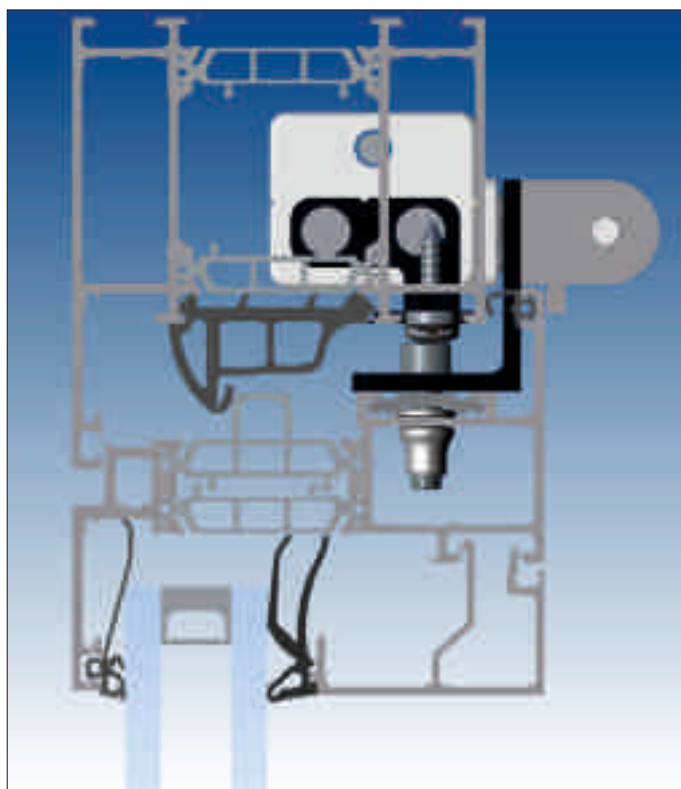
- The sash bracket can be supplied in a special colour as an option, according to RAL Classic (colour chart RAL-K5) (wet-painted or powder-coated)

Simple application overview

- Easy selection of the correct fittings with the D+H application table

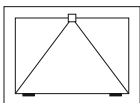


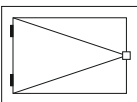
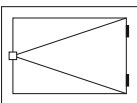
Documentation

- Application drawings suitable for window and facade manufacturers available



CDC bracket sets for Timber window section

Application

Inward opening bottom-hung window	Inward opening side-hung window
<ul style="list-style-type: none"> • Minimum outer frame face width on the inside 50mm • Minimum outer frame width 700mm (CDC; 350 housing) or 950mm (CDC; 600 housing), for outer frame with 50mm face height on the inside  	<ul style="list-style-type: none"> • Minimum outer frame face width on the inside 50mm DIN-left: <ul style="list-style-type: none"> • standard chain up to 350mm stroke • SBD chain up to 150mm stroke   

Attention: Please beware of CDC instruction for use: check pressure load diagramm and minimum sash height / width!

Product information

CDC, all versions

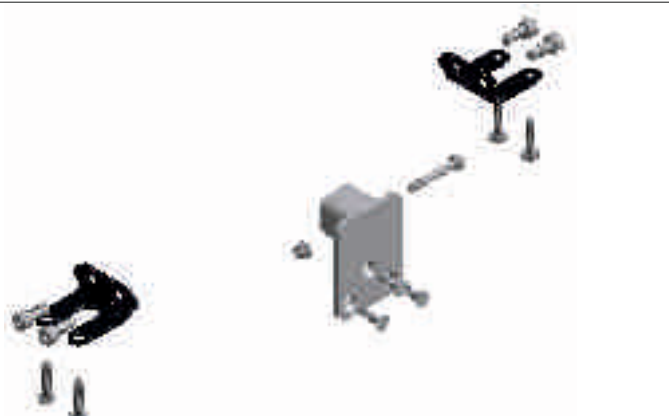
Type	CDC-BS001-IFI	
Art. no. set	25.AAA.KS	
Installation type	profile integrated	
Frame material used	wooden windows	
AD drawing number	AD00009	

Components

CDC-BS001-IFI

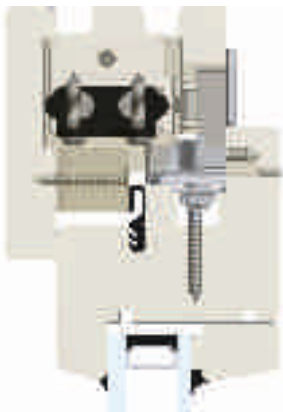
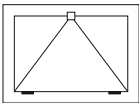
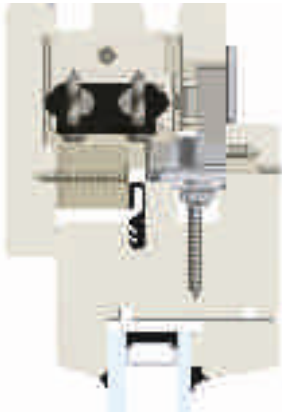
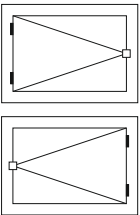
Sash bracket / art. no.	CDC-SB001 / 25.AAE.KS	
Frame bracket / art. no.	CDC-FB001 / 25.AAD.KS	
Cover plate /art. no.	–	
Scope of supply	Complete, including fixing materials	

CDC-BS001-IFI

 <p>* Please use the new article name after the publication of the new D+H price list 2009: KA-SW-BS008-VFO</p>	
--	--

CDC bracket sets for Timber window section (groove installation) IV 56; IV 63; IV 68

Application

Inward opening bottom-hung window	Inward opening side-hung window
<ul style="list-style-type: none"> • Minimum outer frame face width on the inside 50mm • Minimum outer frame width 700mm (CDC; 350 housing) or 950mm (CDC; 600 housing), for outer frame with 50mm face height on the inside  	<ul style="list-style-type: none"> • Minimum outer frame face width on the inside 50mm DIN-left: <ul style="list-style-type: none"> • standard chain up to 350mm stroke • SBD chain up to 150mm stroke  

Attention: Please beware of CDC instruction for use: check pressure load diagramm and minimum sash height / width!

Product information

CDC; all versions

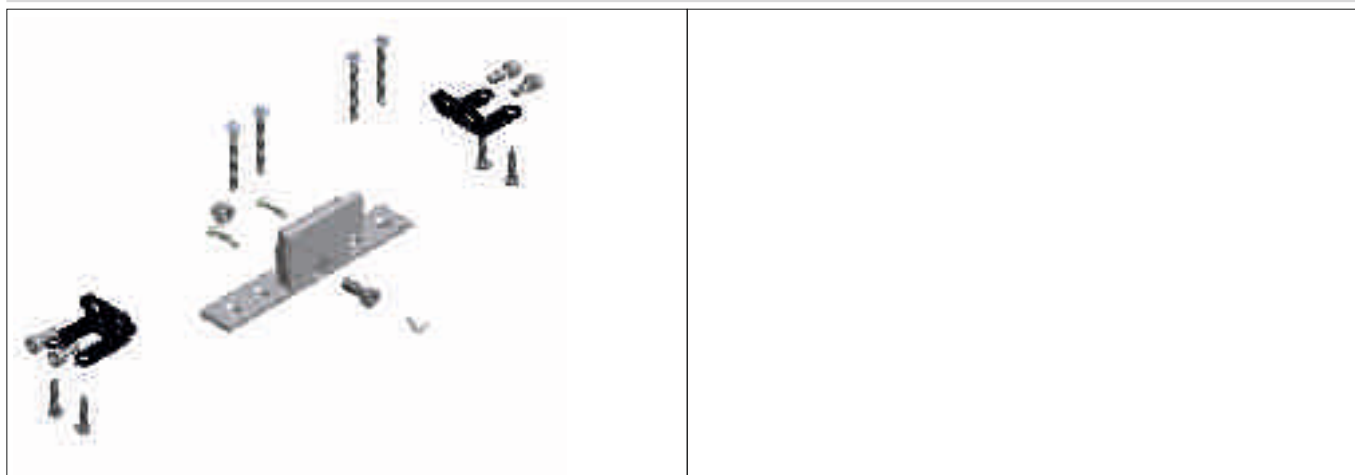
Type	CDC-BS010-IFI	
Art. no. set	25.ABF.KS	
Installation type	profile integrated	
Frame material used	wooden windows	
AD drawing number	AD00041	

Components

CDC-BS010-IFI

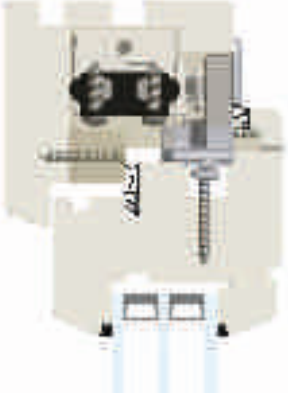
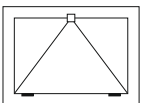
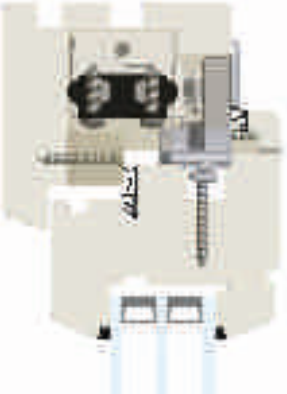
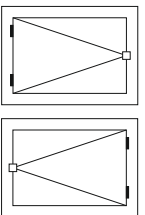
Sash bracket / art. no.	CDC-SB009 / 25.ABG.KS	
Frame bracket / art. no.	CDC-FB001 / 25.AAD.KS	
Cover plate /art. no.	–	
Scope of supply	Complete, including fixing materials	
Special lock bar with notch for the sash bracket from Sigenia-Aubi® available		
Please note: The gasket buffer is not included in the scope of supply and has to be supplied by the window manufacturer.		

CDC-BS010-IFI



CDC bracket sets for Timber window section (groove installation) IV 78; IV 88; IV 98

Application

Inward opening bottom-hung window	Inward opening side-hung window
<ul style="list-style-type: none"> • Minimum outer frame face width on the inside 50mm • Minimum outer frame width 700mm (CDC; 350 housing) or 950mm (CDC; 600 housing), for outer frame with 50mm face height on the inside  	<ul style="list-style-type: none"> • Minimum outer frame face width on the inside 50mm DIN-left: <ul style="list-style-type: none"> • standard chain up to 350mm stroke • SBD chain up to 150mm stroke  

Attention: Please beware of CDC instruction for use: check pressure load diagramm and minimum sash height / width!

Product information

CDC; all versions

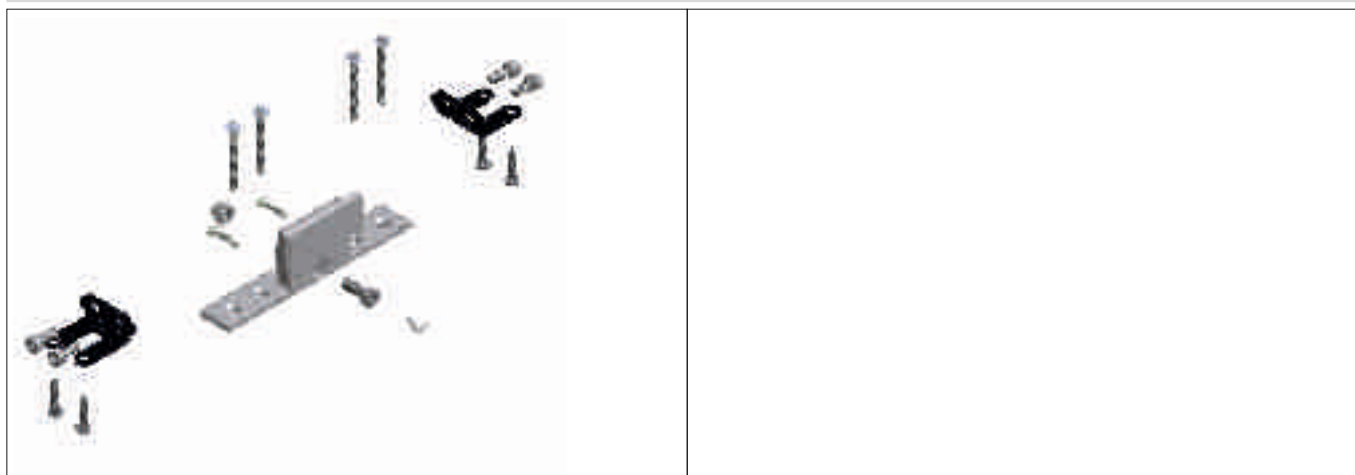
Type	CDC-BS010-IFI	
Art. no. set	25.ABF.KS	
Installation type	profile integrated	
Frame material used	wooden windows	
AD drawing number	AD00214	

Components

CDC-BS010-IFI

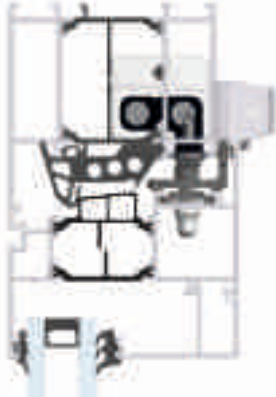
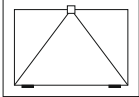
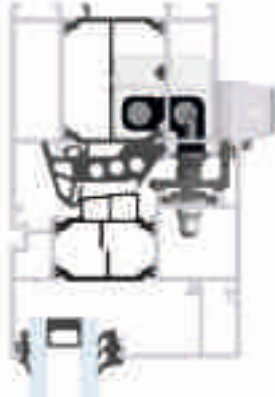
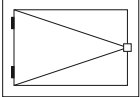
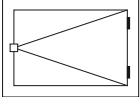
Sash bracket / art. no.	CDC-SB009 / 25.ABG.KS	
Frame bracket / art. no.	CDC-FB001 / 25.AAD.KS	
Cover plate /art. no.	–	
Scope of supply	Complete, including fixing materials	
Special lock bar with notch for the sash bracket from Sigenia-Aubi® available		
Please note: The gasket buffer is not included in the scope of supply and has to be supplied by the window manufacturer.		

CDC-BS010-IFI



CDC bracket sets for Alcoa-Kawneer® Series AA610; AA610 HW; AA720; AA720 HW; AA720 HI*

Application

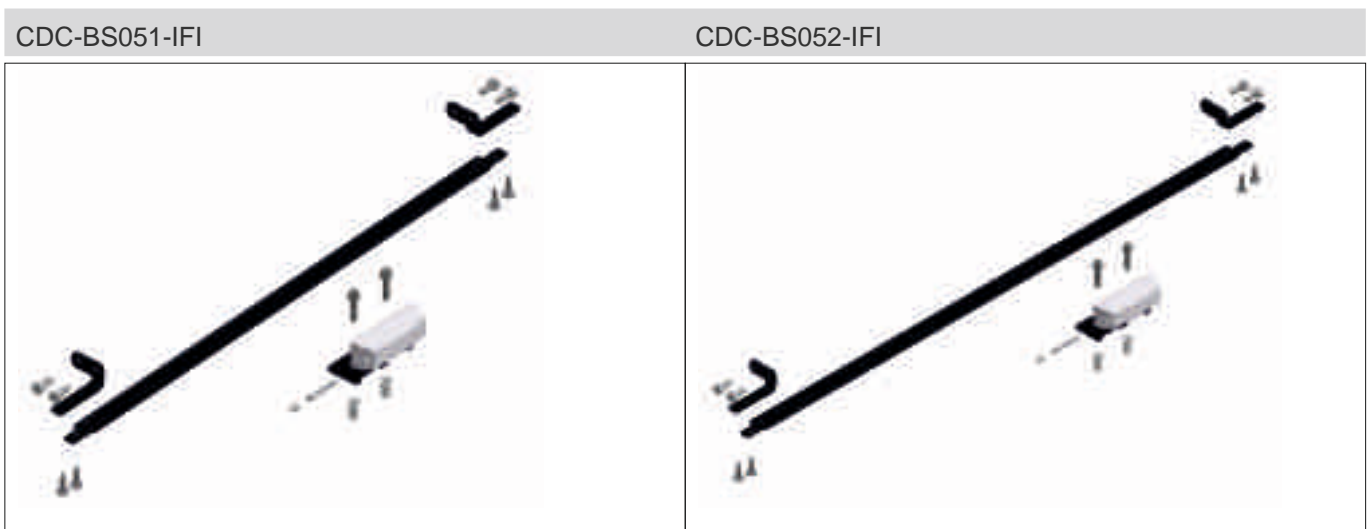
Inward opening bottom-hung window	Inward opening side-hung window
<ul style="list-style-type: none"> • Minimum outer frame face width on the inside 40mm • Minimum outer frame width 700mm (CDC; 350 housing) or 950mm (CDC; 600 housing), for outer frame with 50mm face height on the inside  	<ul style="list-style-type: none"> • Minimum outer frame face width on the inside 40mm DIN-left: <ul style="list-style-type: none"> • standard chain up to 350mm stroke • SBD chain up to 150mm stroke   

Attention: Please beware of CDC instruction for use: check pressure load diagram and minimum sash height / width!

Product information	CDC, 350 housing	CDC, 600 housing
Type	CDC-BS051-IFI	CDC-BS052-IFI
Art. no. set	25.AER.KS	25.AES.KS
Installation type	profile integrated	profile integrated
Frame material used	aluminium windows	aluminium windows
AD drawing number	see reverse	see reverse

Components	CDC-BS051-IFI	CDC-BS052-IFI
Sash bracket / art. no.	CDC-SB021 / 25.AED.KS	CDC-SB021 / 25.AED.KS
Frame bracket / art. no.	CDC-FB007 / 25.ABW.KS	CDC-FB007 / 25.ABW.KS
Cover plate /art. no.	CDC-CP003 / 25.AAP.KS	CDC-CP007 / 25.ABJ.KS
Scope of supply	Complete, including fixing materials	

*See the application overview for CDC bracket sets on the reverse for detailed information about the profile series



Overview profile series incl. outer frame and sash frame

Outer frame profiles

Sash profiles

Alcoa-Kawneer® Series AA 610; AA 610HW

771 576	771 589	771 596	771 965
771 580	771 590	771 597	772 097
771 581	771 591	771 623	772 098
771 582	771 610	771 639	772 104
771 583	771 611	771 641	772 105
771 584	771 621	771 646	772 193
771 585	772 121	771 657	772 804

Alcoa-Kawneer® Series AA 720; AA 720HW; AA 720HI

771 119	773 160	771 174	773 189
771 144	773 161	772 183	773 190
771 145	773 162	772 830	773 191
771 146	773 176	772 831	773 201
771 147	773 183	773 186	773 208
771 148	773 184	773 187	773 209
771 167	773 185	773 188	773 210

AD drawing numbers

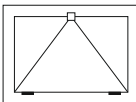
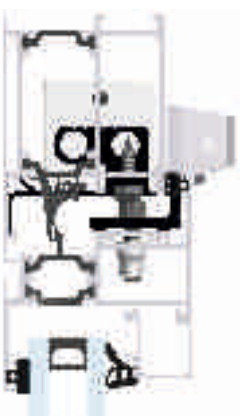
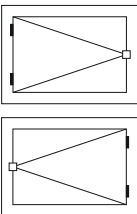

CDC-BS051-IFI

CDC-BS052-IFI

AA720; AA720 HW; AA720 HI	AD00197	AD00197
AA610; AA610 HW	AD00198	AD00198

CDC bracket sets for Aluprof® Series MB-59S*

Application

Inward opening bottom-hung window	Inward opening side-hung window
<ul style="list-style-type: none"> • Minimum outer frame face width on the inside 40mm • Minimum outer frame width 700mm (CDC; 350 housing) or 950mm (CDC; 600 housing), for outer frame with 50mm face height on the inside  	<ul style="list-style-type: none"> • Minimum outer frame face width on the inside 40mm DIN-left: <ul style="list-style-type: none"> • standard chain up to 350mm stroke • SBD chain up to 150mm stroke  

Attention: Please beware of CDC instruction for use: check pressure load diagram and minimum sash height / width!

Product information	CDC, 350 housing	CDC, 600 housing
Type	CDC-BS055-IFI	CDC-BS056-IFI
Art. no. set	25.AEV.KS	25.AEW.KS
Installation type	profile integrated	profile integrated
Frame material used	aluminium windows	aluminium windows
AD drawing number	AD00204	AD00204

Components	CDC-BS055-IFI	CDC-BS056-IFI
Sash bracket / art. no.	CDC-SB013 / 25.ACM.KS	CDC-SB013 / 25.ACM.KS
Frame bracket / art. no.	CDC-FB010 / 25.ACN.KS	CDC-FB010 / 25.ACN.KS
Cover plate /art. no.	CDC-CP023 / 25.AEX.KS	CDC-CP024 / 25.AEY.KS
Scope of supply	Complete, including fixing materials	

*See the application overview for CDC bracket sets on the reverse for detailed information about the profile series



Overview profile series incl. outer frame and sash frame

Outer frame profiles

Sash profiles

Aluprof® Series MB-59S

K518148X
K518151X

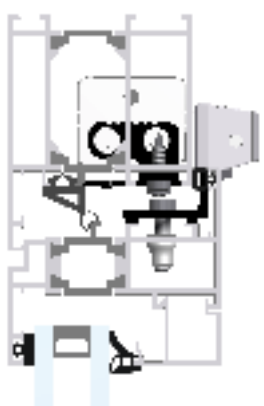
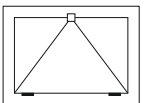
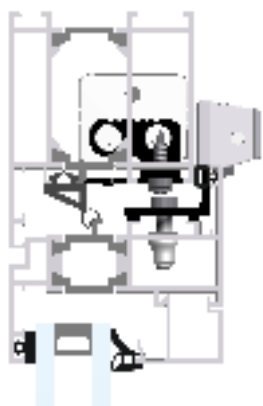
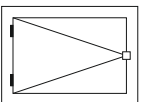
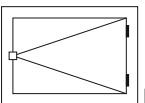
K518173X
K518175X

K518176X

K518160X
K518161X
K518162X

CDC bracket sets for Aluprof® Series MB-60

Application

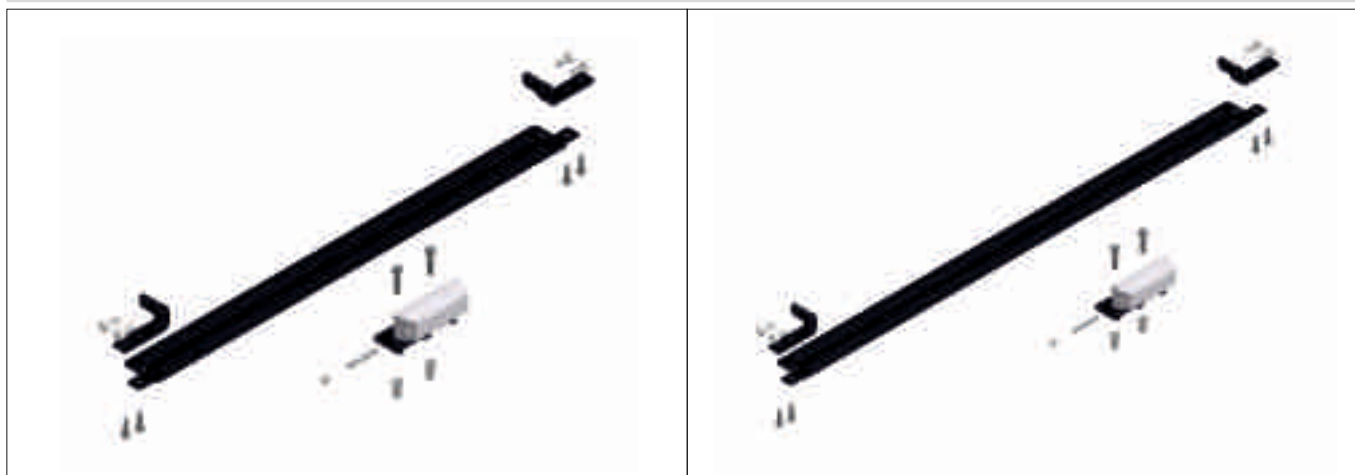
Inward opening bottom-hung window	Inward opening side-hung window
<ul style="list-style-type: none"> • Minimum outer frame face width on the inside 40mm • Minimum outer frame width 700mm (CDC; 350 housing) or 950mm (CDC; 600 housing), for outer frame with 50mm face height on the inside  	<ul style="list-style-type: none"> • Minimum outer frame face width on the inside 40mm DIN-left: <ul style="list-style-type: none"> • standard chain up to 350mm stroke • SBD chain up to 150mm stroke   

Attention: Please beware of CDC instruction for use: check pressure load diagram and minimum sash height / width!

Product information	CDC, 350 housing	CDC, 600 housing
Type	CDC-BS072-IFI	CDC-BS073-IFI
Art. no. set	25.AGJ.KS	25.AGK.KS
Installation type	profile integrated	profile integrated
Frame material used	aluminium windows	aluminium windows
AD drawing number	AD00258	AD00258

Components	CDC-BS072-IFI	CDC-BS073-IFI
Sash bracket / art. no.	CDC-SB013 / 25.ACM.KS	CDC-SB013 / 25.ACM.KS
Frame bracket / art. no.	CDC-FB010 / 25.ACN.KS	CDC-FB010 / 25.ACN.KS
Cover plate /art. no.	CDC-CP029 / 25.AGG.KS	CDC-CP030 / 25.AGH.KS
Scope of supply	Complete, including fixing materials	

*See the application overview for CDC bracket sets on the reverse for detailed information about the profile series



Overview profile series incl. outer frame and sash frame

Outer frame profiles

Sash profiles

Aluprof® Series MB-60

K518052X
K518296X
K518053X

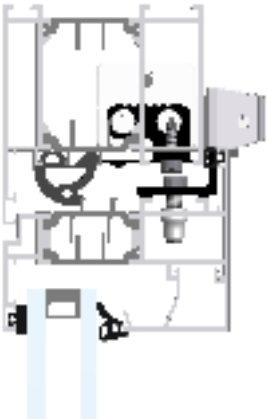
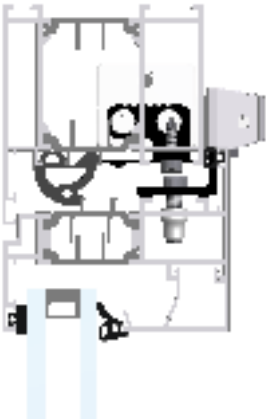
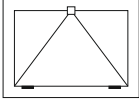
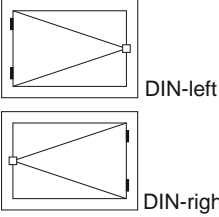
K518054X
K518072X
K518073X

K518077X
K518078X
K518075X

K518094X
K518080X
K518081X

CDC bracket sets for Aluprof® Series MB-70

Application

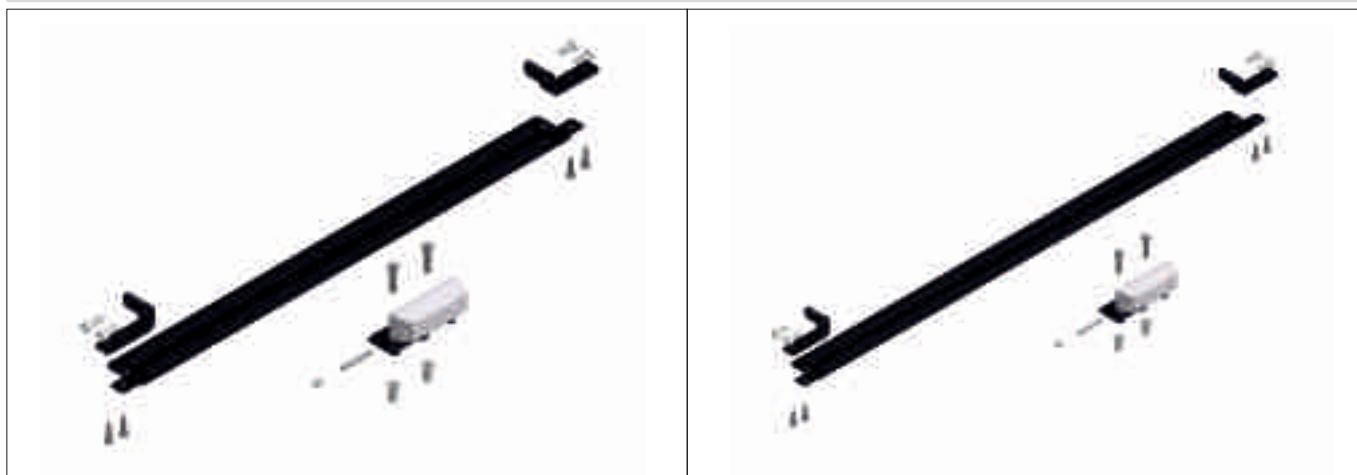
Inward opening bottom-hung window	Inward opening side-hung window
<ul style="list-style-type: none"> • Minimum outer frame face width on the inside 40mm • Minimum outer frame width 700mm (CDC; 350 housing) or 950mm (CDC; 600 housing), for outer frame with 50mm face height on the inside 	<ul style="list-style-type: none"> • Minimum outer frame face width on the inside 40mm DIN-left: <ul style="list-style-type: none"> • standard chain up to 350mm stroke • SBD chain up to 150mm stroke 
	

Attention: Please beware of CDC instruction for use: check pressure load diagram and minimum sash height / width!

Product information	CDC, 350 housing	CDC, 600 housing
Type	CDC-BS074-IFI	CDC-BS075-IFI
Art. no. set	25.AGL.KS	25.AGM.KS
Installation type	profile integrated	profile integrated
Frame material used	aluminium windows	aluminium windows
AD drawing number	AD00259	AD00259

Components	CDC-BS074-IFI	CDC-BS075-IFI
Sash bracket / art. no.	CDC-SB013 / 25.ACM.KS	CDC-SB013 / 25.ACM.KS
Frame bracket / art. no.	CDC-FB010 / 25.ACN.KS	CDC-FB010 / 25.ACN.KS
Cover plate /art. no.	CDC-CP025 / 25.AFC.KS	CDC-CP026 / 25.AFD.KS
Scope of supply	Complete, including fixing materials	

*See the application overview for CDC bracket sets on the reverse for detailed information about the profile series



Overview profile series incl. outer frame and sash frame

Outer frame profiles

Sash profiles

Aluprof® Series MB-70

K518102X
K518104X
K518295X

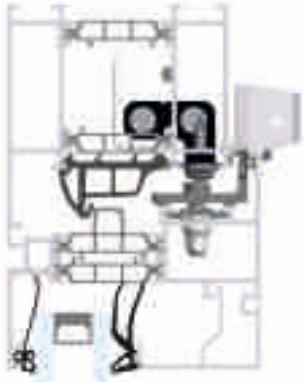
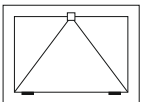
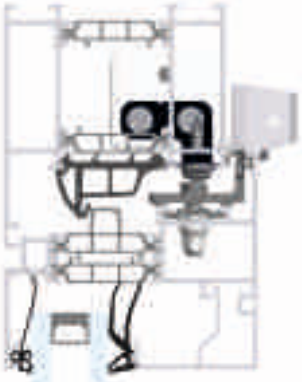
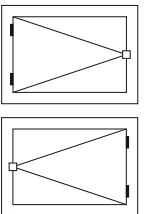
K518103X
K518122X
K518123X

K518125X
K518127X
K518128X

K518111X
K518112X

CDC bracket sets for Gutmann® Series S70, S70+ HW*

Application

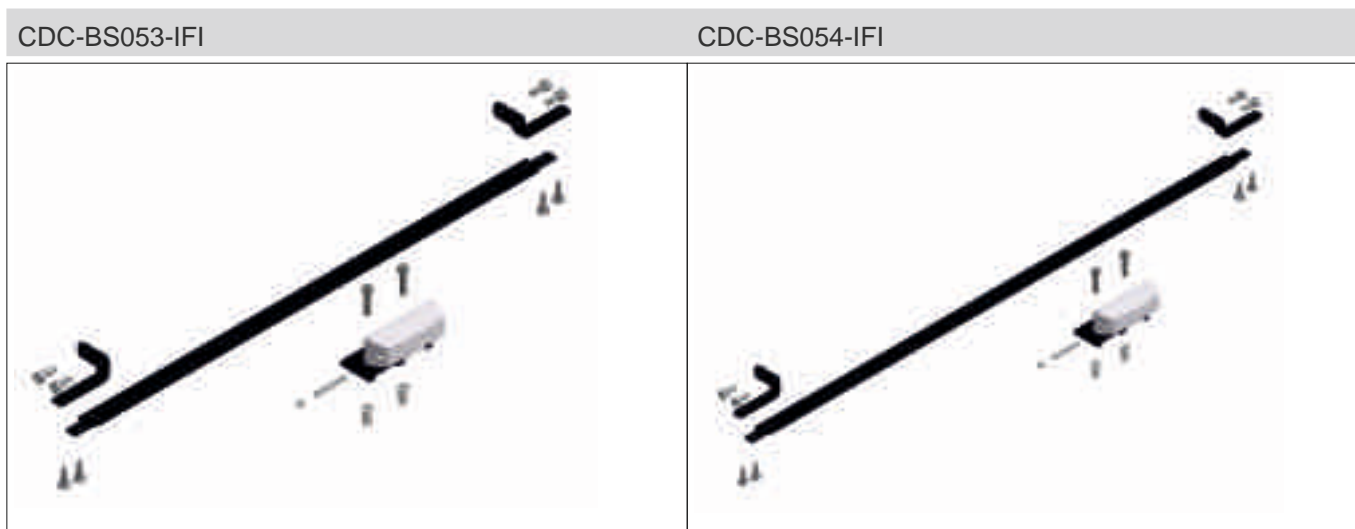
Inward opening bottom-hung window	Inward opening side-hung window
<ul style="list-style-type: none"> • Minimum outer frame face width on the inside 40mm • Minimum outer frame width 700mm (CDC; 350 housing) or 950mm (CDC; 600 housing), for outer frame with 50mm face height on the inside  	<ul style="list-style-type: none"> • Minimum outer frame face width on the inside 40mm DIN-left: <ul style="list-style-type: none"> • standard chain up to 350mm stroke • SBD chain up to 150mm stroke  

Attention: Please beware of CDC instruction for use: check pressure load diagram and minimum sash height / width!

Product information	CDC, 350 housing	CDC, 600 housing
Type	CDC-BS053-IFI	CDC-BS054-IFI
Art. no. set	25.AET.KS	25.AEU.KS
Installation type	profile integrated	profile integrated
Frame material used	aluminium windows	aluminium windows
AD drawing number	AD00199	AD00199

Components	CDC-BS053-IFI	CDC-BS054-IFI
Sash bracket / art. no.	CDC-SB012 / 25.ABG.KS	CDC-SB012 / 25.ABG.KS
Frame bracket / art. no.	CDC-FB007 / 25.ABW.KS	CDC-FB007 / 25.ABW.KS
Cover plate /art. no.	CDC-CP003 / 25.AAP.KS	CDC-CP007 / 25.ABJ.KS
Scope of supply	Complete, including fixing materials	

*See the application overview for CDC bracket sets on the reverse for detailed information about the profile series



Overview profile series incl. outer frame and sash frame

Outer frame profiles

Sash profiles

Gutmann® Series S70

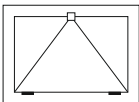
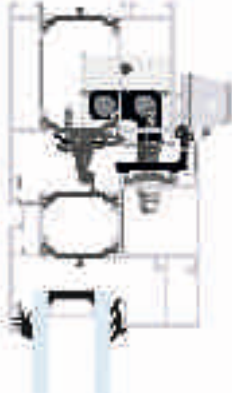
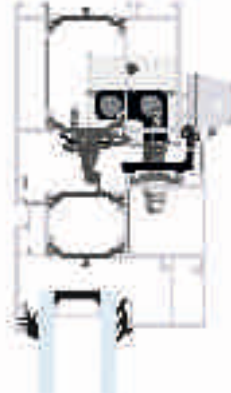
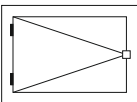
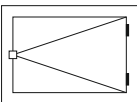
270 103	270 133	270 307	270 202
270 104	270 303	270 308	270 203
270 105	270 304	271 105	270 204
270 111	270 305	271 305	270 205
270 131	270 306		

Gutmann® Series S70+ HW

273 103	273 131	274 105	273 202
273 104	273 133	274 305	273 203
273 105	273 303		
273 106	273 304		
273 107	273 305		
273 108	273 306		
	273 307		
	273 308		

CDC bracket sets for Heroal® Series 065, 065.i*

Application

Inward opening bottom-hung window	Inward opening side-hung window
<ul style="list-style-type: none"> • Minimum outer frame face width on the inside 40mm • Minimum outer frame width 700mm (CDC; 350 housing) or 950mm (CDC; 600 housing), for outer frame with 50mm face height on the inside  	<ul style="list-style-type: none"> • Minimum outer frame face width on the inside 40mm DIN-left: <ul style="list-style-type: none"> • standard chain up to 350mm stroke • SBD chain up to 150mm stroke   

Attention: Please beware of CDC instruction for use: check pressure load diagramm and minimum sash height / width!

Product information	CDC, 350 housing	CDC, 600 housing
Type	CDC-BS033-IFI	CDC-BS039-IFI
Art. no. set	25.ADL.KS	25.ADX.KS
Installation type	profile integrated	profile integrated
Frame material used	aluminium windows	aluminium windows
AD drawing number	AD00104	AD00104

Components	CDC-BS033-IFI	CDC-BS039-IFI
Sash bracket / art. no.	CDC-SB014 / 25.ADG.KS	CDC-SB014 / 25.ADG.KS
Frame bracket / art. no.	CDC-FB007 / 25.ABW.KS	CDC-FB007 / 25.ABW.KS
Cover plate /art. no.	CDC-CP021 / 25.ADJ.KS	CDC-CP022 / 25.ADK.KS
Scope of supply	Complete, including fixing materials	

*See the application overview for CDC bracket sets on the reverse for detailed information about the profile series



Overview profile series incl. outer frame and sash frame

Outer frame profiles

Sash profiles

Heroal® Series 065

9314	9335	9345	9301
9324	9336	9364	9302
9325	9337	9378	9306
9328	9339	9441	9308
9329	9344	9466	9307
9334			19301*

Heroal® Series 065.i

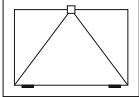
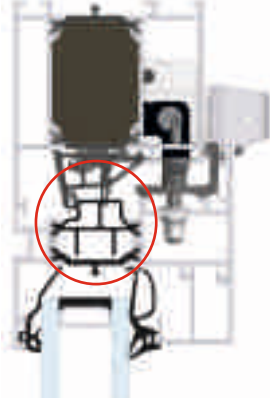
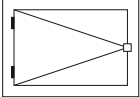
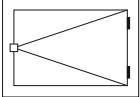
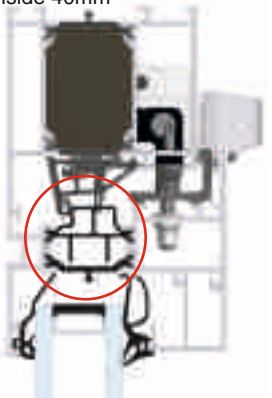
9429	9435		9501
------	------	--	------

* sashes have to be milled in the range of the CDC (compare with AD drawings)

The application example has to be regarded as a D+ H construction-proposal and has to be checked by the user concerning exactness and feasibility on his own authority.

CDC bracket sets for Heroal® Series 065.1, 065i.1*

Application

Inward opening bottom-hung window	Inward opening side-hung window
<ul style="list-style-type: none"> Minimum outer frame face width on the inside 40mm Minimum outer frame width 700mm (CDC; 350 housing) or 950mm (CDC; 600 housing), for outer frame with 50mm face height on the inside sashes have to be milled in the range of the CDC (see red circle)  	<ul style="list-style-type: none"> Minimum outer frame face width on the inside 40mm sashes have to be milled in the range of the CDC (see red circle) DIN-left: <ul style="list-style-type: none"> standard chain up to 350mm stroke SBD chain up to 150mm stroke   

Attention: Please beware of CDC instruction for use: check pressure load diagramm and minimum sash height / width!

Product information	CDC, 350 housing	CDC, 600 housing
Type	CDC-BS033-IFI	CDC-BS039-IFI
Art. no. set	25.ADL.KS	25.ADX.KS
Installation type	profile integrated	profile integrated
Frame material used	aluminium windows	aluminium windows
AD drawing number	AD00120	AD00120

Components	CDC-BS033-IFI	CDC-BS039-IFI
Sash bracket / art. no.	CDC-SB014 / 25.ADG.KS	CDC-SB014 / 25.ADG.KS
Frame bracket / art. no.	CDC-FB007 / 25.ABW.KS	CDC-FB007 / 25.ABW.KS
Cover plate /art. no.	CDC-CP021 / 25.ADJ.KS	CDC-CP022 / 25.ADK.KS
Scope of supply	Complete, including fixing materials	

*See the application overview for CDC bracket sets on the reverse for detailed information about the profile series



Overview profile series incl. outer frame and sash frame

Outer frame profiles

Sash profiles

Heroal® Series 065

19324	19378	19345	19301*
19329	19334	19344	19302*
19325	19336	19441	19307*
19328	19337		
19364	19339		
19314	19335		

Heroal® Series 065.i

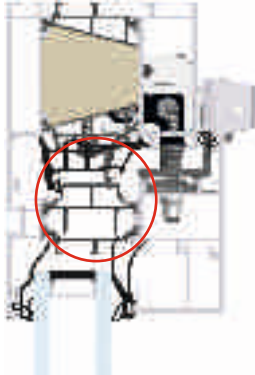
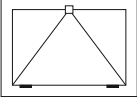
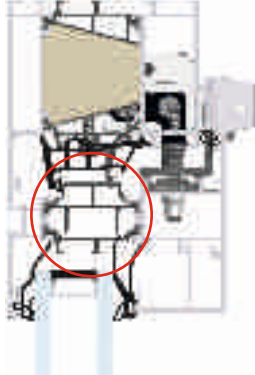
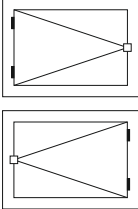
19429	19435		19501*
-------	-------	--	--------

* sashes have to be milled in the range of the CDC (compare with AD drawings)

The right shown application example has to be regarded as a D+ H construction-proposal and has to be checked by the user concerning exactness and feasibility on his own authority.

CDC bracket sets for Heroal® Series 110E*

Application

Inward opening bottom-hung window	Inward opening side-hung window
<ul style="list-style-type: none"> • Minimum outer frame face width on the inside 40mm • Minimum outer frame width 700mm (CDC; 350 housing) or 950mm (CDC; 600 housing), for outer frame with 50mm face height on the inside • sashes have to be milled in the range of the CDC (see red circle)  	<ul style="list-style-type: none"> • Minimum outer frame face width on the inside 40mm sashes have to be milled in the range of the CDC (see red circle) DIN-left: <ul style="list-style-type: none"> • standard chain up to 350mm stroke • SBD chain up to 150mm stroke  

Attention: Please beware of CDC instruction for use: check pressure load diagram and minimum sash height / width!

Product information	CDC, 350 housing	CDC, 600 housing
Type	CDC-BS033-IFI	CDC-BS039-IFI
Art. no. set	25.ADL.KS	25.ADX.KS
Installation type	profile integrated	profile integrated
Frame material used	aluminium windows	aluminium windows
AD drawing number	AD00134	AD00134

Components	CDC-BS033-IFI	CDC-BS039-IFI
Sash bracket / art. no.	CDC-SB014 / 25.ADG.KS	CDC-SB014 / 25.ADG.KS
Frame bracket / art. no.	CDC-FB007 / 25.ABW.KS	CDC-FB007 / 25.ABW.KS
Cover plate /art. no.	CDC-CP021 / 25.ADJ.KS	CDC-CP022 / 25.ADK.KS
Scope of supply	Complete, including fixing materials	

*See the application overview for CDC bracket sets on the reverse for detailed information about the profile series



Overview profile series incl. outer frame and sash frame

Outer frame profiles

Sash profiles

Heroal® Series 110E


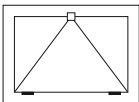
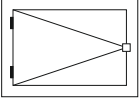
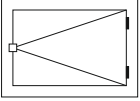

15024	15014	15037	15001*
15029	15078	15044	15002*
15025	15034	15045	15007*
15028	15039	15141	15006*
15064	15035		15008*
15166	15036		

* sashes have to be milled in the range of the CDC (compare with AD drawings)

The right shown application example has to be regarded as a D+ H construction-proposal and has to be checked by the user concerning exactness and feasibility on his own authority.

CDC bracket sets for Heroal® Series 110ES*

Application

Inward opening bottom-hung window	Inward opening side-hung window
<ul style="list-style-type: none"> • Minimum outer frame face width on the inside 40mm • Minimum outer frame width 700mm (CDC; 350 housing) or 950mm (CDC; 600 housing), for outer frame with 50mm face height on the inside  	<ul style="list-style-type: none"> • Minimum outer frame face width on the inside 40mm sashes have to be milled in the range of the CDC DIN-left: <ul style="list-style-type: none"> • standard chain up to 350mm stroke • SBD chain up to 150mm stroke   

Attention: Please beware of CDC instruction for use: check pressure load diagram and minimum sash height / width!

Product information	CDC, 350 housing	CDC, 600 housing
Type	CDC-BS067-IFI	CDC-BS068-IFI
Art. no. set	25.AFW.KS	25.AFX.KS
Installation type	profile integrated	profile integrated
Frame material used	aluminium windows	aluminium windows
AD drawing number	AD00224	AD00224

Components	CDC-BS067-IFI	CDC-BS068-IFI
Sash bracket / art. no.	CDC-SB024 / 25.AFY.KS	CDC-SB024 / 25.AFY.KS
Frame bracket / art. no.	CDC-FB003 / 25.AAN.KS	CDC-FB003 / 25.AAN.KS
Cover plate /art. no.	CDC-CP001 / 25.AAH.KS	CDC-CP006 / 25.ABH.KS
Scope of supply	Complete, including fixing materials	

*See the application overview for CDC bracket sets on the reverse for detailed information about the profile series



Overview profile series incl. outer frame and sash frame

Outer frame profiles

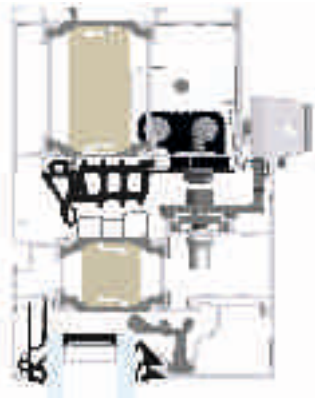
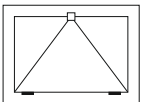
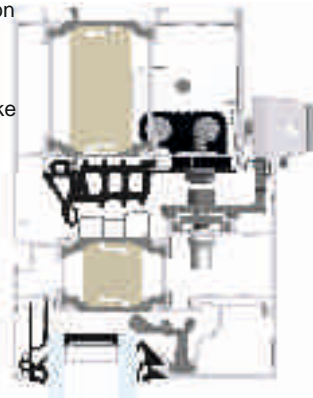
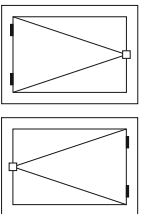
Sash profiles

Heroal® Series 110ES

21024	21046	21135	21201
21025	21064	21136	21202
21027	21066	21137	21207
21028	21112	21139	21301
21029	21114	21145	21302
21034	21124	21146	21307
21035	21125	21164	
21036	21127	21166	
21037	21128	21166	
21039	21129		
21045	21134		

CDC bracket sets for Hueck-Hartmann® Series Lambda 77*

Application

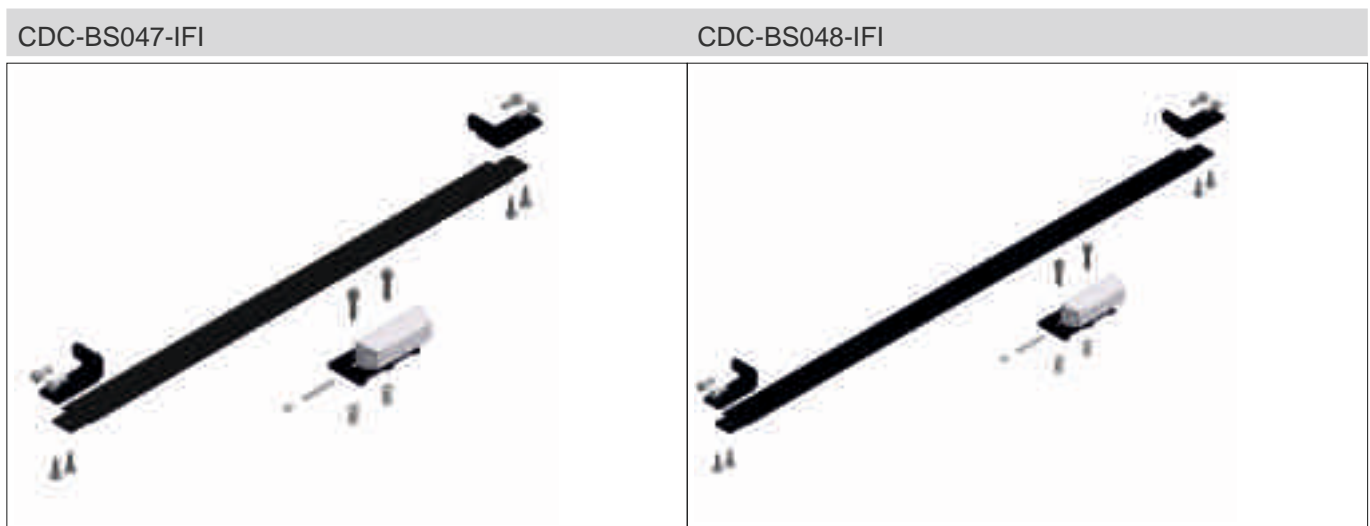
Inward opening bottom-hung window	Inward opening side-hung window
<ul style="list-style-type: none"> • Minimum outer frame face width on the inside 40mm • Minimum outer frame width 700mm (CDC; 350 housing) or 950mm (CDC; 600 housing), for outer frame with 50mm face height on the inside  	<ul style="list-style-type: none"> • Minimum outer frame face width on the inside 40mm DIN-left: <ul style="list-style-type: none"> • standard chain up to 350mm stroke • SBD chain up to 150mm stroke  

Attention: Please beware of CDC instruction for use: check pressure load diagramm and minimum sash height / width!

Product information	CDC, 350 housing	CDC, 600 housing
Type	CDC-BS047-IFI	CDC-BS048-IFI
Art. no. set	25.AEL.KS	25.AEM.KS
Installation type	profile integrated	profile integrated
Frame material used	aluminium windows	aluminium windows
AD drawing number	AD00213	AD00213

Components	CDC-BS047-IFI	CDC-BS048-IFI
Sash bracket / art. no.	CDC-SB019 / 25.AEB.KS	CDC-SB019 / 25.AEB.KS
Frame bracket / art. no.	CDC-FB004 / 25.AAV.KS	CDC-FB004 / 25.AAV.KS
Cover plate /art. no.	CDC-CP004 / 25.AAV.KS	CDC-CP009 / 25.ABL.KS
Scope of supply	Complete, including fixing materials	

*See the application overview for CDC bracket sets on the reverse for detailed information about the profile series



Overview profile series incl. outer frame and sash frame

Outer frame profiles

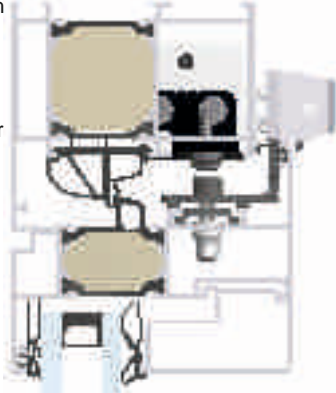
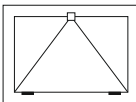
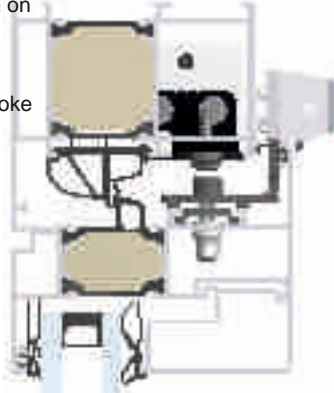
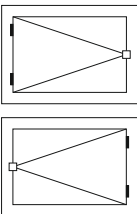
Sash profiles

Hueck-Hartmann® Series Lambda 77

in process

CDC bracket sets for Hueck-Hartmann® Series 1.0*

Application

Inward opening bottom-hung window	Inward opening side-hung window
<ul style="list-style-type: none"> • Minimum outer frame face width on the inside 40mm • Minimum outer frame width 700mm (CDC; 350 housing) or 950mm (CDC; 600 housing), for outer frame with 50mm face height on the inside  	<ul style="list-style-type: none"> • Minimum outer frame face width on the inside 40mm DIN-left: <ul style="list-style-type: none"> • standard chain up to 350mm stroke • SBD chain up to 150mm stroke  

Attention: Please beware of CDC instruction for use: check pressure load diagram and minimum sash height / width!

Product information	CDC, 350 housing	CDC, 600 housing
Type	CDC-BS047-IFI	CDC-BS048-IFI
Art. no. set	25.AEL.KS	25.AEM.KS
Installation type	profile integrated	profile integrated
Frame material used	aluminium windows	aluminium windows
AD drawing number	AD00195	AD00195

Components	CDC-BS047-IFI	CDC-BS048-IFI
Sash bracket / art. no.	CDC-SB019 / 25.AEB.KS	CDC-SB019 / 25.AEB.KS
Frame bracket / art. no.	CDC-FB004 / 25.AAV.KS	CDC-FB004 / 25.AAV.KS
Cover plate /art. no.	CDC-CP004 / 25.AAW.KS	CDC-CP009 / 25.ABL.KS
Scope of supply	Complete, including fixing materials	

*See the application overview for CDC bracket sets on the reverse for detailed information about the profile series



Overview profile series incl. outer frame and sash frame

Outer frame profiles

Sash profiles

Hueck Hartmann® Series 75E

510 108
510 112
510 301
510 302
510 303
510 304
510 305

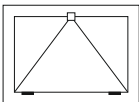
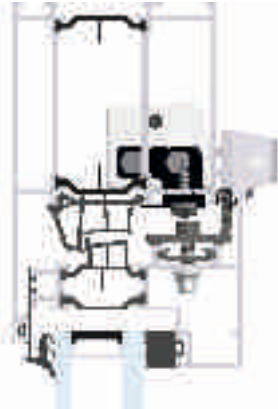
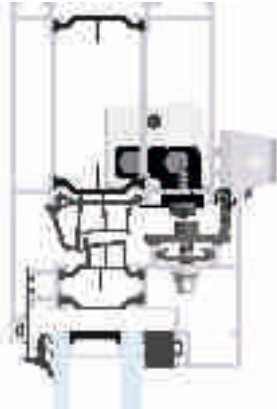
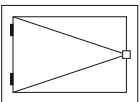
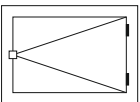
510 307
501 308
510 313
510 314
510 316
521 500

510 200
510 201
510 202
510 210
510 230
510 240

510 241
510 270
510 271

CDC bracket sets for Hueck-Hartmann® Series 72E*

Application

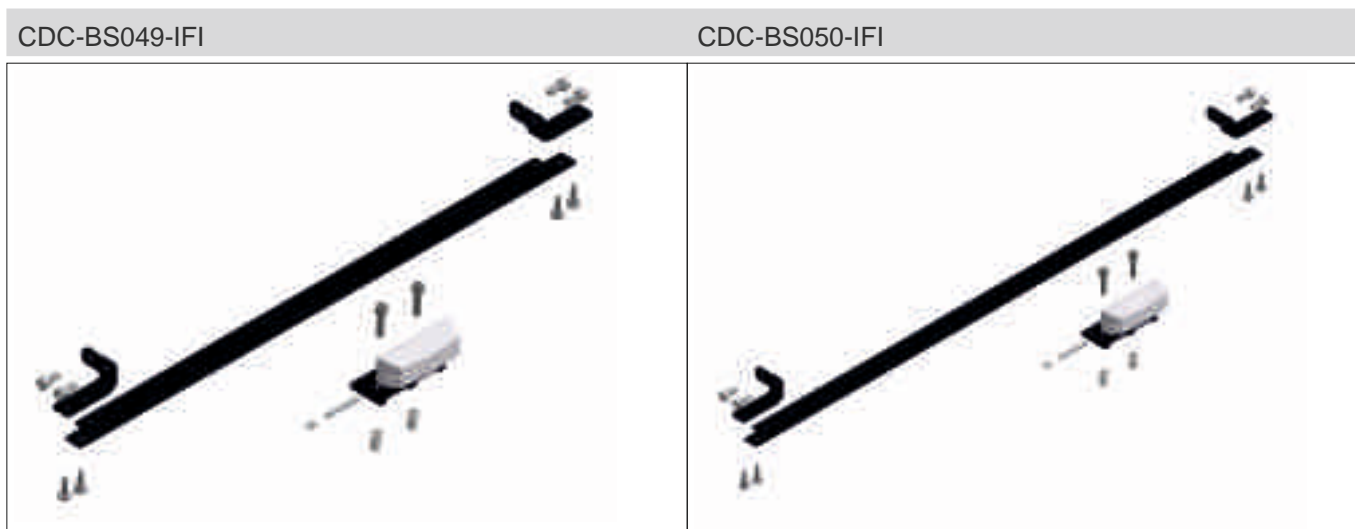
Inward opening bottom-hung window	Inward opening side-hung window
<ul style="list-style-type: none"> • Minimum outer frame face width on the inside 40mm • Minimum outer frame width 700mm (CDC; 350 housing) or 950mm (CDC; 600 housing), for outer frame with 50mm face height on the inside  	<ul style="list-style-type: none"> • Minimum outer frame face width on the inside 40mm DIN-left: <ul style="list-style-type: none"> • standard chain up to 350mm stroke • SBD chain up to 150mm stroke   

Attention: Please beware of CDC instruction for use: check pressure load diagram and minimum sash height / width!

Product information	CDC, 350 housing	CDC, 600 housing
Type	CDC-BS049-IFI	CDC-BS050-IFI
Art. no. set	25.AEN.KS	25.AEP.KS
Installation type	profile integrated	profile integrated
Frame material used	aluminium windows	aluminium windows
AD drawing number	AD00196	AD00196

Components	CDC-BS049-IFI	CDC-BS050-IFI
Sash bracket / art. no.	CDC-SB020 / 25.AEC.KS	CDC-SB020 / 25.AEC.KS
Frame bracket / art. no.	CDC-FB005 / 25.AAZ.KS	CDC-FB005 / 25.AAZ.KS
Cover plate /art. no.	CDC-CP005 / 25.ABA.KS	CDC-CP008 / 25.ABK.KS
Scope of supply	Complete, including fixing materials	

*See the application overview for CDC bracket sets on the reverse for detailed information about the profile series



Overview profile series incl. outer frame and sash frame

Outer frame profiles

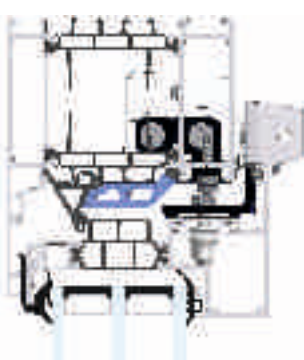
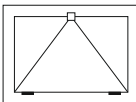
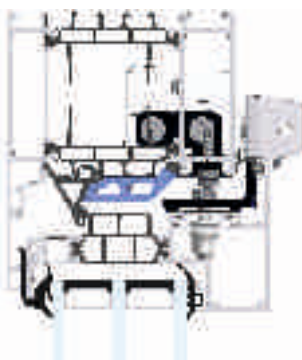
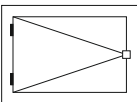
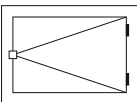
Sash profiles

Hueck Hartmann® Series 72E

760 070	761 070	761 200	768 920
760 090	761 090	761 510	769 000
760 100	761 100	762 040	769 020
760 110	761 110	762 050	769 040
760 120	761 120	768 070	769 120
760 130	761 130	768 170	769 410
760 500	761 150		769 420
760 550	761 170		

CDC bracket sets for Raico® Series Frame+*

Application

Inward opening bottom-hung window	Inward opening side-hung window
<ul style="list-style-type: none"> • Minimum outer frame face width on the inside 40mm • Minimum outer frame width 700mm (CDC; 350 housing) or 950mm (CDC; 600 housing), for outer frame with 50mm face height on the inside  	<ul style="list-style-type: none"> • Minimum outer frame face width on the inside 40mm DIN-left: <ul style="list-style-type: none"> • standard chain up to 350mm stroke • SBD chain up to 150mm stroke   

Attention: Please beware of CDC instruction for use: check pressure load diagram and minimum sash height / width!

Product information	CDC, 350 housing	CDC, 600 housing
Type	CDC-BS062-IFI	CDC-BS063-IFI
Art. no. set	25.AFM.KS	25.AFN.KS
Installation type	profile integrated	profile integrated
Frame material used	aluminium windows	aluminium windows
AD drawing number	AD00225	AD00225

Components	CDC-BS062-IFI	CDC-BS063-IFI
Sash bracket / art. no.	CDC-SB024 / 25.AFY.KS	CDC-SB024 / 25.AFY.KS
Frame bracket / art. no.	CDC-FB007 / 25.ABW.KS	CDC-FB007 / 25.ABW.KS
Cover plate /art. no.	CDC-CP003 / 25.AAP.KS	CDC-CP007 / 25.ABJ.KS
Scope of supply	Complete, including fixing materials	

*See the application overview for CDC bracket sets on the reverse for detailed information about the profile series


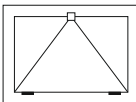

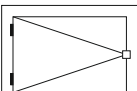
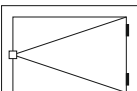


Overview profile series incl. outer frame and sash frame

Outer frame profiles			Sash profiles
Raico® Series Frame+ 65W			
213508 213512 213518 213520	213558 213562 213568 213570	213572 213576 213702	213802 213804 213806
Raico® Series Frame+ 75W			
214508 214512 214518 214520	214558 214562 214568 214570	214572 214576	214802 214804 214806
Raico® Series Frame+ 75W-I			
214008 214012 214018 214020	214058 214062 214068 214070	214072 214076	214302 214304 214306
Raico® Series Frame+ 75WB			
207562 207568	206020 206030	206040	206050
Raico® Series Frame+ 75FF			
210806	206020 206030	206040	206050

CDC bracket sets for Reynaers® Series CS 59*

Application

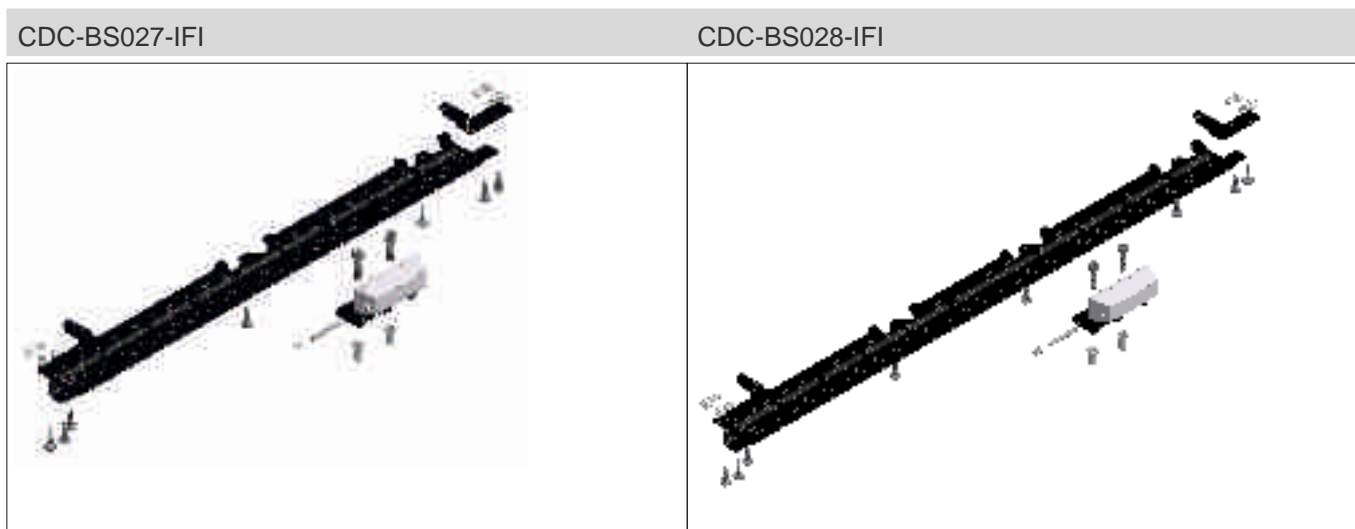
Inward opening bottom-hung window	Inward opening side-hung window
<ul style="list-style-type: none"> • Minimum outer frame face width on the inside 40mm • Minimum outer frame width 700mm (CDC; 350 housing) or 950mm (CDC; 600 housing), for outer frame with 50mm face height on the inside  	<ul style="list-style-type: none"> • Minimum outer frame face width on the inside 40mm DIN-left: <ul style="list-style-type: none"> • standard chain up to 350mm stroke • SBD chain up to 150mm stroke   

Attention: Please beware of CDC instruction for use: check pressure load diagram and minimum sash height / width!

Product information	CDC, 350 housing	CDC, 600 housing
Type	CDC-BS027-IFI	CDC-BS028-IFI
Art. no. set	25.ADA.KS	25.ADB.KS
Installation type	profile integrated	profile integrated
Frame material used	aluminium windows	aluminium windows
AD drawing number	AD00155	AD00155

Components	CDC-BS027-IFI	CDC-BS028-IFI
Sash bracket / art. no.	CDC-SB013 / 25.ACM.KS	CDC-SB013 / 25.ACM.KS
Frame bracket / art. no.	CDC-FB010 / 25.ACN.KS	CDC-FB010 / 25.ACN.KS
Cover plate /art. no.	CDC-CP014 / 25.ACR.KS	CDC-CP016 / 25.ACT.KS
Scope of supply	Complete, including fixing materials	

*See the application overview for CDC bracket sets on the reverse for detailed information about the profile series



Overview profile series incl. outer frame and sash frame

Outer frame profiles

Sash profiles

Reynears® Series CS 59

001.0123.XX
001.0125.XX
001.0140.XX
001.0114.XX


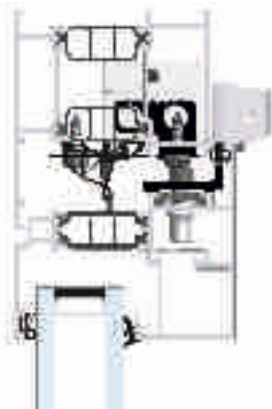
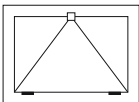
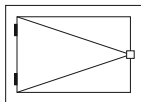
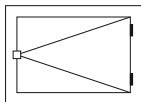
001.0814.XX
001.0817.XX
001.0823.XX
001.0824.XX

001.0847.XX
001.0850.XX
001.0854.XX

001.0102.XX
001.0192.XX
001.0112.XX
001.0121.XX

CDC bracket sets for Reynaers® Series CS 68, 77*

Application

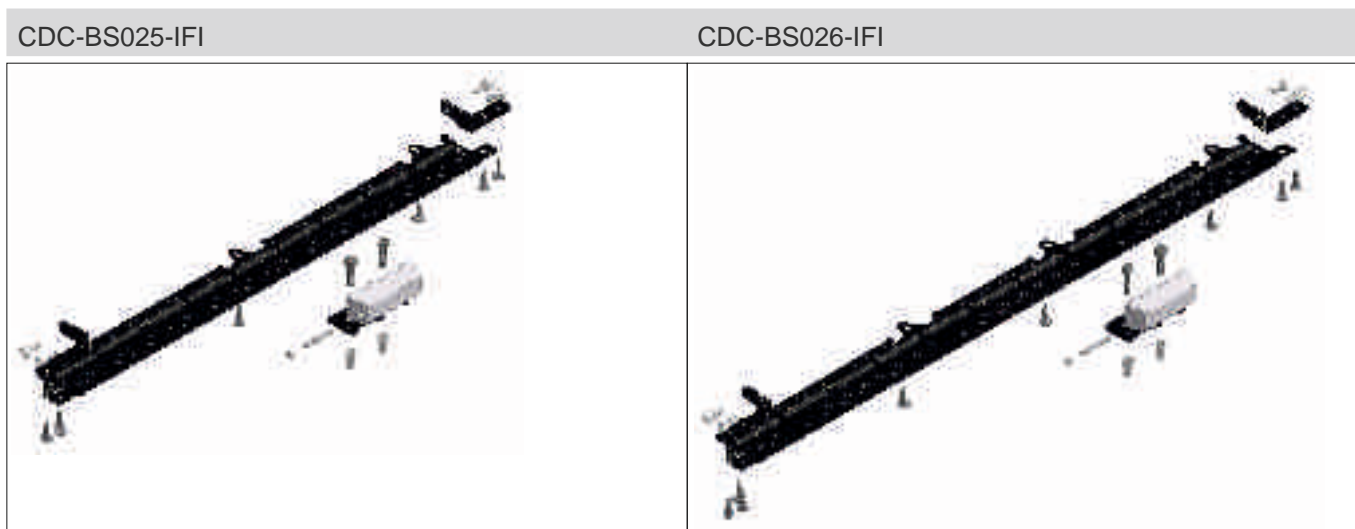
Inward opening bottom-hung window	Inward opening side-hung window
<ul style="list-style-type: none"> • Minimum outer frame face width on the inside 40mm • Minimum outer frame width 700mm (CDC; 350 housing) or 950mm (CDC; 600 housing), for outer frame with 50mm face height on the inside 	<ul style="list-style-type: none"> • Minimum outer frame face width on the inside 40mm DIN-left: <ul style="list-style-type: none"> • standard chain up to 350mm stroke • SBD chain up to 150mm stroke 
	 DIN-left  DIN-right

Attention: Please beware of CDC instruction for use: check pressure load diagram and minimum sash height / width!

Product information	CDC, 350 housing	CDC, 600 housing
Type	CDC-BS025-IFI	CDC-BS026-IFI
Art. no. set	25.ACZ.KS	25.ACZ.KS
Installation type	profile integrated	profile integrated
Frame material used	aluminium windows	aluminium windows
AD drawing number	AD00156	AD00156

Components	CDC-BS025-IFI	CDC-BS026-IFI
Sash bracket / art. no.	CDC-SB013 / 25.ACM.KS	CDC-SB013 / 25.ACM.KS
Frame bracket / art. no.	CDC-FB010 / 25.ACN.KS	CDC-FB010 / 25.ACN.KS
Cover plate /art. no.	CDC-CP013 / 25.ACP.KS	CDC-CP015 / 25.ACS.KS
Scope of supply	Complete, including fixing materials	

*See the application overview for CDC bracket sets on the reverse for detailed information about the profile series



Overview profile series incl. outer frame and sash frame

Outer frame profiles

Sash profiles

Reynears® Series CS 68


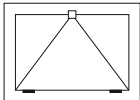
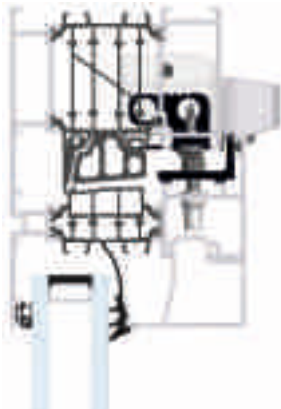
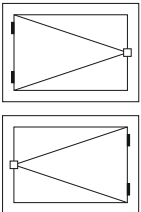
005.0125.XX	005.0824.XX	005.0850.XX	005.0102.XX
005.0140.XX	OK5.0824.XX	OK5.0850.XX	005.0192.XX
005.0114.XX	005.0817.XX	005.0854.XX	005.0112.XX
005.0814.XX	OK5.0817.XX	OK5.0854.XX	005.0121.XX
005.0123.XX	005.0847.XX	005.0506.XX	
005.0823.XX	OK5.0847.XX		

Reynears® Series CS 77

008.3125.XX	008.3824.XX	008.3850.XX	008.3102.XX
008.3140.XX	OK8.3824.XX	OK8.3850.XX	008.3192.XX
008.3114.XX	008.3817.XX	008.3854.XX	008.3112.XX
008.3814.XX	OK8.3817.XX	OK8.3854.XX	008.3121.XX
008.3123.XX	008.3847.XX	008.3506.XX	
008.3823.XX	OK8.3847.XX		

CDC bracket sets for Reynaers® Series CS 86-HI*

Application

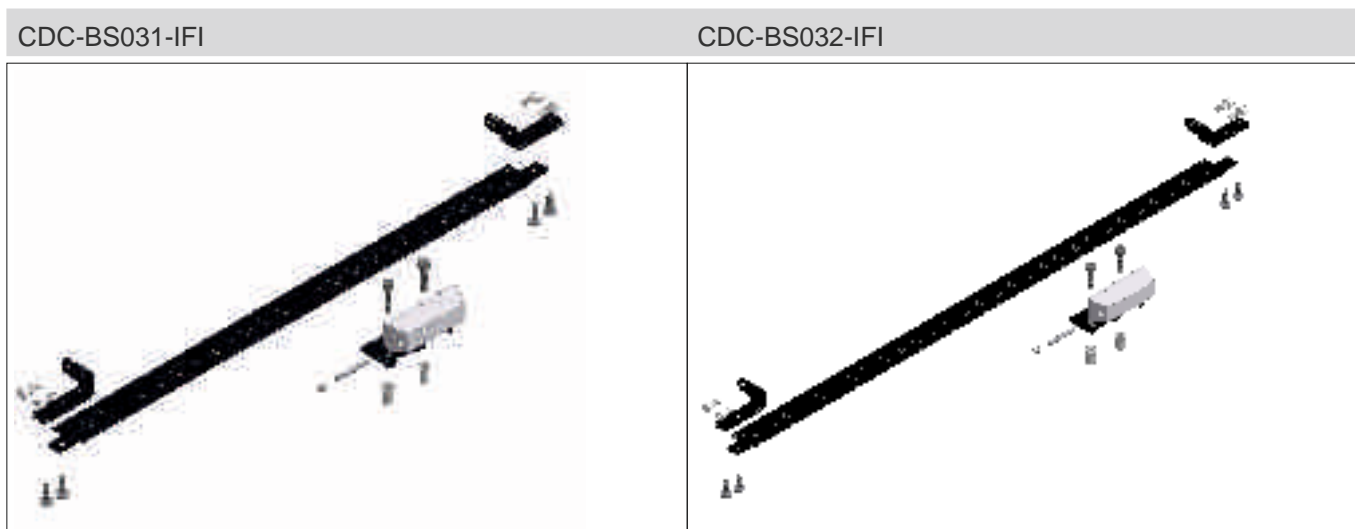
Inward opening bottom-hung window	Inward opening side-hung window
<ul style="list-style-type: none"> • Minimum outer frame face width on the inside 40mm • Minimum outer frame width 700mm (CDC; 350 housing) or 950mm (CDC; 600 housing), for outer frame with 50mm face height on the inside  	<ul style="list-style-type: none"> • Minimum outer frame face width on the inside 40mm DIN-left: <ul style="list-style-type: none"> • standard chain up to 350mm stroke • SBD chain up to 150mm stroke  

Attention: Please beware of CDC instruction for use: check pressure load diagramm and minimum sash height / width!

Product information	CDC, 350 housing	CDC, 600 housing
Type	CDC-BS031-IFI	CDC-BS032-IFI
Art. no. set	25.ADE.KS	25.ADF.KS
Installation type	profile integrated	profile integrated
Frame material used	aluminium windows	aluminium windows
AD drawing number	AD00132	AD00132

Components	CDC-BS031-IFI	CDC-BS032-IFI
Sash bracket / art. no.	CDC-SB013 / 25.ACM.KS	CDC-SB013 / 25.ACM.KS
Frame bracket / art. no.	CDC-FB010 / 25.ACN.KS	CDC-FB010 / 25.ACN.KS
Cover plate /art. no.	CDC-CP019 / 25.ACW.KS	CDC-CP020 / 25.ACX.KS
Scope of supply	Complete, including fixing materials	

*See the application overview for CDC bracket sets on the reverse for detailed information about the profile series



Overview profile series incl. outer frame and sash frame

Outer frame profiles

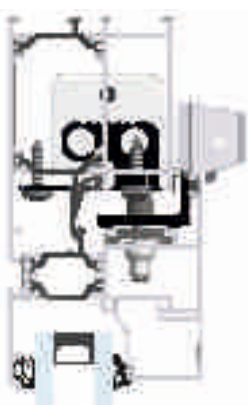
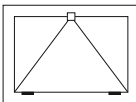
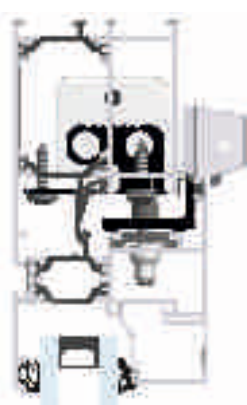
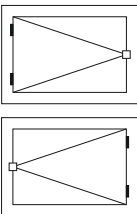
Sash profiles

Reynears® Series CS 86-HI

108.0125.XX	1K8.0824.XX	108.0854.XX	108.0102.XX
108.0140.XX	108.0817.XX	1K8.0854.XX	108.0192.XX
108.0142.XX	1K8.0817.XX	108.0155.XX	108.0112.XX
108.0114.XX	108.0847.XX	1K8.0155.XX	108.0121.XX
108.0116.XX	1K8.0847.XX	108.0100.XX	
108.0123.XX	108.0850.XX	108.0451.XX	
108.0824.XX	1K8.0850.XX	108.0444.XX	
		108.0506.XX	

CDC bracket sets for Reynaers® Series Eco*

Application

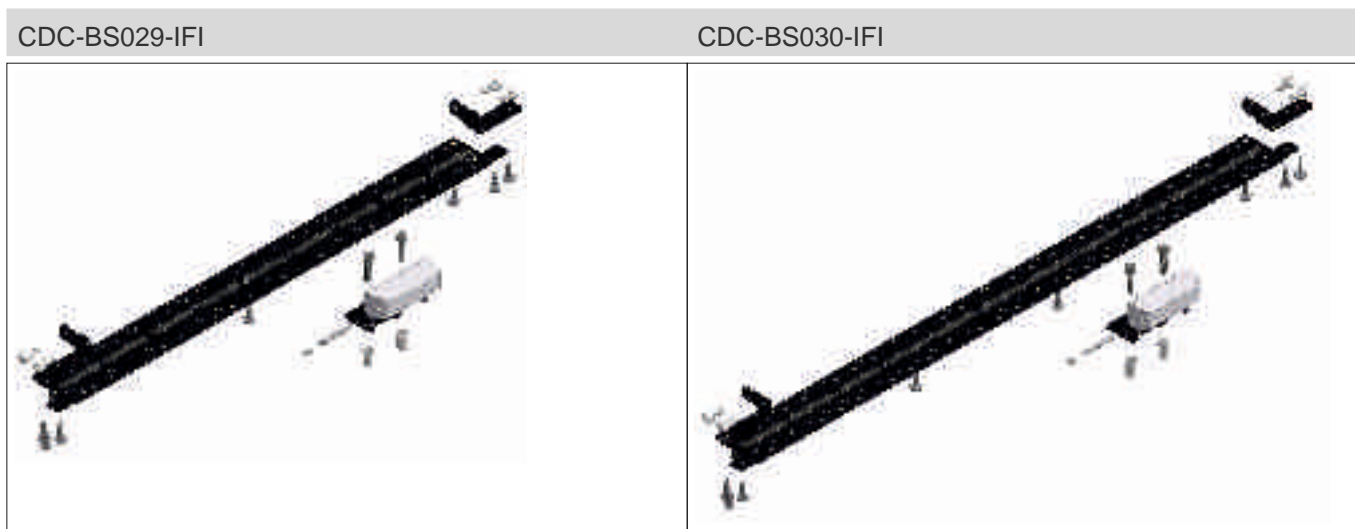
Inward opening bottom-hung window	Inward opening side-hung window
<ul style="list-style-type: none"> • Minimum outer frame face width on the inside 40mm • Minimum outer frame width 700mm (CDC; 350 housing) or 950mm (CDC; 600 housing), for outer frame with 40mm face height on the inside  	<ul style="list-style-type: none"> • Minimum outer frame face width on the inside 40mm DIN-left: <ul style="list-style-type: none"> • standard chain up to 350mm stroke • SBD chain up to 150mm stroke  

Attention: Please beware of CDC instruction for use: check pressure load diagram and minimum sash height / width!

Product information	CDC, 350 housing	CDC, 600 housing
Type	CDC-BS029-IFI	CDC-BS030-IFI
Art. no. set	25.ADC.KS	25.ADD.KS
Installation type	profile integrated	profile integrated
Frame material used	aluminium windows	aluminium windows
AD drawing number	AD00154	AD00154

Components	CDC-BS029-IFI	CDC-BS030-IFI
Sash bracket / art. no.	CDC-SB013 / 25.ACM.KS	CDC-SB013 / 25.ACM.KS
Frame bracket / art. no.	CDC-FB010 / 25.ACN.KS	CDC-FB010 / 25.ACN.KS
Cover plate /art. no.	CDC-CP017 / 25.ACU.KS	CDC-CP018 / 25.ADV.KS
Scope of supply	Complete, including fixing materials	

*See the application overview for CDC bracket sets on the reverse for detailed information about the profile series



Overview profile series incl. outer frame and sash frame

Outer frame profiles

Sash profiles

Reynears® Series Eco

003.0025.XX
003.0014.XX
003.0017.XX


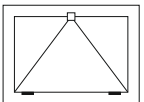
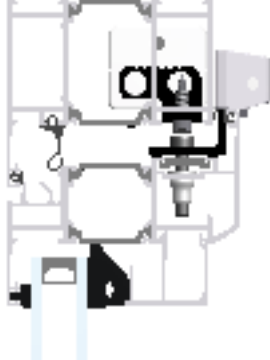
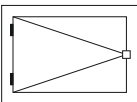
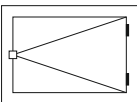
103.0009.XX
003.0451.XX

003.0002.XX
003.0092.XX

003.0012.XX
003.0021.XX

CDC bracket sets for Sapa® Series SFB 1074

Application

Inward opening bottom-hung window	Inward opening side-hung window
<ul style="list-style-type: none"> • Minimum outer frame face width on the inside 40mm • Minimum outer frame width 700mm (CDC; 350 housing) or 950mm (CDC; 600 housing), for outer frame with 40mm face height on the inside  	<ul style="list-style-type: none"> • Minimum outer frame face width on the inside 40mm DIN-left: <ul style="list-style-type: none"> • standard chain up to 350mm stroke • SBD chain up to 150mm stroke   

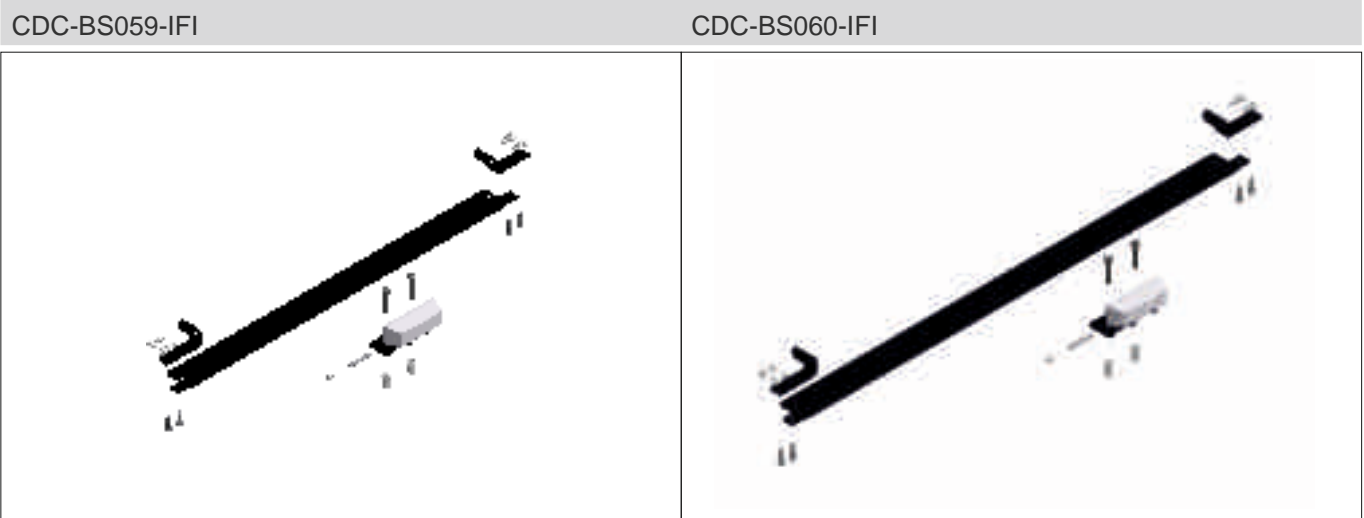
Attention: Please beware of CDC instruction for use: check pressure load diagram and minimum sash height / width!

Product information	CDC, 350 housing	CDC, 600 housing
Type	CDC-BS059-IFI	CDC-BS060-IFI
Art. no. set	25.AFE.KS	25.AFF.KS
Installation type	profile integrated	profile integrated
Frame material used	aluminium windows	aluminium windows
AD drawing number	AD00203	AD00203

Components

Sash bracket / art. no.	CDC-SB022 / 25.AFB.KS	CDC-SB022 / 25.AFB.KS
Frame bracket / art. no.	CDC-FB010 / 25.ACN.KS	CDC-FB010 / 25.ACN.KS
Cover plate /art. no.	CDC-CP025 / 25.AFC.KS	CDC-CP026 / 25.AFD.KS
Scope of supply	Complete, including fixing materials	

*See the application overview for CDC bracket sets on the reverse for detailed information about the profile series



Overview profile series incl. outer frame and sash frame

Outer frame profiles

Sash profiles

Sapa® Series SFB 1074

74002
74118
74005
74102
74217
74112


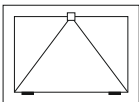
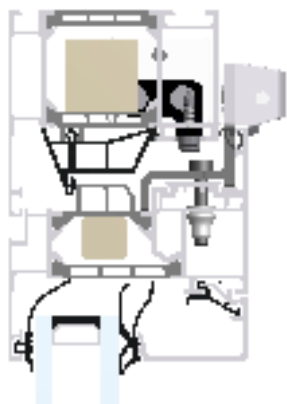
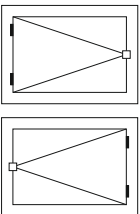
74013
74207
74004
74007
74103
74107

74202
74203
74206
74003
74106

74302
74303

CDC bracket sets for Schüco® Series AWS 65; 70.HI; 75.SI*

Application

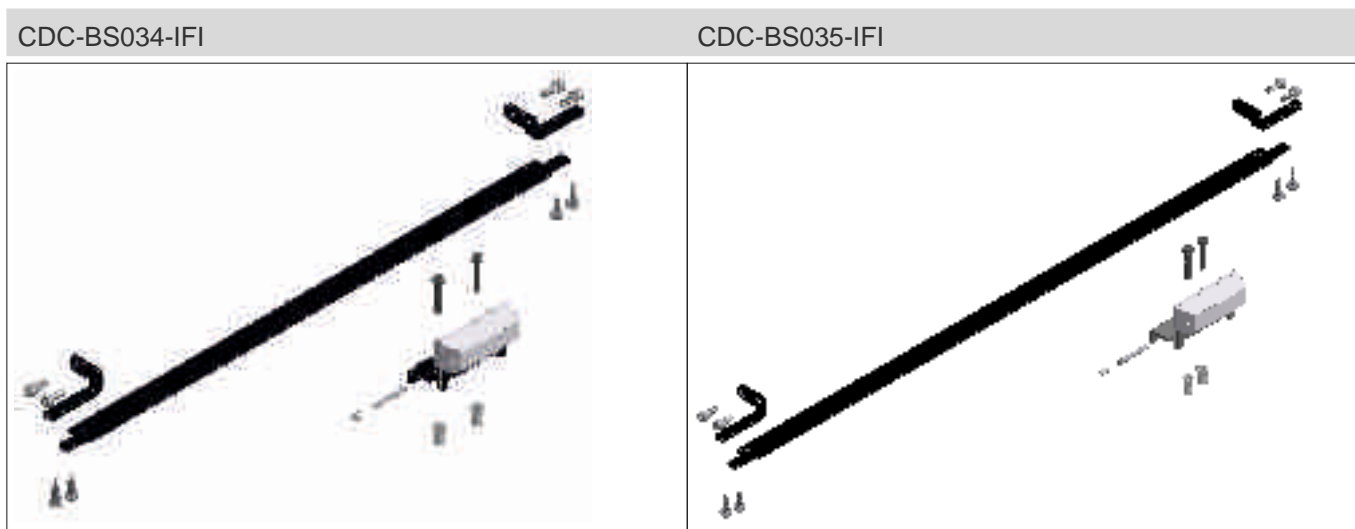
Inward opening bottom-hung window	Inward opening side-hung window
<ul style="list-style-type: none"> • Minimum outer frame face width on the inside 40mm • Minimum outer frame width 700mm (CDC; 350 housing) or 950mm (CDC; 600 housing), for outer frame with 50mm face height on the inside  	<ul style="list-style-type: none"> • Minimum outer frame face width on the inside 40mm DIN-left: <ul style="list-style-type: none"> • standard chain up to 350mm stroke • SBD chain up to 150mm stroke  

Attention: Please beware of CDC instruction for use: check pressure load diagram and minimum sash height / width!

Product information	CDC, 350 housing	CDC, 600 housing
Type	CDC-BS034-IFI	CDC-BS035-IFI
Art. no. set	25.ADN.KS	25.ADP.KS
Installation type	profile integrated	profile integrated
Frame material used	aluminium windows	aluminium windows
AD drawing number	AD00153	AD000153

Components	CDC-BS034-IFI	CDC-BS035-IFI
Sash bracket / art. no.	CDC-SB015 / 25.ADM.KS	CDC-SB015 / 25.ADM.KS
Frame bracket / art. no.	CDC-FB003 / 25.AAN.KS	CDC-FB003 / 25.AAN.KS
Cover plate /art. no.	CDC-CP001 / 25.AAH.KS	CDC-CP006 / 25.ABH.KS
Scope of supply	Complete, including fixing materials	

*See the application overview for CDC bracket sets on the reverse for detailed information about the profile series



Overview profile series incl. outer frame and sash frame

Outer frame profiles

Sash profiles

Schüco® Series AWS 65

363 940	364 260	364 620	364 700
363 950	364 440	364 630	364 710
363 960	364 460	364 650	364 720
363 970	364 470	364 660	374 840
364 020	364 480	364 680	374 850
364 030	364 870	364 690	
364 040	364 880		
364 050	364 890		
364 060			

Schüco® Series AWS 70 HI


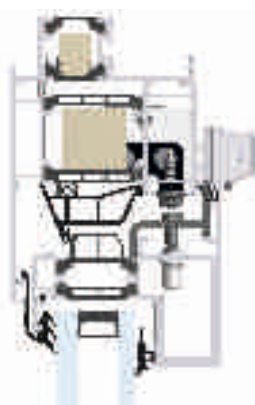
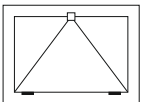
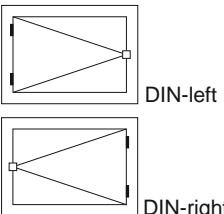
358 170	358 290	358 810	358 590
358 190	358 300	358 820	358 610
358 270	358 230	358 830	358 620
358 200	358 310	358 510	358 650
358 280	358 430	367 190	358 640
358 210	358 320	367 200	358 660
358 220	358 440	367 210	382 940
			382 950
			358 960
			358 960
			358 960

Schüco® Series AWS 75 SI

367 280	382 300	358 980	373 990
367 290	382 310	382 470	374 890
367 300	382 320	382 480	374 910
374 980	382 330	382 490	374 920
382 100	382 340		
382 170	382 380		
382 180	382 390		
382 190	382 400		
382 200			
382 210			

CDC bracket sets for Schüco® Series AWS 70 BS.HI; 70 WF.HI;

Application

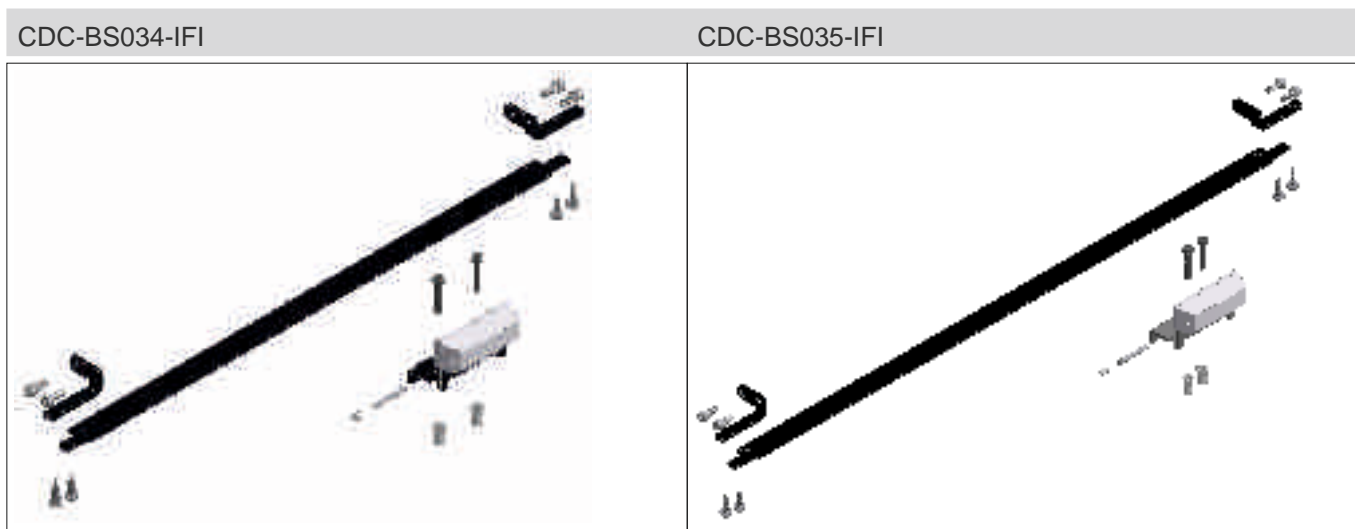
Inward opening bottom-hung window	Inward opening side-hung window
<ul style="list-style-type: none"> • Minimum outer frame face width on the inside 40mm • Minimum outer frame width 700mm (CDC; 350 housing) or 950mm (CDC; 600 housing), for outer frame with 50mm face height on the inside 	<ul style="list-style-type: none"> • Minimum outer frame face width on the inside 40mm DIN-left: <ul style="list-style-type: none"> • standard chain up to 350mm stroke • SBD chain up to 150mm stroke 
	

Attention: Please beware of CDC instruction for use: check pressure load diagram and minimum sash height / width!

Product information	CDC, 350 housing	CDC, 600 housing
Type	CDC-BS034-IFI	CDC-BS035-IFI
Art. no. set	25.ADN.KS	25.ADP.KS
Installation type	profile integrated	profile integrated
Frame material used	aluminium windows	aluminium windows
AD drawing number	AD00118	AD000118

Components	CDC-BS034-IFI	CDC-BS035-IFI
Sash bracket / art. no.	CDC-SB015 / 25.ADM.KS	CDC-SB015 / 25.ADM.KS
Frame bracket / art. no.	CDC-FB003 / 25.AAN.KS	CDC-FB003 / 25.AAN.KS
Cover plate /art. no.	CDC-CP001 / 25.AAH.KS	CDC-CP006 / 25.ABH.KS
Scope of supply	Complete, including fixing materials	

*See the application overview for CDC bracket sets on the reverse for detailed information about the profile series



Overview profile series incl. outer frame and sash frame

Outer frame profiles

Sash profiles

Schüco® Series AWS 70 BS.HI

366 220

366 230

366 410
366 430

366 570

Schüco® Series AWS 70 WF.HI

366 730
366 740

366 410
366 430

366 570
366 790

366 800

Schüco® Series AWS 75 BS.HI

366 340


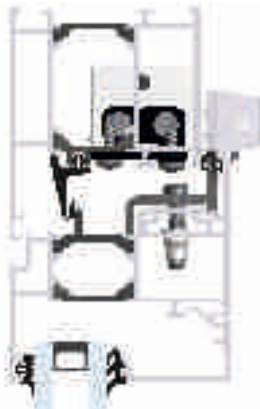
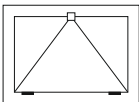
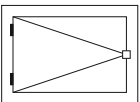
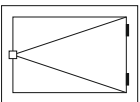
366 350

366 470
366 490

367 340

CDC bracket sets for Schüco® Series Royal C; S 65; 65H; 70; 70H; 70BS; 70FF*

Application

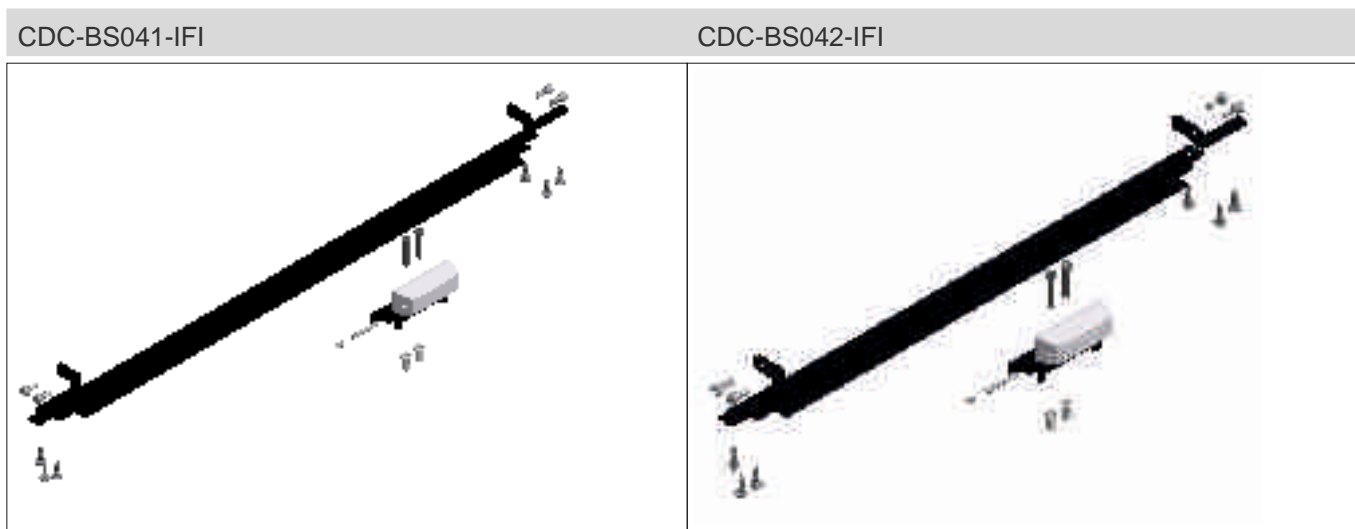
Inward opening bottom-hung window	Inward opening side-hung window
<ul style="list-style-type: none"> • Minimum outer frame face width on the inside 40mm • Minimum outer frame width 700mm (CDC; 350 housing) or 950mm (CDC; 600 housing), for outer frame with 50mm face height on the inside 	<ul style="list-style-type: none"> • Minimum outer frame face width on the inside 40mm DIN-left: <ul style="list-style-type: none"> • standard chain up to 350mm stroke • SBD chain up to 150mm stroke 
	 DIN-left  DIN-right

Attention: Please beware of CDC instruction for use: check pressure load diagram and minimum sash height / width!

Product information	CDC, 350 housing	CDC, 600 housing
Type	CDC-BS041-IFI	CDC-BS042-IFI
Art. no. set	25.AEE.KS	25.AEF.KS
Installation type	profile integrated	profile integrated
Frame material used	aluminium windows	aluminium windows
AD drawing number	AD00186	AD00186

Components	CDC-BS041-IFI	CDC-BS042-IFI
Sash bracket / art. no.	CDC-SB015 / 25.ADM.KS	CDC-SB015 / 25.ADM.KS
Frame bracket / art. no.	CDC-FB003 / 25.AAN.KS	CDC-FB003 / 25.AAN.KS
Cover plate /art. no.	CDC-CP002 / 25.AAJ.KS	CDC-CP010 / 25.ABM.KS
Scope of supply	Complete, including fixing materials	

*See the application overview for CDC bracket sets on the reverse for detailed information about the profile series



Overview profile series incl. outer frame and sash frame

Outer frame profiles

Sash profiles

Schüco® Series Royal C

340 070	340 150	340 820	340 270
340 080	340 160	340 830	340 180
340 090	340 170	340 900	340 190
340 100	340 320	340 950	340 200
340 140			340 210
			340 640

Schüco® Series Royal S 65, Royal S 65H

166 040	166 280	166 460	166 470
166 080	166 320	166 570	166 480
166 220/166 230	166 330/166 670	166 810	166 490
166 240	166 340/166 680	166 900	166 640
166 250	166 440	166 940	319 050(RS 65H)
166 260	166 450	197 110	
166 270			

Schüco® Series Royal S 70, Royal S 70H

310 500	310 580	310 630	310 840
310 510	310 590	310 950	310 850
310 520	310 600	310 930	311 040
310 530	310 610		
310 540	310 620		

Schüco® Series Royal S 70BS



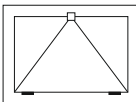
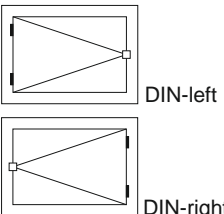
312 790	310 260	360 420	360 470
312 800	310 270	360 460	360 480

Schüco® Series Royal S 70FF

179 710	310 260	360 420	360 470
179 730	310 270	360 460	360 480

CDC bracket sets for Schüco® Series Royal S 65.HI; 65H.HI; 70.HI; 70H.HI; 70BS.HI; 75.HI; 75BS.HI; 75FF.HI*

Application

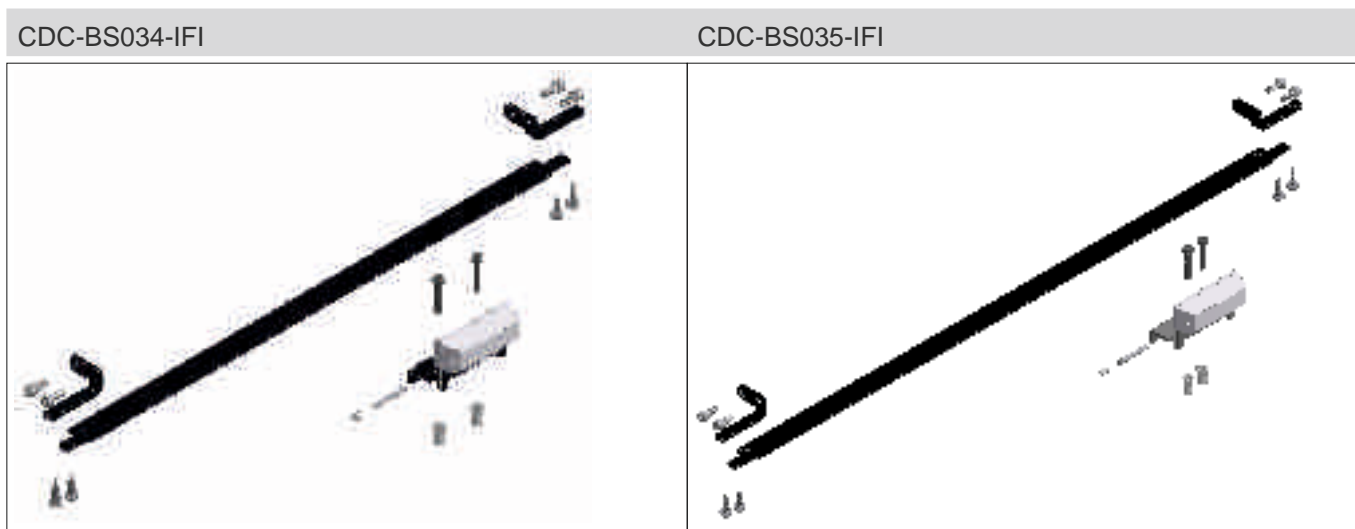
Inward opening bottom-hung window	Inward opening side-hung window
<ul style="list-style-type: none"> Minimum outer frame face width on the inside 40mm Minimum outer frame width 700mm (CDC; 350 housing) or 950mm (CDC; 600 housing), for outer frame with 50mm face height on the inside 	<ul style="list-style-type: none"> Minimum outer frame face width on the inside 40mm DIN-left: <ul style="list-style-type: none"> standard chain up to 350mm stroke SBD chain up to 150mm stroke 
	

Attention: Please beware of CDC instruction for use: check pressure load diagram and minimum sash height / width!

Product information	CDC, 350 housing	CDC, 600 housing
Type	CDC-BS034-IFI	CDC-BS035-IFI
Art. no. set	25.ADN.KS	25.ADP.KS
Installation type	profile integrated	profile integrated
Frame material used	aluminium windows	aluminium windows
AD drawing number	AD00185	AD00185

Components	CDC-BS034-IFI	CDC-BS035-IFI
Sash bracket / art. no.	CDC-SB015 / 25.ADM.KS	CDC-SB015 / 25.ADM.KS
Frame bracket / art. no.	CDC-FB003 / 25.AAN.KS	CDC-FB003 / 25.AAN.KS
Cover plate /art. no.	CDC-CP001 / 25.AAH.KS	CDC-CP006 / 25.ABH.KS
Scope of supply	Complete, including fixing materials	

*See the application overview for CDC bracket sets on the reverse for detailed information about the profile series



Overview profile series incl. outer frame and sash frame

Outer frame profiles

Sash profiles

Schüco® Series Royal S 65.HI, Royal S 65H.HI

370 080	370 250	370 430	370 660
370 090	370 260	370 440/370 450	370 670
370 100	370 270	370 460/370 470	370 680
370 110	370 280	370 480	370 880
370 220	370 360	370 600	370 840(RS 65H.HI)
370 230	370 370	370 630	
370 240			

Schüco® Series Royal S 70.HI; Royal S 70H.HI

320 100	320 190	320 400	320 440
320 110	320 200	320 790	320 450
320 120	320 210	320 890	320 460
320 130	320 220	320 900/320 910	320 570
320 140	320 230	320 920	
320 180	320 320/320 340		

Schüco® Series Royal S 70BS.HI

360 240	360 250	360 550	360 560
---------	---------	---------	---------

Schüco® Series Royal S 75.HI

380 080	380 190	380 340	380 520
380 090	380 200	380 350	380 530
380 110	380 210	380 370	380 540
380 120	380 220	380 390	
380 130	380 230	380 280	
380 180			

Schüco® Series Royal S 75BS.HI

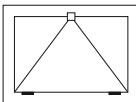
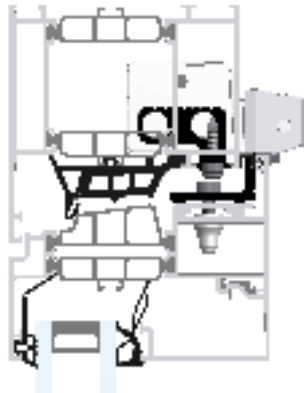
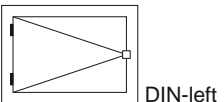
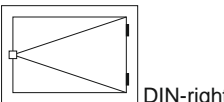
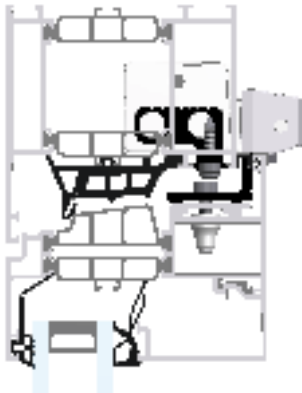
312 840	312 850	319 650	319 630
---------	---------	---------	---------

Schüco® Series Royal S 75FF.HI

380 640	380 660	380 860	319 630
---------	---------	---------	---------

CDC bracket sets for Sykon[®] Series 70; 75*

Application

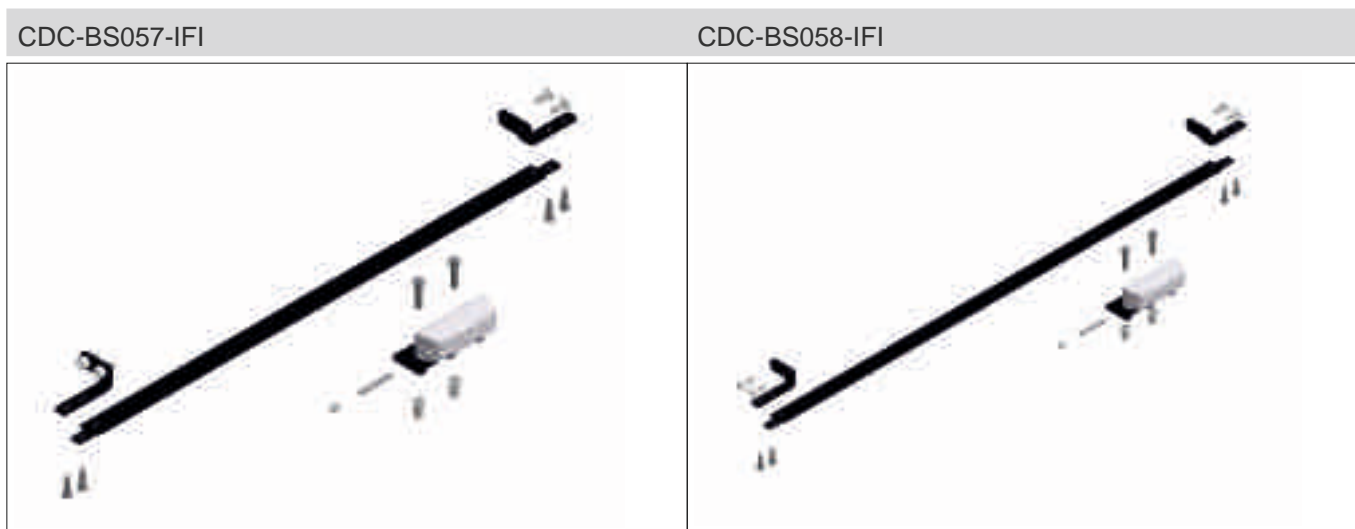
Inward opening bottom-hung window	Inward opening side-hung window
<ul style="list-style-type: none"> • Minimum outer frame face width on the inside 40mm • Minimum outer frame width 700mm (CDC; 350 housing) or 950mm (CDC; 600 housing), for outer frame with 50mm face height on the inside  	<ul style="list-style-type: none"> • Minimum outer frame face width on the inside 40mm DIN-left: <ul style="list-style-type: none"> • standard chain up to 350mm stroke • SBD chain up to 150mm stroke   

Attention: Please beware of CDC instruction for use: check pressure load diagram and minimum sash height / width!

Product information	CDC, 350 housing	CDC, 600 housing
Type	CDC-BS057-IFI	CDC-BS058-IFI
Art. no. set	25.AEZ.KS	25.AFA.KS
Installation type	profile integrated	profile integrated
Frame material used	aluminium windows	aluminium windows
AD drawing number	AD00223	AD00223

Components	CDC-BS057-IFI	CDC-BS058-IFI
Sash bracket / art. no.	CDC-SB023 / 25.AFP.KS	CDC-SB023 / 25.AFP.KS
Frame bracket / art. no.	CDC-FB013 / 25.AFT.KS	CDC-FB013 / 25.AFT.KS
Cover plate /art. no.	CDC-CP027 / 25.AFR.KS	CDC-CP028 / 25.AFS.KS
Scope of supply	Complete, including fixing materials	

*See the application overview for CDC bracket sets on the reverse for detailed information about the profile series



Overview profile series incl. outer frame and sash frame

Outer frame profiles

Sash profiles

Sykon® Series 70

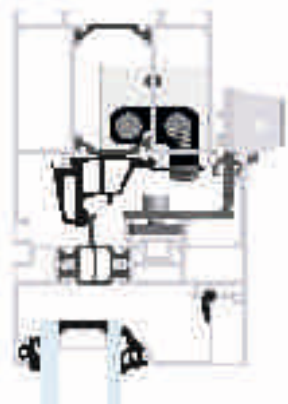
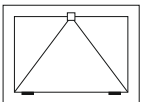
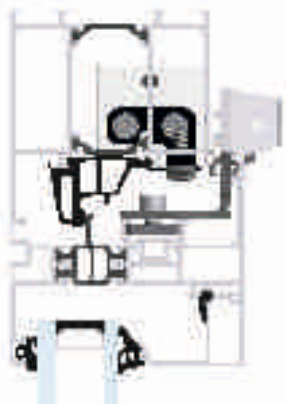
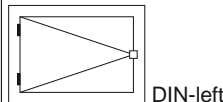
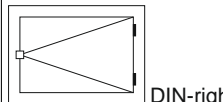
7070	7039	7024	7065
7071	7040	7025	
7037	7041	7032	
7038	7042	7035	

Sykon® Series 75

8070	8039	8025	8072
8071	8040	8032	8024
8037	8041	8035	8092
8038	8042	8065	

CDC bracket sets for Wicona® Series Wicline 65; 77*

Application

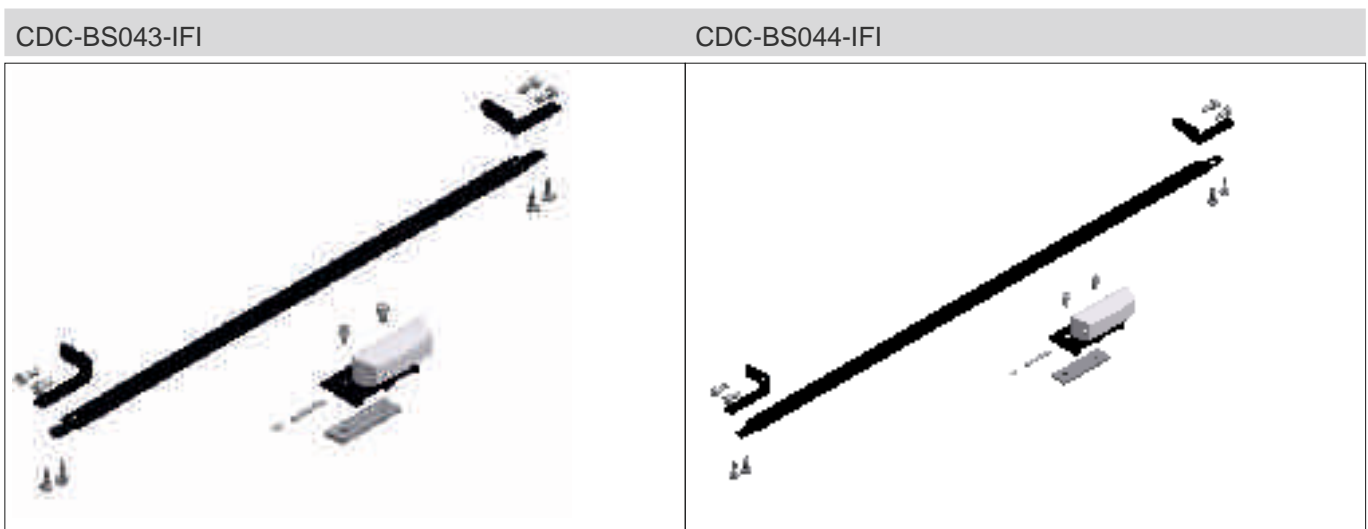
Inward opening bottom-hung window	Inward opening side-hung window
<ul style="list-style-type: none"> • Minimum outer frame face width on the inside 40mm • Minimum outer frame width 700mm (CDC; 350 housing) or 950mm (CDC; 600 housing), for outer frame with 50mm face height on the inside  	<ul style="list-style-type: none"> • Minimum outer frame face width on the inside 40mm DIN-left: <ul style="list-style-type: none"> • standard chain up to 350mm stroke • SBD chain up to 150mm stroke   

Attention: Please beware of CDC instruction for use: check pressure load diagram and minimum sash height / width!

Product information	CDC, 350 housing	CDC, 600 housing
Type	CDC-BS043-IFI	CDC-BS044-IFI
Art. no. set	25.AEG.KS	25.AEH.KS
Installation type	profile integrated	profile integrated
Frame material used	aluminium windows	aluminium windows
AD drawing number	see reverse	see reverse

Components	CDC-BS043-IFI	CDC-BS044-IFI
Sash bracket / art. no.	CDC-SB017 / 25.ADZ.KS	CDC-SB017 / 25.ADZ.KS
Frame bracket / art. no.	CDC-FB003 / 25.AAN.KS	CDC-FB003 / 25.AAN.KS
Cover plate /art. no.	CDC-CP003 / 25.AAP.KS	CDC-CP007 / 25.ABJ.KS
Scope of supply	Complete, including fixing materials	

*See the application overview for CDC bracket sets on the reverse for detailed information about the profile series



Overview profile series incl. outer frame and sash frame

Outer frame profiles	Sash profiles
----------------------	---------------

Wicona® Series Wicline 65			
101 1003	101 1105	101 1122	101 1041
101 1008	101 1106	101 1130	101 1042
101 1102	101 1107	101 1133	101 1043
101 1103	101 1111	101 1134	101 1071
101 1104	101 1112		101 1072
			101 1073

Wicona® Series Wicline 65 concealed sash			
101 1003*	101 1105*	101 1122*	101 1052
101 1008*	101 1106*	101 1130*	101 1053
101 1102*	101 1107*	101 1133*	101 1054
101 1103*	101 1111*	101 1134*	101 1055
101 1104*	101 1112*		

* only with additional profile 301 1019

Wicona® Series Wicline 77			
101 1203	101 1305	101 1322	101 1241
101 1208	101 1306	101 1330	101 1242
101 1302	101 1307	101 1333	101 1243
101 1303	101 1311	101 1334	101 1271
101 1304	101 1312		101 1272


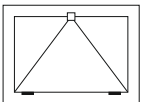

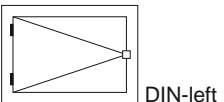
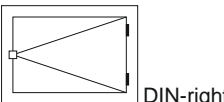
Wicona® Series Wicline 77 concealed sash			
101 1203*	101 1311*	101 1322*	101 1252
101 1208*	101 1312*	101 1330*	101 1253
101 1302*	101 1305*	101 1333*	101 1254
101 1303*	101 1306*	101 1334*	101 1255
101 1304*	101 1307*		

* only with additional profile 301 1019

AD drawing number	CDC-BS043-IFI	CDC-BS044-IFI
Wicline 65	AD00187	AD00187
Wicline 65 concealed sash	AD00188	AD00188
Wicline 77	AD00189	AD00189
Wicline 77 concealed sash	AD00190	AD00190

CDC bracket sets for Wicona® Series Wicline 60E; 70E*

Application

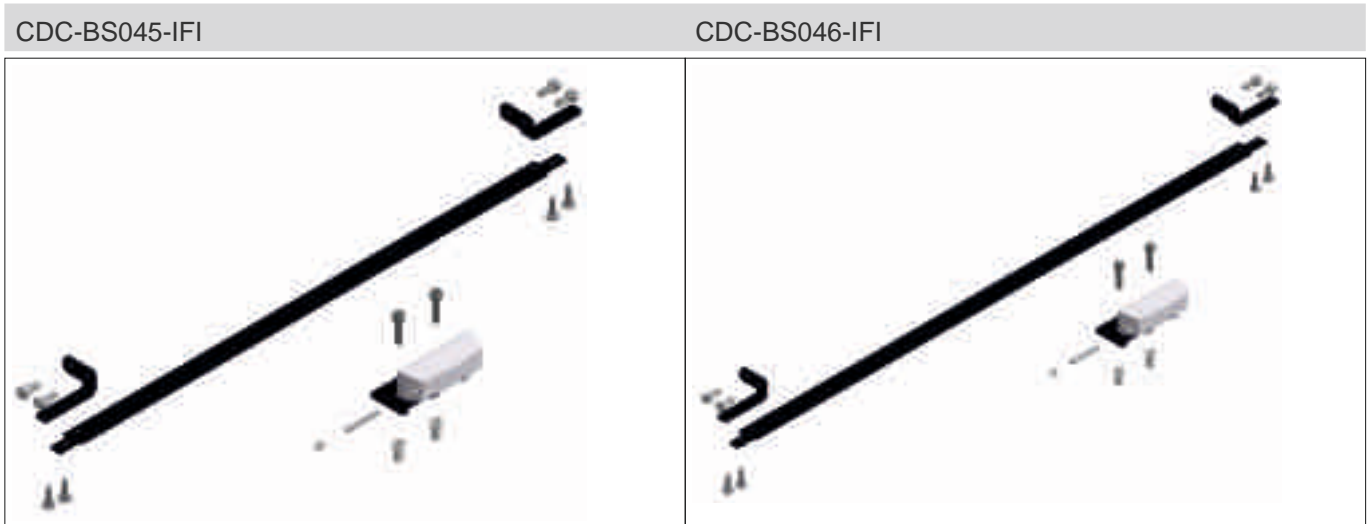
Inward opening bottom-hung window	Inward opening side-hung window
<ul style="list-style-type: none"> • Minimum outer frame face width on the inside 40mm • Minimum outer frame width 700mm (CDC; 350 housing) or 950mm (CDC; 600 housing), for outer frame with 50mm face height on the inside  	<ul style="list-style-type: none"> • Minimum outer frame face width on the inside 40mm DIN-left: <ul style="list-style-type: none"> • standard chain up to 350mm stroke • SBD chain up to 150mm stroke   

Attention: Please beware of CDC instruction for use: check pressure load diagram and minimum sash height / width!

Product information	CDC, 350 housing	CDC, 600 housing
Type	CDC-BS045-IFI	CDC-BS046-IFI
Art. no. set	25.AEJ.KS	25.AEK.KS
Installation type	profile integrated	profile integrated
Frame material used	aluminium windows	aluminium windows
AD drawing number	see reverse	see reverse

Components	CDC-BS045-IFI	CDC-BS046-IFI
Sash bracket / art. no.	CDC-SB018 / 25.AEA.KS	CDC-SB018 / 25.AEA.KS
Frame bracket / art. no.	CDC-FB003 / 25.AAN.KS	CDC-FB003 / 25.AAN.KS
Cover plate /art. no.	CDC-CP003 / 25.AAP.KS	CDC-CP007 / 25.ABJ.KS
Scope of supply	Complete, including fixing materials	

*See the application overview for CDC bracket sets on the reverse for detailed information about the profile series



Overview profile series incl. outer frame and sash frame

Outer frame profiles			Sash profiles
Wicona® Series Wicline 60E			
101 1443 101 1453 101 1460	101 1461 101 1462 101 1463	101 1464 101 1465 101 1467	101 1491 101 1492 101 1493
Wicona® Series Wicline 60E concealed sash			
101 1443* 101 1453* 101 1460*	101 1461* 101 1462* 101 1463*	101 1464* 101 1465* 101 1467*	101 1496
* only with additional profile 530 015			
Wicona® Series Wicline 70E			
101 1503 101 1504 101 1510	101 1511 101 1512 101 1513	101 1514 101 1515 101 1517	101 1541 101 1542 101 1543
Wicona® Series Wicline 70E concealed sash			
101 1503 101 1504 101 1510	101 1511 101 1512 101 1513	101 1514 101 1515 101 1517	101 1072 101 1073 101 1539 101 1546
101 1072 101 1073			

AD drawing numbers	CDC-BS045-IFI	CDC-BS046-IFI
Wicline 60E	AD00191	AD00191
Wicline 60E concealed sash	AD00193	AD00193
Wicline 70E	AD00192	AD00192
Wicline 70E concealed sash	AD00194	AD00194

CDC bracket sets

Mounting solutions for projected top-hung windows, parallel outward opening windows

Arguments for D+H installation solutions

Efficiency

- Time-saving installation through optimum adaptation of the bracket set to the particular profile system

EN 12101-2 tested

- Solution tested as complete system for smoke and heat vent application according to DIN EN 12101-2

Quick fitting

- Brackets are ready for immediate fitting – no additional adaptation work on the brackets is necessary

Complete scope of supply

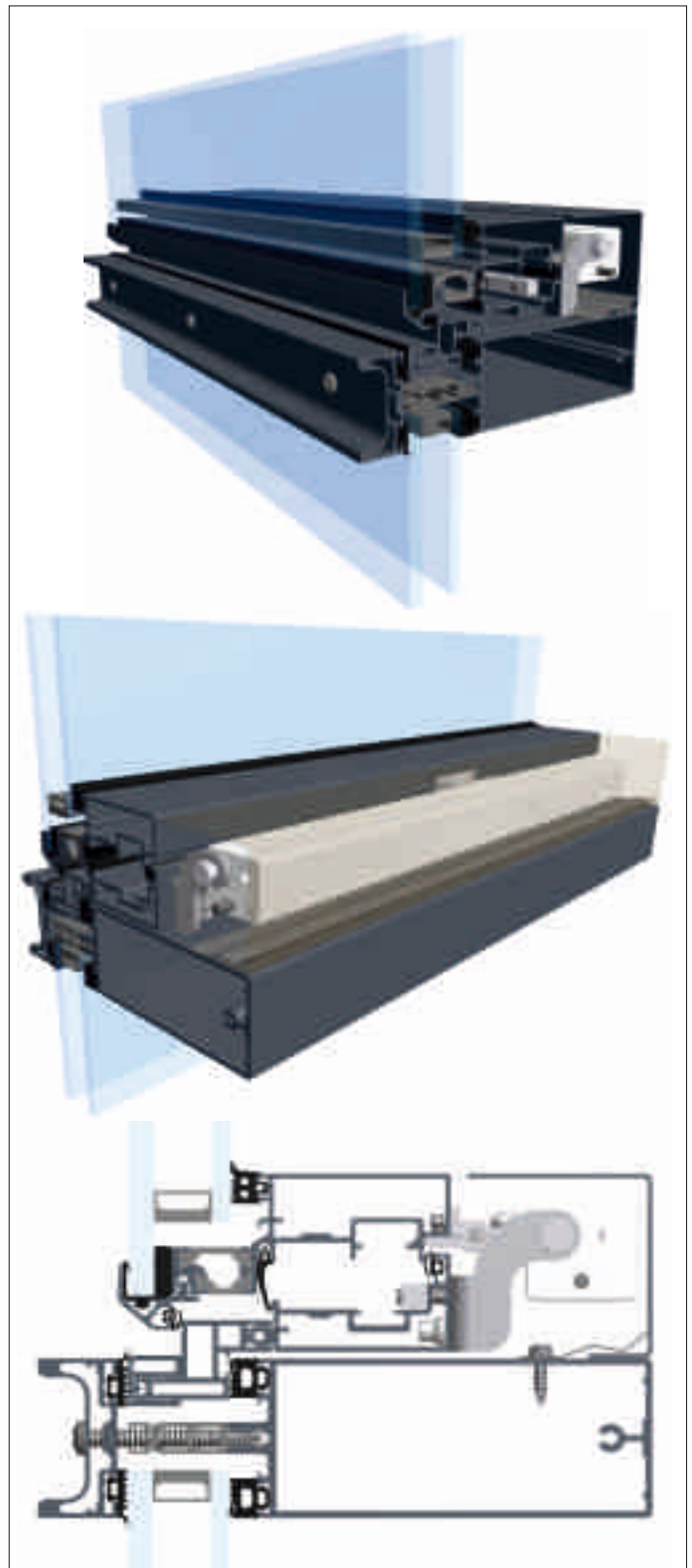
- All materials necessary for fixing are included in the scope of supply of the bracket set

Simple chain detachment

- In case of service, the chain can also be detached when the window is closed

Documentation

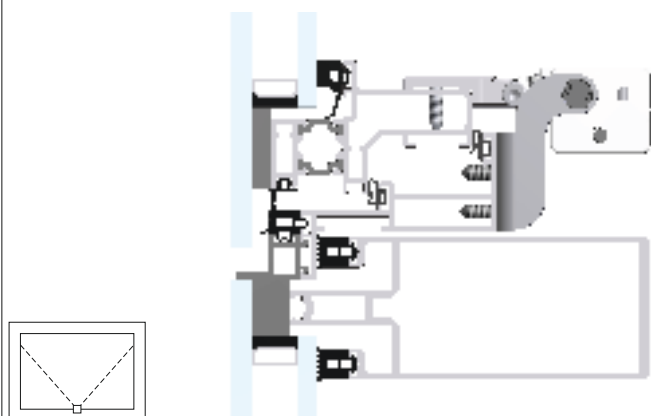
- Application drawings suitable for window and facade manufacturers available



CDC bracket sets for Aluprof® Series MB-SR 50

Application

Projected top-hung vent, outward opening



Attention: Please beware of CDC instruction for use: check pressure load diagramm and minimum sash height / width!

Product information

CDC, all versions

Type	CDC-BS071-VFO	
Art. no. set	25.AGE.KS	
Installation type	profile integrated	
Frame material used	aluminium windows	
AD drawing number	AD00234	

Components

CDC-BS071-VFO

Sash bracket / art. no.	CDC-SB016 / 25.ADT.KS	
Frame bracket / art. no.	CDC-FB016 / 25.AGF.KS	
Cover plate /art. no.	–	
Scope of supply	Complete, including fixing materials	

CDC-BS071-VFO



Overview profile series incl. outer frame and sash frame

Outer frame profiles

Sash profiles

Aluprof® Series MB-SR 50

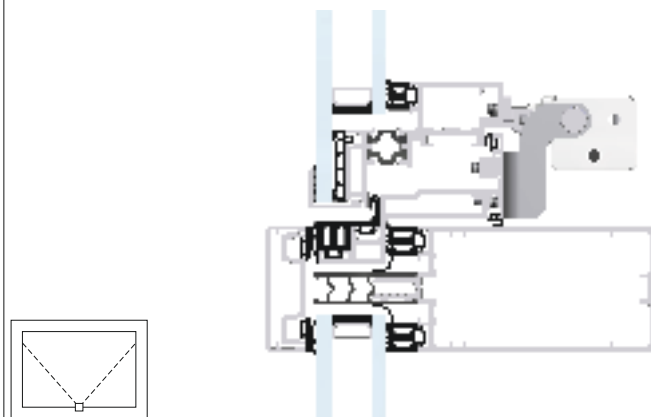
K 518096X

K 413998X

CDC bracket sets for Gutmann® Series S70 SK

Application

Projected top-hung vent, outward opening



Attention: Please beware of CDC instruction for use: check pressure load diagram and minimum sash height / width!

Product information

CDC, all versions

Type	CDC-BS021-VFO	
Art. no. set	25.ACE.KS	
Installation type	profile integrated	
Frame material used	aluminium windows	
AD drawing number	AD00068	

Components

CDC-BS021-VFO

Sash bracket / art. no.	CDC-SB008 / 25.ABD.KS	
Frame bracket / art. no.	CDC-FB008 / 25.ACF.KS	
Cover plate /art. no.	–	
Scope of supply	Complete, including fixing materials	

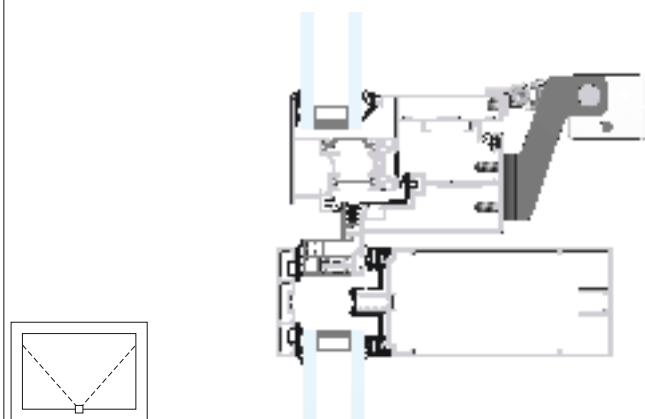
CDC-BS021-VFO



CDC bracket sets for Raico® Series Wing 50 SK-R

Application

Projected top-hung vent, outward opening



Attention: Please beware of CDC instruction for use: check pressure load diagramm and minimum sash height / width!

Product information

CDC, all versions

Type	CDC-BS065-VFO	
Art. no. set	25.AFL.KS	
Installation type	profile integrated	
Frame material used	aluminium windows	
AD drawing number	AD00069	

Components

CDC-BS065-VFO

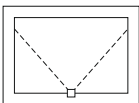
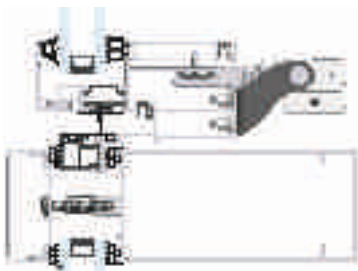
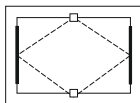
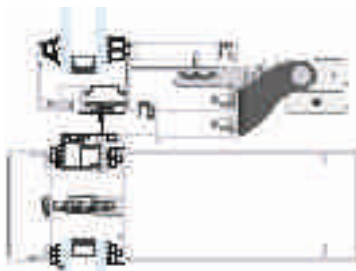
Sash bracket / art. no.	CDC-SB008 / 25.ABD.KS	
Frame bracket / art. no.	CDC-FB014 / 25.AFU.KS	
Cover plate /art. no.	–	
Scope of supply	Complete, including fixing materials	

CDC-BS065-VFO



CDC bracket sets for Reynaers® Series CW50

Application

Projected top-hung vent	Parallel outward opening window
 	 

Attention: Please beware of CDC instruction for use: check pressure load diagramm and minimum sash height / width!

Product information

CDC, all versions

Type	CDC-BS038-VFO	
Art. no. set	25.ADW.KS	
Installation type	surfaced	
Frame material used	aluminium windows	
AD drawing number	AD00151	

Components

CDC-BS038-VFO

Sash bracket / art. no.	CDC-SB016 / 25.ADT.KS	
Frame bracket / art. no.	CDC-FB012 / 25.ADU.KS	
Cover plate /art. no.	–	
Scope of supply	Complete, including fixing materials	

CDC-BS038-VFO



CDC bracket sets for Sapa® Series SFB 1074

Application

Projected top-hung vent, outward opening



Attention: Please beware of CDC instruction for use: check pressure load diagramm and minimum sash height / width!

Product information

CDC, all versions

Type	CDC-BS069-VFO	
Art. no. set	25.AFZ.KS	
Installation type	surfaced mounting	
Frame material used	aluminium windows	
AD drawing number	AD00230	

Components

CDC-BS069-VFO

Sash bracket / art. no.	CDC-SB025 / 25.AGB.KS	
Frame bracket / art. no.	CDC-FB014 / 25.AFU.KS	
Cover plate /art. no.		
Scope of supply	Complete, including fixing materials	

CDC-BS069-VFO



Overview profile series incl. outer frame and sash frame

Outer frame profiles

Sash profiles

Sapa® Series SFB 1074

74311

|

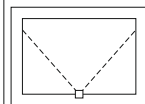
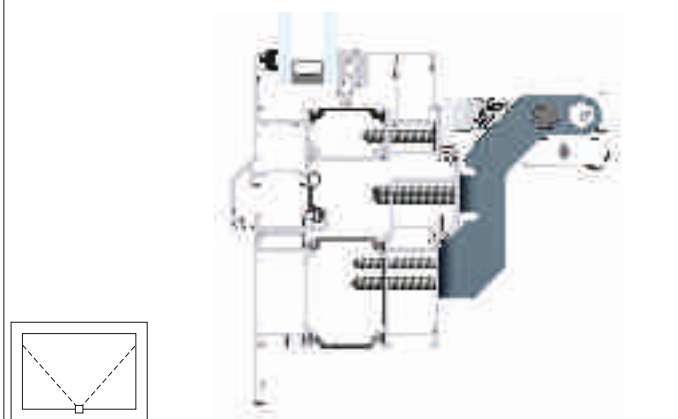
|

74053

CDC bracket sets for Sapa® Series SFB 1074 with additional profile

Application

Projected top-hung vent, outward opening



Attention: Please beware of CDC instruction for use: check pressure load diagramm and minimum sash height / width!

Product information

CDC, all versions

Type	CDC-BS070-VFO	
Art. no. set	25.AG.C.KS	
Installation type	surfaced mounting	
Frame material used	aluminium windows	
AD drawing number	AD00231	

Components

CDC-BS070-VFO

Sash bracket / art. no.	CDC-SB025 / 25.AGB.KS	
Frame bracket / art. no.	CDC-FB015 / 25.AGD.KS	
Cover plate /art. no.		
Scope of supply	Complete, including fixing materials	

CDC-BS070-VFO



Overview profile series incl. outer frame and sash frame

Outer frame profiles

Sash profiles

Sapa® Series SFB 1074

74001
74002
74052
74005
74101

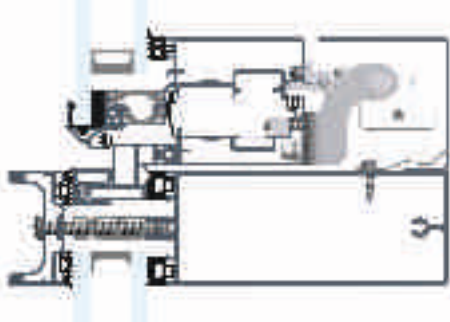
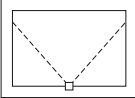
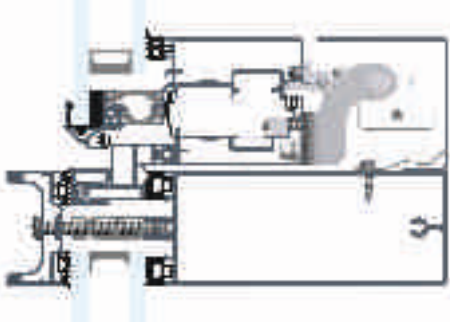
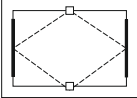
74102
74013
74004
74007

74103
74107
74003
74106

74311

CDC bracket sets for Schüco® Series AWS 102 (Sash frame 339 490; 339 470)

Application

<p>Projected top-hung vent</p> <ul style="list-style-type: none"> • D+H installation solution also functions in combination with the narrower sash profile 339 490  	<p>Parallel outward opening window</p> <ul style="list-style-type: none"> • D+H installation solution also functions in combination with the narrower sash profile 339 490  
---	---

Attention: Please beware of CDC instruction for use: check pressure load diagram and minimum sash height / width!

Product information

CDC, all versions

Type	CDC-BS009-VFO	
Art. no. set	25.ABE.KS	
Installation type	profile integrated	
Frame material used	aluminium windows	
AD drawing number	AD0046	

Components

CDC-BS009-VFO


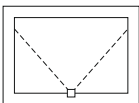
Sash bracket / art. no.	CDC-SB008 / 25.ABD.KS	
Frame bracket / art. no.	CDC-FB006 / 25.ABC.KS	
Cover plate /art. no.	–	
Scope of supply	Complete, including fixing materials	

CDC-BS009-VFO



CDC bracket sets for Skandinaviska® Series SGS

Application

Projected top-hung vent	Parallel outward opening window
<ul style="list-style-type: none"> D+H installation solution also functions in combination with the narrower sash profile 339 490  	

Attention: Please beware of CDC instruction for use: check pressure load diagramm and minimum sash height / width!

Product information

CDC, all versions

Type	CDC-BS061-VFO	
Art. no. set	25.AFG.KS	
Installation type	profile integrated	
Frame material used	aluminium windows	
AD drawing number	AD00260	

Components

CDC-BS061-VFO

Sash bracket / art. no.	-	
Frame bracket / art. no.	-	
Cover plate /art. no.	-	
Scope of supply	Complete, including fixing materials	



CDC bracket sets

Universal mounting solutions for surfaced mounting

Arguments for D+H installation solutions

Efficiency

- Time-saving installation with drilling template possible

Design

- Modern design appropriate for the today's façade architecture

EN 12101-2

- Certification is planned

Quick fitting

- Brackets are ready for immediate fitting – no additional adaptation work on the brackets is necessary

Complete scope of supply

- All materials necessary for fixing are included in the scope of supply of the bracket set

Special colours

- The bracket can be supplied in a special colour as an option, according to RAL Classic (colour chart RAL-K5) (wet-painted or powder-coated)



CDC bracket sets for Mounting on sash

Application

Inward opening bottom-hung window	Inward opening side-hung window

Attention: Please beware of CDC instruction for use: check pressure load diagramm and minimum sash height / width!

Product information

CDC, all versions

Type	CDC-BS077-VSI	
Art. no. set	25.AFH.KS	
Installation type	surfaced	
Frame material used	aluminium, wooden, plastic windows	
AD drawing number	–	

Components

CDC-BS077-VSI

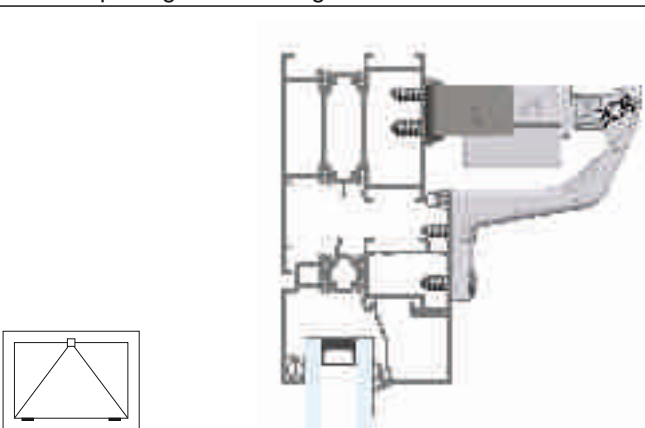
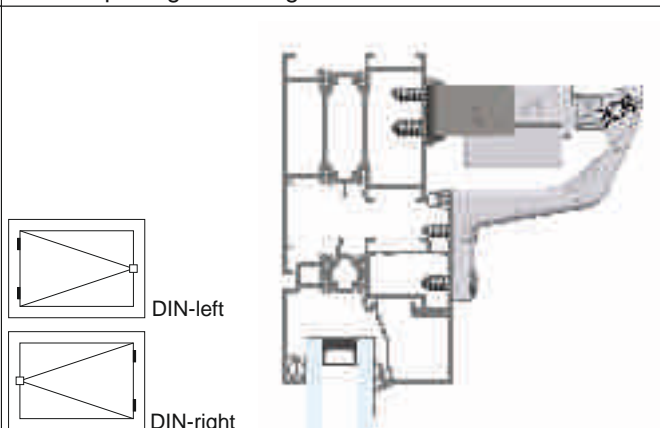
Sash bracket / art. no.	–	
Frame bracket / art. no.	–	
Cover plate /art. no.	–	
Scope of supply	Complete, including fixing materials	

CDC-BS077-VSI



CDC bracket sets for Mounting on frame

Application

Inward opening bottom-hung window	Inward opening side-hung window
	

Attention: Please beware of CDC instruction for use: check pressure load diagramm and minimum sash height / width!

Product information

CDC, all versions

Type	CDC-BS066-VFI	
Art. no. set	25.AFJ.KS	
Installation type	surfaced	
Frame material used	aluminium, wooden, plastic windows	
AD drawing number	–	

Components

CDC-BS066-VFI

Sash bracket / art. no.	–	
Frame bracket / art. no.	–	
Cover plate /art. no.	–	
Scope of supply	Complete, including fixing materials	

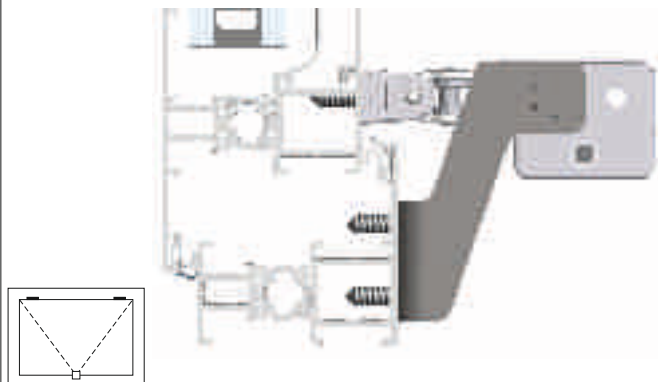
CDC-BS066-VFI



CDC bracket sets for Mounting on frame

Application

Top-hung vent, outward opening



Attention: Please beware of CDC instruction for use: check pressure load diagramm and minimum sash height / width!

Product information

Type	CDC-BS088-VFO	
Art. no. set	25.AFK.KS	
Installation type	surfaced	
Frame material used	aluminium, wooden, plastic windows	
AD drawing number	–	

Components

CDC-BS088-VFO

Sash bracket / art. no.	–	
Frame bracket / art. no.	–	
Cover plate /art. no.	–	
Scope of supply	Complete, including fixing materials	

CDC-BS088-VFO



