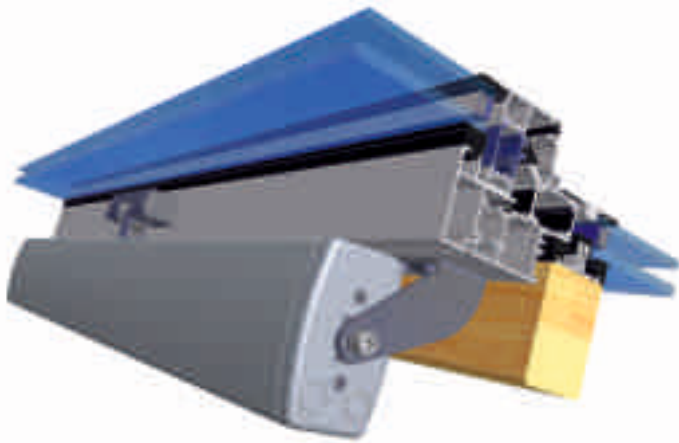


CDP bracket sets

Installation solutions for



Roof windows,
outwards opening

- CDP drive

CDP bracket sets

Contents

Profile series / type of assembly	Bracket set	Art. no.	Page
Planning aid			148
Identification system			150
Colour option			151
Mounting solutions for roof windows			152
Aluprof®			
Series MB-SR50	CDP-BS002-OM	26.CAK.KS	153
Colt®			
Series Kameleon E	CDP-BS005-OM	26.CAN.KS	154
Gutmann®			
Serie 70 Dach	CDP-BS002-OM	26.CAK.KS	155
Heroal®			
Series 180	CDP-BS007-OM	26.CAP.KS	156
Hueck-Hartmann®			
Series 1.0 outer frame 519 510	CDP-BS005-OM	26.CAN.KS	157
Series 1.0 outer frame 519 511	CDP-BS005-OM	26.CAN.KS	158
Series 85E	CDP-BS008-SM	26.CAR.KS	159
Raico®			
Series Wing 105D	CDP-BS002-OM	26.CAK.KS	160
Reynaers®			
Series Flush roof vent	CDP-BS004-OM	27.CAM.KS	161

CDP bracket sets

Contents

Profile series / type of assembly	Bracket set	Art. no.	Page
Sapa® Series SFB 5050	CDP-BS005-OM	26.CAN.KS	162
Schüco® Series AWS 57 RO (frame profile 331 810, 331 820)	ZA-BS003-OM	26.CAL.KS	163
Series AWS 57 RO (frame profile 369 770, 369 780)	CDP-BS001-OM	26.CAJ.KS	164
Technal® Series MX	CDP-BS002-OM	26.CAK.KS	165
Wicona® Series Wictec 50; 60	CDP-BS002-OM	26.CAK.KS	166

CDP bracket sets

Planning aid

D+H installation solutions – Easy and economic

The quick way to your adequate installation solution

1 Information research
for your application

2 Check
profile manufacturer's name and
profile series

3 Adhere to
installation instruction

4 Order

CDP bracket sets

Planning aid

D+H installation solutions – Easy and economic

Steps in detail

1. Information research for your application

Information you will need for the selection of the adequate bracket set: Profile manufacturer's name

- application type (roof or facade)
- window type
- maximum sash weight / sash load
- desired opening angle
- opening time has to be conform to DIN EN 12101-2
- mounting position of drive
- profile serie
- article no. of outer frame
- article no. of sash frame

2. Check profile manufacturer's name and profile series

If you are looking for an installation solution please check the application overview of »ZA bracket sets« for the profile manufacturer's name and the profile series desired by your customer. If your desired profile series is listed, please open the corresponding page and check it for an adequate bracket set.

3. Adhere to installation instruction

Before ordering please read carefully the installation instructions in the »ZA bracket sets«.

4. Order

Now you can order your bracket set by using the D+H article number.

Pass on the D+H application drawings to your customer so that he can already start with the profile and window production. The application drawing number you will find in the table product information of your selected bracket set. You can download the application drawings in the VIP-Web under »product-application drawings«.

Remark

If your profile manufacturer's name and the profile series desired by your customer is not listed, please contact the D+H application technology department, who will assist you to find a technical solution.

CDP bracket sets

Identification system

Name of the bracket sets

CDP	BS	007	OM
			OM SM
			Opposite mounted Side mounted
		007	Consecutive numbers per product line
	BS FB SB AB		Bracket set Frame bracket Sash bracket Adapter bracket
CDP			Chain drive

CDP bracket sets

Colour option

CDP-BS/C (26.CBC.KS)

Order and delivery

Option	Order
<ul style="list-style-type: none"> You can order the complete bracket set as well as sash bracket, frame bracket and basis bracket as colour option. Colour option: <ul style="list-style-type: none"> The RAL color systems are standards of the RAL institute for colours. Today the „RAL CLASSIC“ system is well-known: This system exists since 1927 and is characterized by 210 different colours and a four-digit numbering system. Sash bracket, frame bracket and basis bracket will be varnished or powder coated according to RAL colour chart K5. 	<p>Please provide the following information for an order:</p> <ul style="list-style-type: none"> Colour option: Type: CDP-BS/C, Art.-No.: 26.CBC.KS Type of bracket which should be varnished/powder coated e.g.: CDP-BS004-OM (see planning aid for searching and finding the appropriate bracket set) colour (four-digit RAL label) if possible including colour name Technique (varnish or powder coating) Quantity Packaging (single pack or multipack) Price for varnishing/powder coating depends on the number of items which have to be varnished.

Product information

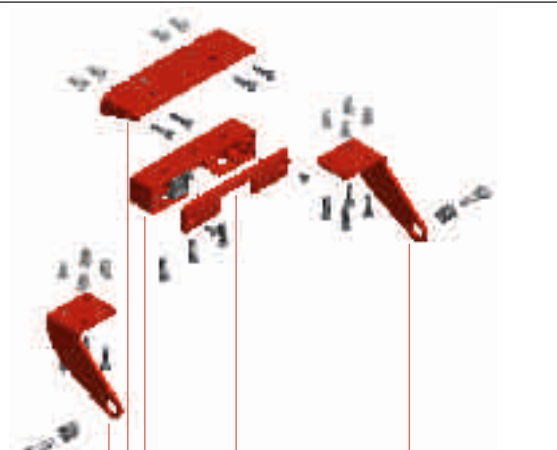
Colour option CDP bracket

Type	CDP-BS/C	
Art.-No. Set	26.CBC.KS	
Colour system	RAL Classic K5 (more colours on request)	
Technique	varnish, powder coating	
Scope of supply	same as standard	

Example

Type / Art.-No. colour option	CDP-BS/C / 26.CBC.KS	
Type	CDP-BS004-OM	
Colour system	RAL 9016	
Technique	varnish	
Quantity	100	
Packaging	multipack	

Example bracket set CDP-BS004-OM



Varnished/powder coated components are shown in red for clarification. Screws and splints will not be varnished/powder coated.

Components will be varnished/powder coated in RAL xxxx

CDP bracket sets

Mounting solutions for roof windows

Arguments for D+H installation solutions

Efficiency

- Time-saving installation through optimal adaptation of the bracket set to the particular profile system

High strength

- Installation solutions designed for maximum load-bearing (up to 1,500N)

DIN EN 12101-2 tested

- Bracket sets and their installation solutions are in certification

Quick fitting

- Brackets are ready for immediate installation - no additional adaptation work on the brackets is necessary

Functional safety

- Optimum adaptation of the bracket to the particular drive system guarantees complete functional safety

Complete scope of supply

- All necessary fixing materials are included in the scope of supply of the bracket set

Design

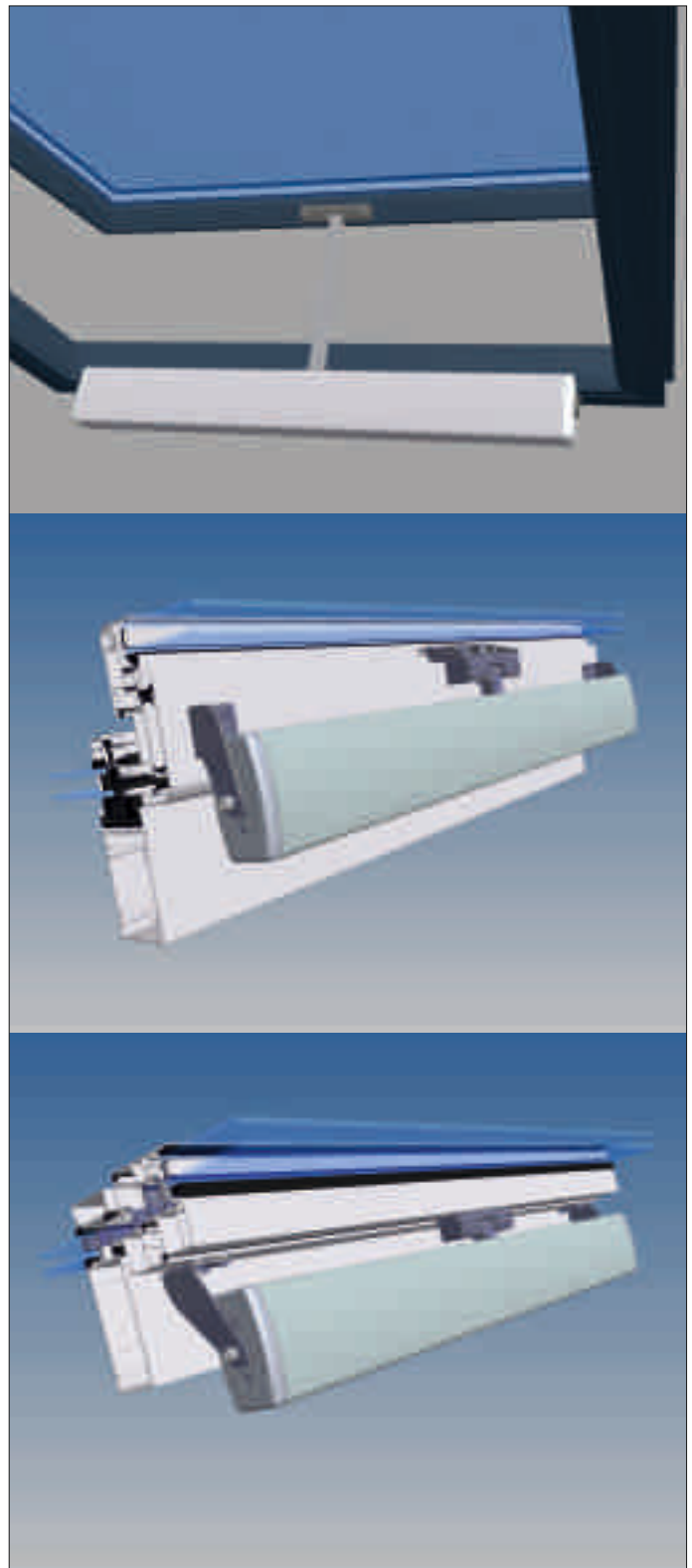
- Functional design which also satisfies high aesthetic requirements

Special colours

- All brackets can be supplied in a special colour as an option, according to RAL Classic (colour chart RAL-K5) (wet-painted or powder-coated)

Documentation

- Application drawings suitable for window and facade manufacturers available

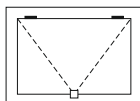
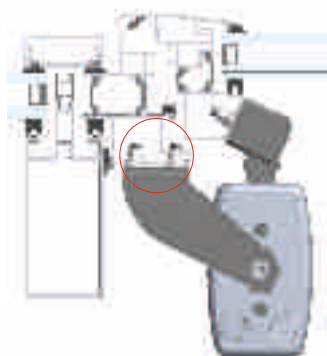


CDP bracket sets for Aluprof® Series MB-SR50

Application

Outward opening roof window, opposite mounted

- To insert the rivet nuts, both walls of the sash frame profile may need to be drilled.



Product information

opposite mounted

Type	CDP-BS002-OM	
Art. no. set	26.CAK.KS	
Drive used	CDP; all versions	
Art. no. variant	26.CBC.KS	
AD drawing number	AD00248	

Components

CDP-BS002-OM

Sash bracket / art. no.	CDP-SB001 / 26.CAA.KS	
Frame bracket / art. no.	CDP-FB002 / 26.CAF.KS	
Basis bracket / art. no.	–	
Thread plate / art. no.	–	
Adapter bracket / art. no.	–	
Scope of supply	Complete, including fixing materials	

ZA-BS002-OM

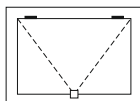
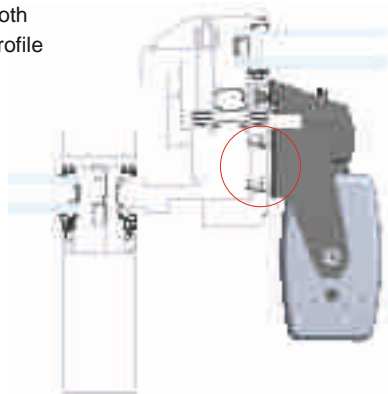


CDP bracket sets for Colt® Series Kameleon E

Application

Outward opening roof window, opposite mounted

- To insert the rivet nuts, both walls of the insert sash profile may need to be drilled.



Product information

opposite mounted

Type	CDP-BS005-OM	
Art. no. set	26.CAN.KS	
Drive used	CDP; all versions	
Art. no. variant	26.CBC.KS	
AD drawing number	AD00251	

Components

CDP-BS005-OM

Sash bracket / art. no.	CDP-SB001 / 26.CAA.KS	
Frame bracket / art. no.	CDP-FB001 / 26.CAE.KS	
Basis bracket / art. no.		
Thread plate / art. no.		
Adapter bracket / art. no.	CDP-AB001 / 26.CAB.KS	
Scope of supply	Complete, including fixing materials	

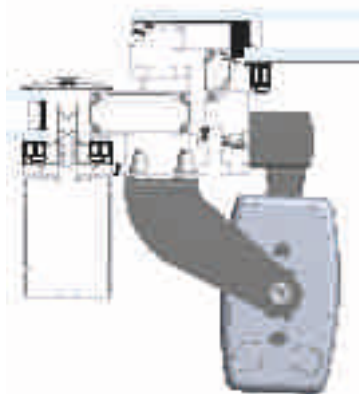
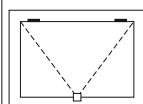
CDP-BS005-OM



CDP bracket sets for Gutmann® Series S70

Application

Outward opening roof window, opposite mounted



Product information

opposite mounted

Type	CDP-BS002-OM	
Art. no. set	26.CAK.KS	
Drive used	CDP; all versions	
Art. no. variant	26.CBC.KS	
AD drawing number	AD00247	

Components

CDP-BS002-OM

Sash bracket / art. no.	CDP-SB001 / 26.CAA.KS	
Frame bracket / art. no.	CDP-FB002 / 26.CAF.KS	
Basis bracket / art. no.	–	
Thread plate / art. no.	–	
Adapter bracket / art. no.	–	
Scope of supply	Complete, including fixing materials	

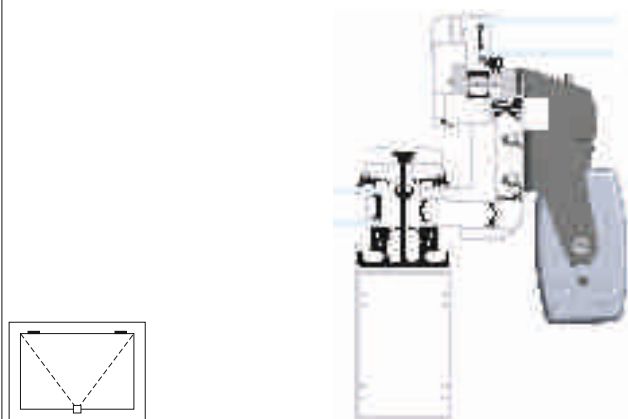
CDP-BS002-OM



CDP bracket sets for Heroal® Series 180

Application

Outward opening roof window, opposite mounted



Product information

opposite mounted

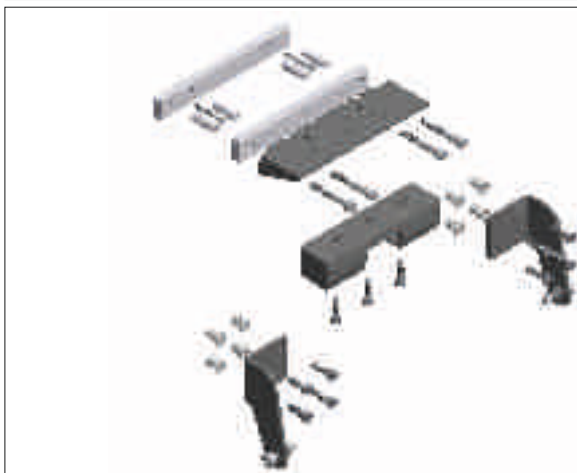
Type	CDP-BS007-OM	
Art. no. set	26.CAP.KS	
Drive used	CDP; all versions	
Art. no. variant	26.CBC.KS	
AD drawing number	AD00250	

Components

CDP-BS007-OM

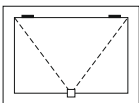

Sash bracket / art. no.	CDP-SB001 / 26.CAA.KS	
Frame bracket / art. no.	CDP-FB001 / 26.CAE.KS	
Basis bracket / art. no.	–	
Thread plate / art. no.	–	
Adapter bracket / art. no.	CDP-AB003 / 26.CAD.KS	
Scope of supply	Complete, including fixing materials	

CDP-BS007-OM



CDP bracket sets for Hueck-Hartmann® Series 1.0 (outer frame 519 510)

Application

Outward opening roof window, opposite mounted	
 	

Product information

opposite mounted

Type	CDP-BS005-OM	
Art. no. set	26.CAN.KS	
Drive used	CDP; all versions	
Art. no. variant	26.CBC.KS	
AD drawing number	AD00255	

Components

CDP-BS005-OM

Sash bracket / art. no.	CDP-SB001 / 26.CAA.KS	
Frame bracket / art. no.	CDP-FB001 / 26.CAE.KS	
Basis bracket / art. no.	–	
Thread plate / art. no.	–	
Adapter bracket / art. no.	CDP-AB001 / 26.CAB.KS	
Scope of supply	Complete, including fixing materials	

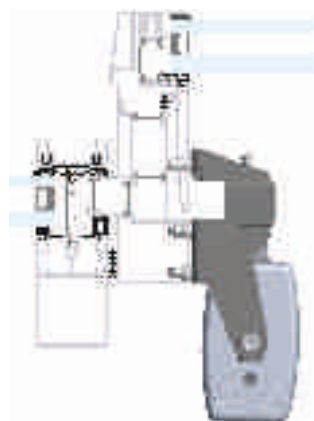
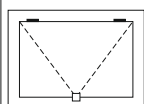
CDP-BS005-OM

	
---	--

CDP bracket sets for Hueck-Hartmann® Series 1.0 (outer frame 519 511)

Application

Outward opening roof window, opposite mounted



Product information

opposite mounted

Type	CDP-BS005-OM	
Art. no. set	26.CAN.KS	
Drive used	CDP; all versions	
Art. no. variant	26.CBC.KS	
AD drawing number	AD00256	

Components

CDP-BS005-OM

Sash bracket / art. no.	CDP-SB001 / 26.CAA.KS	
Frame bracket / art. no.	CDP-FB001 / 26.CAE.KS	
Basis bracket / art. no.	-	
Thread plate / art. no.	-	
Adapter bracket / art. no.	CDP-AB001 / 26.CAB.KS	
Scope of supply	Complete, including fixing materials	

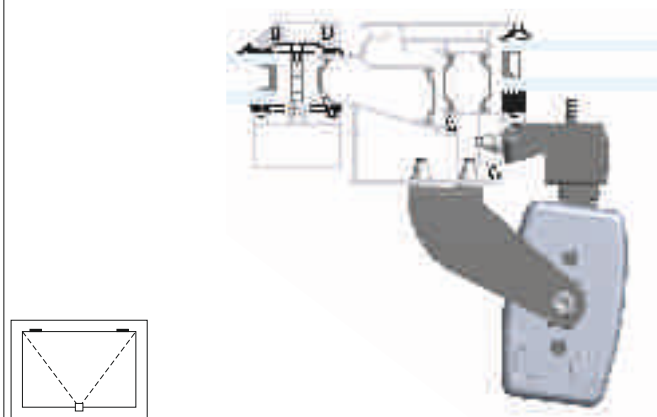
CDP-BS005-OM



CDP bracket sets for Hueck-Hartmann® Series 85E

Application

Outward opening roof window, opposite mounted



Product information

opposite mounted

Type	CDP-BS008-OM	
Art. no. set	26.CAR.KS	
Drive used	CDP; all versions	
Art. no. variant	26.CBC.KS	
AD drawing number	AD00254	

Components

CDP-BS008-OM

Sash bracket / art. no.	CDP-SB001 / 26.CAA.KS	
Frame bracket / art. no.	CDP-FB002 / 26.CAF.KS	
Basis bracket / art. no.	-	
Thread plate / art. no.	-	
Adapter bracket / art. no.	CDP-AB001 / 26.CAB.KS	
Scope of supply	Complete, including fixing materials	

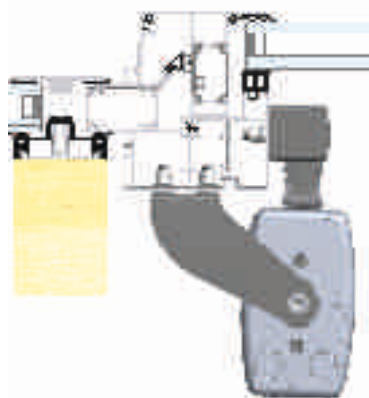
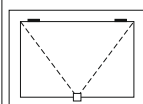
CDP-BS008-OM



CDP bracket sets for Raico® Series Wing 105D

Application

Outward opening roof window, opposite mounted



Product information

opposite mounted

Type	CDP-BS002-OM	
Art. no. set	26.CAK.KS	
Drive used	CDP; all versions	
Art. no. variant	26.CBC.KS	
AD drawing number	AD00245	

Components

CDP-BS002-OM

Sash bracket / art. no.	CDP-SB001 / 26.CAA.KS	
Frame bracket / art. no.	CDP-FB002 / 26.CAF.KS	
Basis bracket / art. no.	–	
Thread plate / art. no.	–	
Adapter bracket / art. no.	–	
Scope of supply	Complete, including fixing materials	

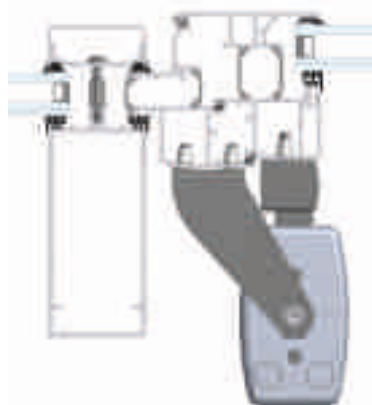
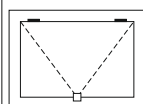
CDP-BS002-OM



CDP bracket sets for Reynaers® Flush roof vent

Application

Outward opening roof window, opposite mounted



Product information

opposite mounted

Type	CDP-BS004-OM	
Art. no. set	26.CAM.KS	
Drive used	CDP; all versions	
Art. no. variant	26.CBC.KS	
AD drawing number	AD00249	

Components

CDP-BS004-OM

Sash bracket / art. no.	CDP-SB001 / 26.CAA.KS	
Frame bracket / art. no.	CDP-FB004 / 26.CAH.KS	
Basis bracket / art. no.	–	
Thread plate / art. no.	–	
Adapter bracket / art. no.	–	
Scope of supply	Complete, including fixing materials	

CDP-BS004-OM

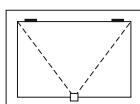
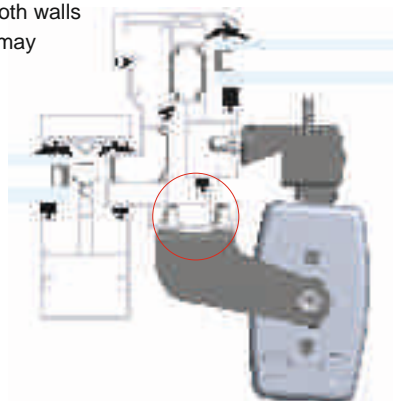


CDP bracket sets for Sapa® Series SFB 5050

Application

Outward opening roof window, opposite mounted

- To insert the rivet nuts, both walls of the insert sash profile may need to be drilled.



Product information

opposite mounted

Type	CDP-BS005-OM	
Art. no. set	26.CAN.KS	
Drive used	CDP; all versions	
Art. no. variant	26.CBC.KS	
AD drawing number	AD00253	

Components

CDP-BS005-OM

Sash bracket / art. no.	CDP-SB001 / 26.CAA.KS	
Frame bracket / art. no.	CDP-FB001 / 26.CAE.KS	
Basis bracket / art. no.	–	
Thread plate / art. no.	–	
Adapter bracket / art. no.	CDP-AB001 / 26.CAB.KS	
Scope of supply	Complete, including fixing materials	

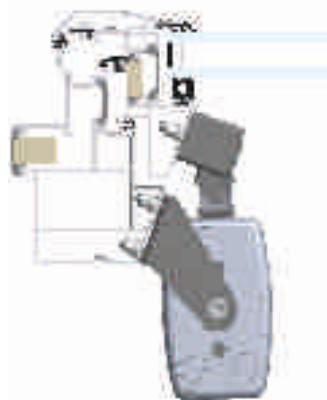
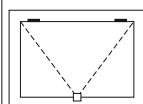
CDP-BS005-OM



CDP bracket sets for Schüco® Series AWS 57 RO (frame profile 331 810, 331 820)

Application

Outward opening roof window, opposite mounted



Product information

opposite mounted

Type	CDP-BS003-OM	
Art. no. set	26.CAL.KS	
Drive used	CDP; all versions	
Art. no. variant	26.CBC.KS	
AD drawing number	AD00244	

Components

CDP-BS003-OM

Sash bracket / art. no.	CDP-SB001 / 26.CAA.KS	
Frame bracket / art. no.	CDP-FB003 / 26.CAG.KS	
Basis bracket / art. no.	–	
Thread plate / art. no.	–	
Adapter bracket / art. no.	–	
Scope of supply	Complete, including fixing materials	

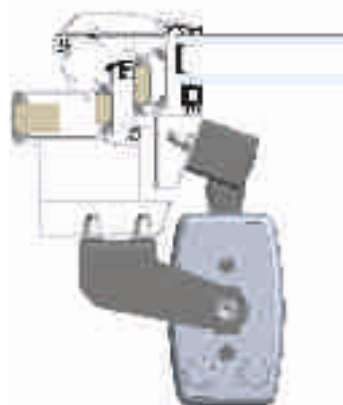
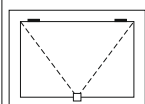
CDP-BS003-OM



CDP bracket sets for Schüco® Series AWS 57 RO (frame profile 369 770 / 369 780)

Application

Outward opening roof window, opposite mounted



Product information

opposite mounted

Type	CDP-BS001-OM	
Art. no. set	26.CAJ.KS	
Drive used	CDP; all versions	
Art. no. variant	26.CBC.KS	
AD drawing number	AD00243	

Components

CDP-BS001-OM

Sash bracket / art. no.	CDP-SB001 / 26.CAA.KS	
Frame bracket / art. no.	CDP-FB001 / 26.CAE.KS	
Basis bracket / art. no.	–	
Thread plate / art. no.	–	
Adapter bracket / art. no.	–	
Scope of supply	Complete, including fixing materials	

CDP-BS001-OM

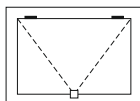
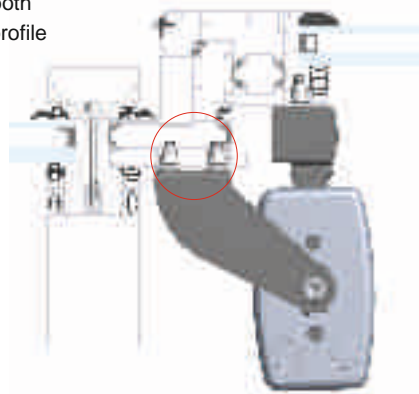


CDP bracket sets for Technal® Series MX

Application

Outward opening roof window, opposite mounted

- To insert the rivet nuts, both walls of the insert sash profile may need to be drilled.



Product information

opposite mounted

Type	CDP-BS002-OM	
Art. no. set	26.CAK.KS	
Drive used	CDP; all versions	
Art. no. variant	26.CBC.KS	
AD drawing number	AD00252	

Components

CDP-BS002-OM

Sash bracket / art. no.	CDP-SB001 / 26.CAA.KS	
Frame bracket / art. no.	CDP-FB002 / 26.CAF.KS	
Basis bracket / art. no.	–	
Thread plate / art. no.	–	
Adapter bracket / art. no.	–	
Scope of supply	Complete, including fixing materials	

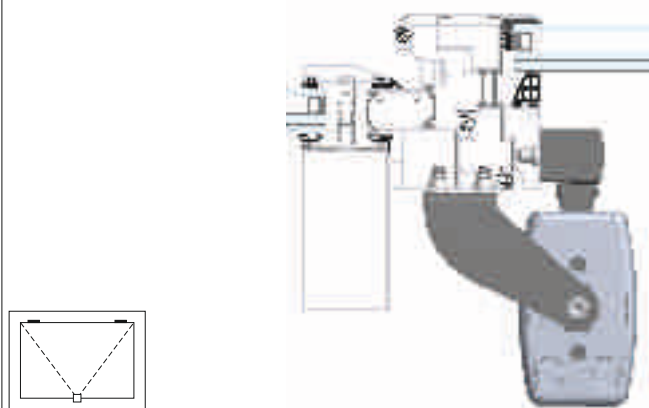
CDP-BS002-OM



CDP bracket sets for Wicona® Series Wictec 50; 60

Application

Outward opening roof window, opposite mounted



Product information

opposite mounted

Type	CDP-BS002-OM	
Art. no. set	26.CAK.KS	
Drive used	CDP; all versions	
Art. no. variant	26.CBC.KS	
AD drawing number	AD00246	

Components

CDP-BS002-OM

Sash bracket / art. no.	CDP-SB001 / 26.CAA.KS	
Frame bracket / art. no.	CDP-FB002 / 26.CAF.KS	
Basis bracket / art. no.	–	
Thread plate / art. no.	–	
Adapter bracket / art. no.	–	
Scope of supply	Complete, including fixing materials	

CDP-BS002-OM

