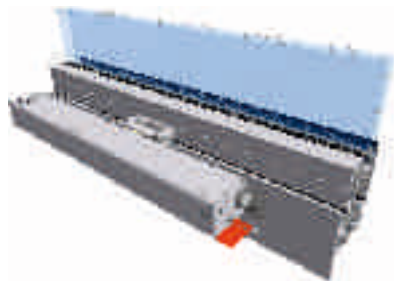


KA bracket sets

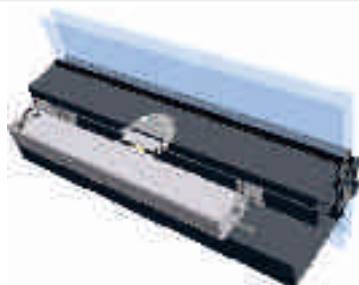
Installation solutions for



Roof windows,
outwards opening
aluminium profile system



Top-hung windows,
outwards opening
aluminium profile system



Projected top-hung vent,
parallel outward opening window,
outwards opening
aluminium profile system



Turning sash windows,
inwards opening
aluminium profile system



Universal mounting solutions
timber/aluminium/plastic
profile system

KA bracket sets

Contents

Profile series / type of assembly	Bracket set	Art. no.	Page
Planning aid			100
Identification system			102
Colour version			103
Mounting solutions for roof windows			104
Aluprof®			
Series MB-SR50	KA-BS020-VFO	26.ABY.KS	105
	KA-TW-BS035-VFO	26.ACP.KS	105
	KA-SW-BS021-VFO	26.ABZ.KS	105
Colt®			
Series Kameleon E	KA-BS069-VFO	26.AEB.KS	106
	KA-SW-BS070-VFO	26.AEC.KS	106
	KA-TW-BS071-VFO	26.AED.KS	106
Gutmann®			
Series S70 roof	KA-BS002-VFO	26.AAJ.KS	107
	KA-TW-BS026-VFO	26.ACE.KS	107
	KA-SW-BS003-VFO	26.AAP.KS	107
Series S70 roof (wooden cladded)	KA-BS004-VFO	26.AAT.KS	108
Heroal®			
Series 180	KA-BS011-VFO	26.ABJ.KS	109
	KA-TW-BS029-VFO	26.ACH.KS	109
	KA-SW-BS012-VFO	26.ABK.KS	109
Hueck-Hartmann®			
Series 85E	KA-BS018-VFO	26.ABU.KS	110
	KA-TW-BS034-VFO	26.ACN.KS	110
	KA-SW-BS019-VFO	26.ABV.KS	110
Series 1.0 (insert frame 519 510; 519 511)	KA-BS022-VFO	26.ACA.KS	111
	KA-TW-BS033-VFO	26.ACM.KS	111
	KA-SW-BS023-VFO	26.ACB.KS	111
Jet Brakel Aero			
Series Ventria-TG	KA-BS005-VFO	26.AAX.KS	112
	KA-TW-BS032-VFO	26.ACL.KS	112
	KA-SW-BS025-VFO	26.ACD.KS	112

KA bracket sets

Contents

Profile series / type of assembly	Bracket set	Art. no.	Page
Raico®			
Series Wing 105D	KA-BS002-VFO	26.AAJ.KS	113
	KA-TW-BS026-VFO	26.ACE.KS	113
	KA-SW-BS003-VFO	26.AAP.KS	113
Reynaers®			
Series CR 120	KA-BS013-VFO	26.ABM.KS	114
	KA-TW-BS030-VFO	26.ACJ.KS	114
	KA-SW-BS014-VFO	26.ABN.KS	114
Flush roof vent	KA-BS080-VFO	26.AFE.KS	115
	KA-TW-BS081-VFO	26.AFG.KS	115
	KA-SW-BS082-VFO	26.AFH.KS	115
Sapa®			
Series SFB 5050/5060	KA-BS015-VFO	26.ABR.KS	116
	KA-TW-BS031-VFO	26.ACK.KS	116
	KA-SW-BS016-VFO	26.ABS.KS	116
Schüco®			
Series AWS 57 RO	KA-BS062-VFO	26.ADY.KS	117
	KA-SW-BS063-VFO	26.ADZ.KS	117
	KA-TW-BS064-VFO	26.AEA.KS	117
Series Royal S 47D	KA-BS053-VFO	26.ADR.KS	118
	KA-TW-BS054-VFO	26.ADS.KS	118
Series Royal S 88D	KA-BS009-VFO	26.ABF.KS	119
	KA-TW-BS027-VFO	26.ACF.KS	119
	KA-SW-BS007-VFO	26.ABB.KS	119
Series Royal S 106D	KA-BS010-VFO	26.ABG.KS	120
	KA-TW-BS028-VFO	26.ACG.KS	120
	KA-SW-BS008-VFO	26.ABE.KS	120
Technal®			
Series MX	KA-BS020-VFO	26.ABY.KS	121
	KA-TW-BS035-VFO	26.ACP.KS	121
	KA-SW-BS021-VFO	26.ABZ.KS	121
Wicona®			
Series Witect 50/60	KA-BS002-VFO	26.AAJ.KS	122
	KA-TW-BS026-VFO	26.ACE.KS	122
	KA-SW-BS003-VFO	26.AAP.KS	122

KA bracket sets

Contents

Profile series / type of assembly	Bracket set	Art. no.	Page
Mounting solutions for top-hung windows			123
Aluprof®			
Series MB 59 Casment	KA-BS076-VFO	26.AEY.KS	124
	KA-TW-BS079-VFO	26.AFD.KS	124
Raico®			
Series Wing 50 A-R, A-S	KA-BS006-VFO	26.AAY.KS	125
	KA-TW-BS073-VFO	26.AEF.KS	125
Reynaers®			
Series CS 59, 68, 77, 86-HI, Eco	KA-BS036-VFO	26.ACS.KS	126
	KA-TW-BS039-VFO	26.ACV.KS	126
Sapa®			
Series SFB 1074	KA-BS074-VFO	26.AEJ.KS	127
Schüco®			
Series AWS 65, 70, 75	KA-BS036-VFO	26.ACS.KS	128
	KA-TW-BS039-VFO	26.ACV.KS	128
Skandinaviska®			
Series SGS	KA-BS077-VFO	26.AEZ.KS	129
	KA-TW-BS078-VFO	26.AFB.KS	129
Mounting solutions for projected top-hung windows, parallel outwards opening windows			130
Gutmann®			
Series S70 SK	KA-BS006-VFO	26.AAY.KS	131
	KA-TW-BS073-VFO	26.AEF.KS	131
Raico®			
Series Wing 50 SK-R, SK-S	KA-BS006-VFO	26.AAY.KS	132
	KA-TW-BS073-VFO	26.AEF.KS	132
Reynaers®			
Seriesn CW 50	KA-BS075-VFO	26.AEN.KS	133
Schüco®			
Series AWS102 SK (sash profile 339 470)	KA-BS001-VFO	26.AAF.KS	134
	KA-TW-BS045-VFO	26.ADB.KS	134
Series AWS102 SK sash profile 339 490)	KA-BS051-VFO	26.ADJ.KS	135
	KA-TW-BS068-VFO	26.AEG.KS	135

KA bracket sets

Contents

Profile series / type of assembly	Bracket set	Art. no.	Page
MMounting solutions for turning-sash windows			136
Reynaers®			
Series CS 59, 68, 77, 86-HI, Eco	KA-BS085-VFIS	26.AFL.KS	137
	KA-TW-BS086-VFIS	26.AFM.KS	137
Schüco®			
Series AWS	KA-BS085-VFIS	26.AFL.KS	138
	KA-TW-BS086-VFIS	26.AFM.KS	138
Universal mounting solutions			139
Mounting on sash			
inwards opening	KA-BS040-VSI	26.ACW.KS	140
	KA-TW-BS041-VSI	26.ACX.KS	140
inwards opening, turning sash	KA-TW-BS042-VSIS	26.ACY.KS	140
Mounting on frame			
inwards opening	KA-BS046-VFI	26.ADC.KS	141
	KA-TW-BS047-VFI	26.ADD.KS	141
inwards opening, turning sash	KA-BS048-VFIS	26.ADE.KS	142
	KA-TW-BS049-VFIS	26.ADF.KS	142
outwards opening	KA-BS050-VFO	26.ADG.KS	143
	KA-TW-BS052-VFO	26.ADP.KS	143
inwards opening, variable	KA-BS059-VFI	26.ADT.KS	143

KA bracket sets

Planning aid

D+H installation solutions – Easy and economic

The quick way to your adequate installation solution

1 Information research
for your application



2 Check
profile manufacturer's name
and profile series



3 Adhere to
installation instruction



4 Order

KA bracket sets

Planning aid

D+H installation solutions – Easy and economic

Steps in detail

1. Information research for your application

Information you will need for the selection of the adequate bracket set:

- profile manufacturer's name
- application type (roof or facade)
- window type
- profile serie
- article no. of outer frame (if relevant)
- article no. of sash frame (if relevant)
- desired opening angle

2. Check profile manufacturer's name and profile series

If you are looking for an installation solution please check the application overview of »KA bracket sets« for the profile manufacturer's name and the profile series desired by your customer. If your desired profile series is listed, please open the corresponding page and check it for an adequate bracket set.

3. Adhere to installation instruction

Before ordering please read carefully the installation instructions in the »KA bracket sets«.

4. Order

Now you can order your bracket set by using the D+H article number.

Pass on the D+H application drawings to your customer so that he can already start with the profile and window production. The application drawing number you will find in the table product information of your selected bracket set. You can download the application drawings in the VIP-Web under »product-application drawings«.

Remark:

If your profile manufacturer's name and the profile series desired by your customer is not listed, please contact the D+H application technology department, who will assist you to find a technical solution.

KA bracket sets

Identification system

Name of the bracket sets

KA-TW	BS	007	V	FIS		
				FI	Frame inwards	old
				FIS	Frame inwards, side-hung vent	RE
				FO	Frame outwards	RE-DF
				FOS	Frame outwards, side hung vent	RA
				SI	Sash inward	F
				SIS	Sash inwards, side hung vent	F-DF
				SO	Sash outwards	
				SOS	Sash outwards, side hung vent	
			V		Visible mounted	
			I		Integrated mounted	
		007	Consecutive numbers per product line			
	BS	Bracket set				
	FB	Frame bracket				
	SB	Sash bracket				
	CP	Cover plate				
	AB	Adapter bracket				
		KA product line				
KA		Chain drive				
KA-TW		Chain drive Twin				
KA-SW		Chain drive ShortTwin				
SHD		Side Hung sash Drive				
DDS		Door Drive System				

KA bracket sets

Colour option

KA-BS/C (26.AAV.KS)

Order and delivery

RAL color system	order
<ul style="list-style-type: none"> The RAL colour systems are standards of the RAL institute for colours. Today the „RAL CLASSIC“ system is well-known: This system exists since 1927 and is characterized by 210 different colours and a four-digit numbering system. Sash bracket and frame bracket will be varnished or powder coated according to RAL color chart K5. By default the KA bracket sets are delivered as follows: <ul style="list-style-type: none"> – stainless steel, tumbled – aluminium, nature anodized (similar silver) – cast elements, powder coated similar RAL 9006 	<p>Please provide the following information for an order:</p> <ul style="list-style-type: none"> Colour option: Type: KA-BS/C, Art.-No.: 26.AAV.KS Type of bracket which should be varnished/powder coated e.g.: KA-BS022-VFO (see planning aid for searching and finding the appropriate bracket set) colour (four-digit RAL label) if possible including colour name Technique (varnish or powder coating) Quantity Packaging (single pack or multipack) Price for varnishing/powder coating depends on the number of items which have to be varnished.

Product information

Colour option KA, KA-TW, KA-SW bracket

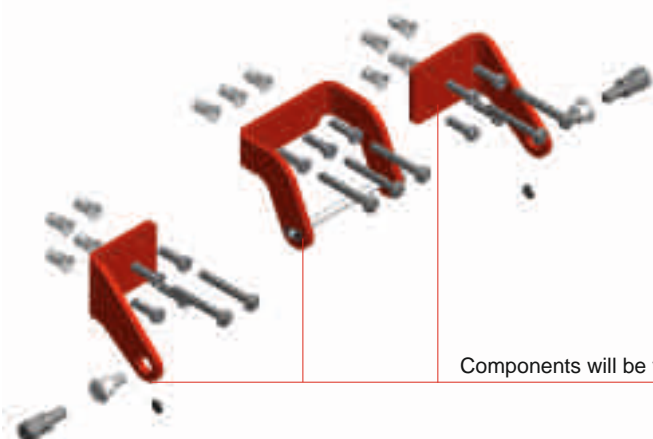
Type	KA-BS/C	
Art.-No. Set	26.AAV.KS	
Colour system	RAL Classic K5 (more colors on request)	
Technique	varnish, powder coating	
Scope of supply	same as standard	

Order example

Example

Type / Art.-No. color option	KA-BS/C / 26.AAV.KS	
Type	KA-BS022-VFO	
Colour system	RAL 9016	
Technique	varnish	
Quantity	100	
Packaging	multipack	

Example bracket set KA-BS022-VFO



Varnished/powder coated components are shown in red for clarification. Screws and splints will not be varnished/powder coated.

Components will be varnished/powder coated in RAL xxxx

KA bracket sets

Installation solutions for roof windows

Arguments for D+H installation solutions

Efficiency

- Time-saving installation through optimal adaptation of the bracket set for the particular profile
- no additional adaptation work on the bracket necessary

EN 12101-2 tested

- The bracket sets were tested in combination with an automatic SHEV according to DIN EN 12101-2 (classification reports are still being produced in part).

Functional safety

- Optimum adaptation of the bracket to the particular drive system guarantees complete functional safety

Complete scope of supply

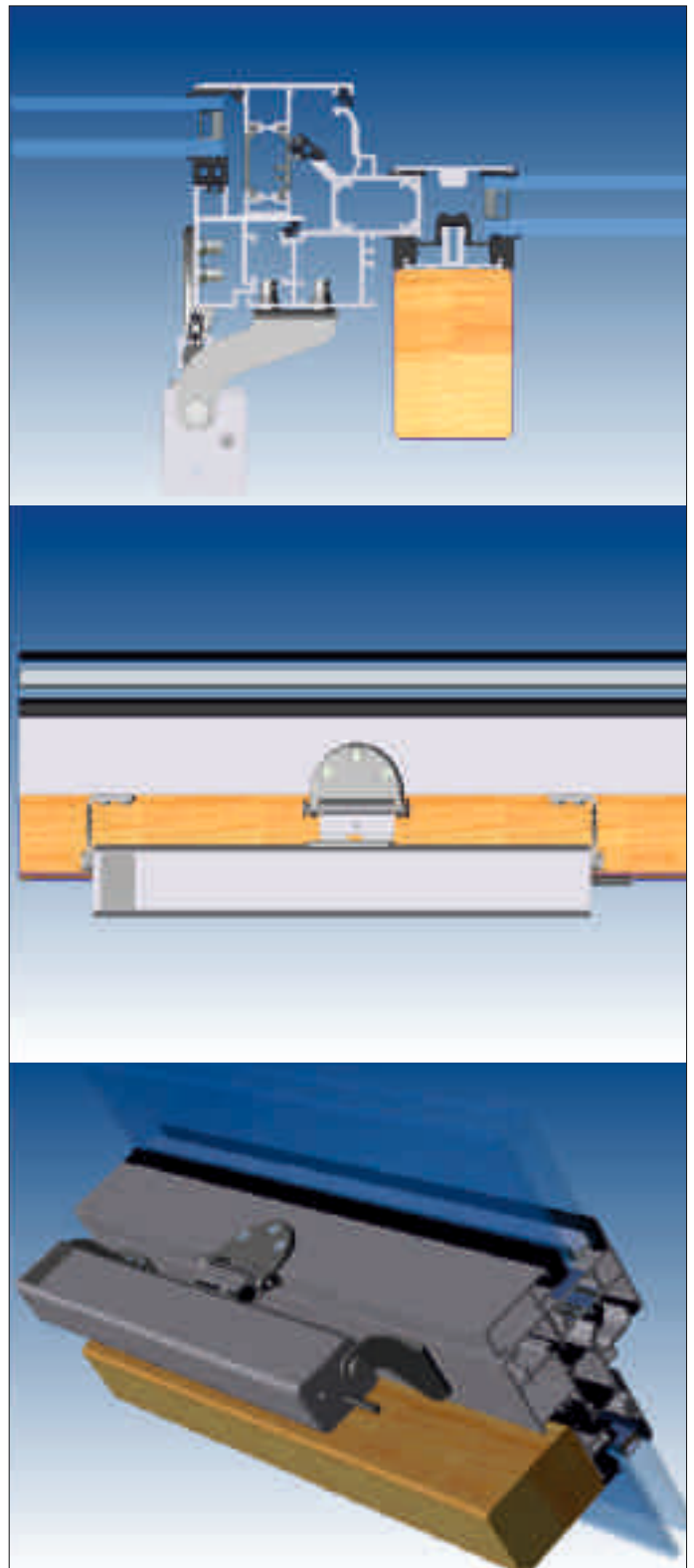
- All materials necessary for fixing are included in the scope of supply of the bracket set

Special colours

- All brackets can be supplied in a special colour as an option, according to RAL Classic (colour chart RAL-K5) (wet-painted or powder-coated)

Documentation

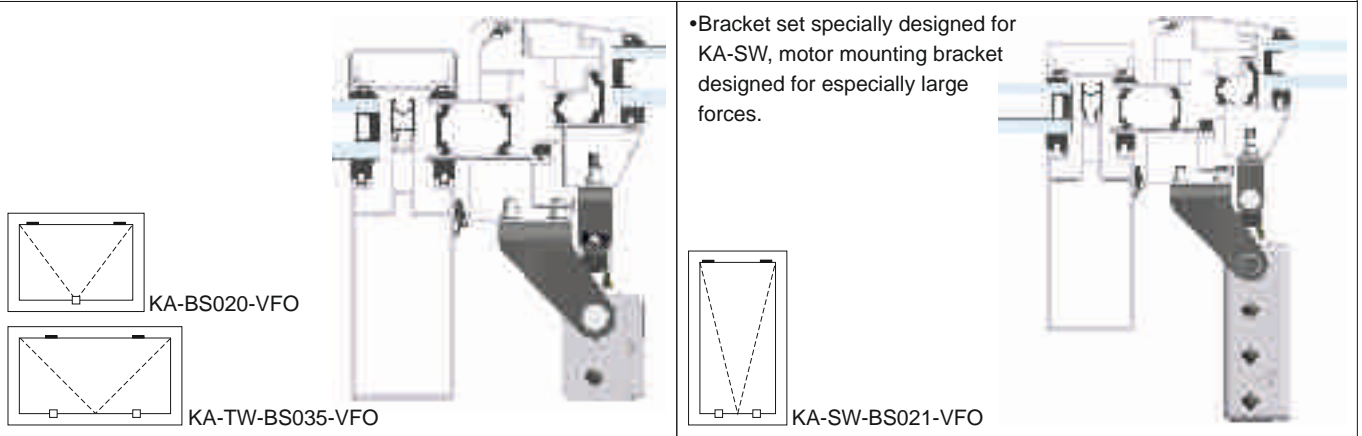
- Application drawings suitable for window and facade manufacturers available



KA bracket sets for Aluprof® Series MB-SR50

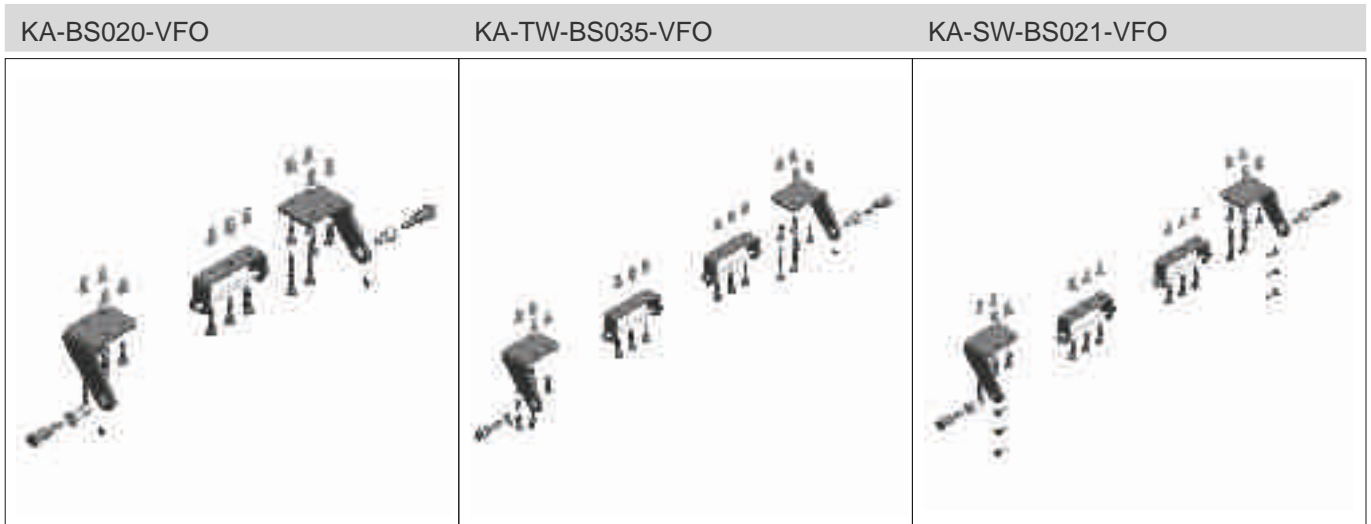
Application

Outward opening roof window



Product information	KA	KA-TW	KA-SW
Type	KA-BS020-VFO	KA-TW-BS035-VFO	KA-SW-BS021-VFO
Art. no. set	26.ABY.KS	26.ACP.KS	26.ABZ.KS
Installation type	surfaced mounted	surfaced mounted	surfaced mounted
Frame material	aluminium window	aluminium window	aluminium window
AD drawing number	AD00090	AD00116	AD00091

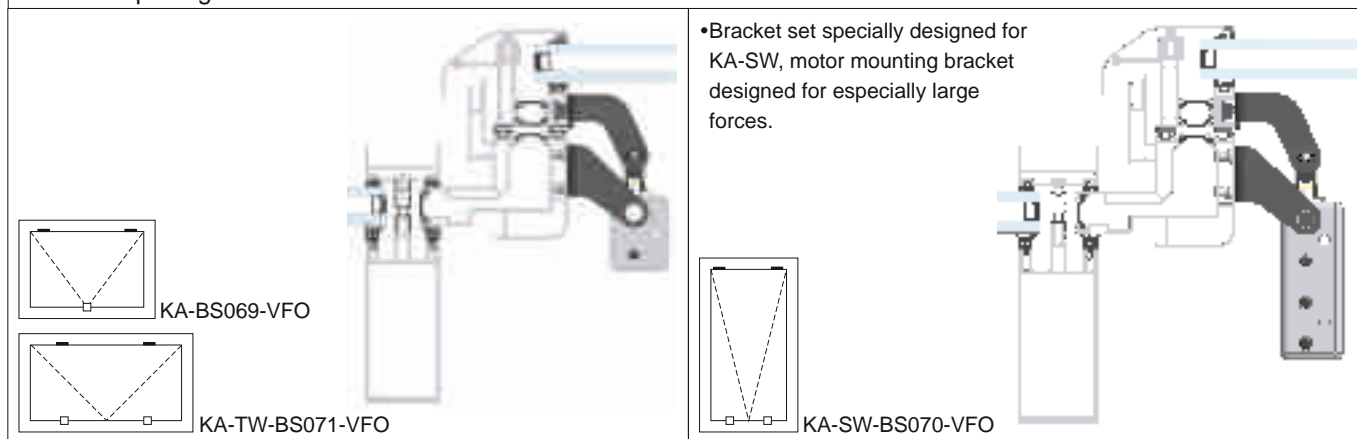
Components	KA-BS020-VFO	KA-TW-BS035-VFO	KA-SW-BS021-VFO
Sash bracket / art. no.	KA-SB009 / 26.ABW.KS	KA-SB009 / 2x 26.ABW.KS	KA-SB009 / 2x 26.ABW.KS
Frame bracket / art. no.	KA-FB010 / 26.ABX.KS	KA-FB010 / 26.ABX.KS	KA-FB010 / 26.ABX.KS
Scope of supply	Complete, including fixing materials		



KA bracket sets for Colt® Series Kameleon E

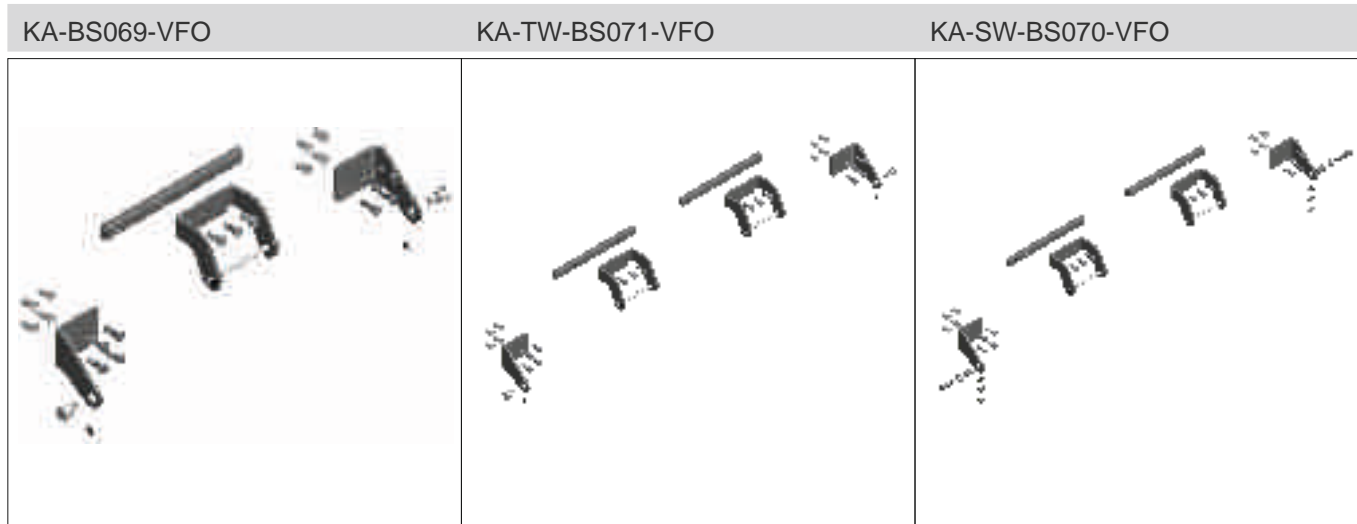
Application

Outward opening roof window



Product information	KA	KA-TW	KA-SW
Type	KA-BS069-VFO	KA-TW-BS071-VFO	KA-SW-BS070-VFO
Art. no. set	26.AEB.KS	26.AED.KS	26.AEC.KS
Installation type	surfaced mounted	surfaced mounted	surfaced mounted
Frame material	aluminium window	aluminium window	aluminium window
AD drawing number	AD00145	AD00146	AD00147

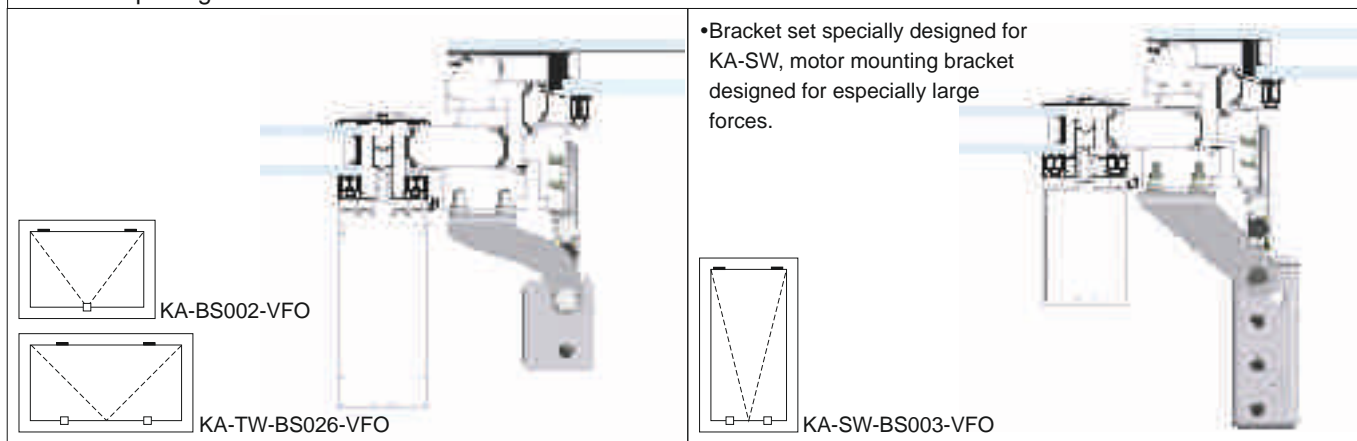
Components	KA-BS069-VFO	KA-TW-BS071-VFO	KA-SW-BS070-VFO
Sash bracket / art. no.	KA-SB012 / 26.AEE.KS	KA-SB012 / 2x 26.AEE.KS	KA-SB012 / 2x 26.AEE.KS
Frame bracket / art. no.	KA-FB010 / 26.ABX.KS	KA-FB010 / 26.ABX.KS	KA-FB010 / 26.ABX.KS
Sliding block / art. no.	sliding block CEKE / 65.403.08	sliding block CEKE / 2x 65.403.08	sliding block CEKE / 2x 65.403.08
Scope of supply	Complete, including fixing materials, sliding block is to be ordered separately		



KA bracket sets for Gutmann® Series S70 roof

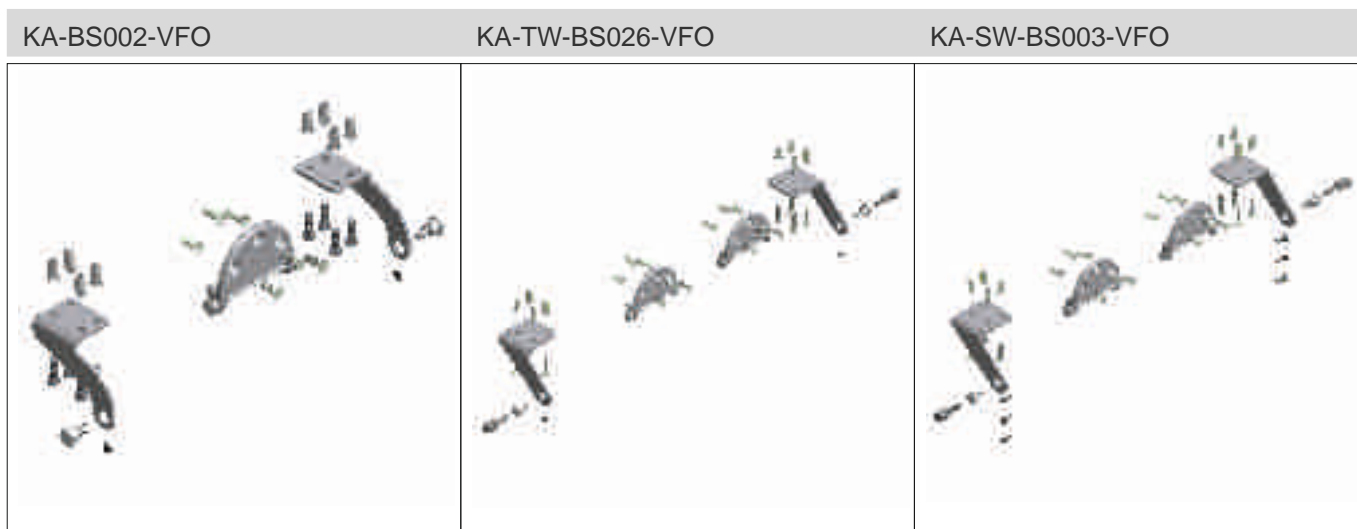
Application

Outward opening roof window



Product information	KA	KA-TW	KA-SW
Type	KA-BS002-VFO	KA-TW-BS026-VFO	KA-SW-BS003-VFO
Art. no. set	26.AAJ.KS	26.ACE.KS	26.AAP.KS
Installation type	surfaced mounted	surfaced mounted	surfaced mounted
Frame material	aluminium window	aluminium window	aluminium window
AD drawing number	Ad00075	AD00107	AD00061

Components	KA-BS002-VFO	KA-TW-BS026-VFO	KA-SW-BS003-VFO
Sash bracket / art. no.	KA-SB001 / 26.AAA.KS	KA-SB001 / 2x 26.AAA.KS	KA-SB001 / 2x 26.AAA.KS
Frame bracket / art. no.	KA-FB004 / 26.AAH.KS	KA-FB005 / 26.AAN.KS	KA-FB005 / 26.AAN.KS
Scope of supply	Complete, including fixing materials		

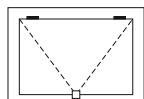
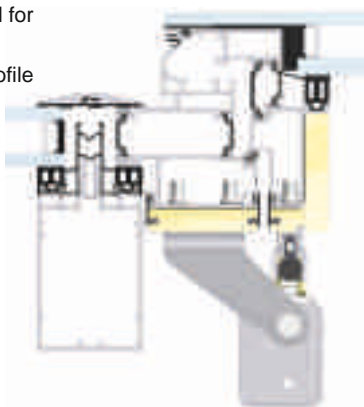


KA bracket sets for Gutmann® Series S70 roof (wooden cladded)

Application

Outward opening roof window

- Bracket set specially designed for fitting in combination with Gutmann wooden cladding profile



KA-BS004-VFO

Product information

KA

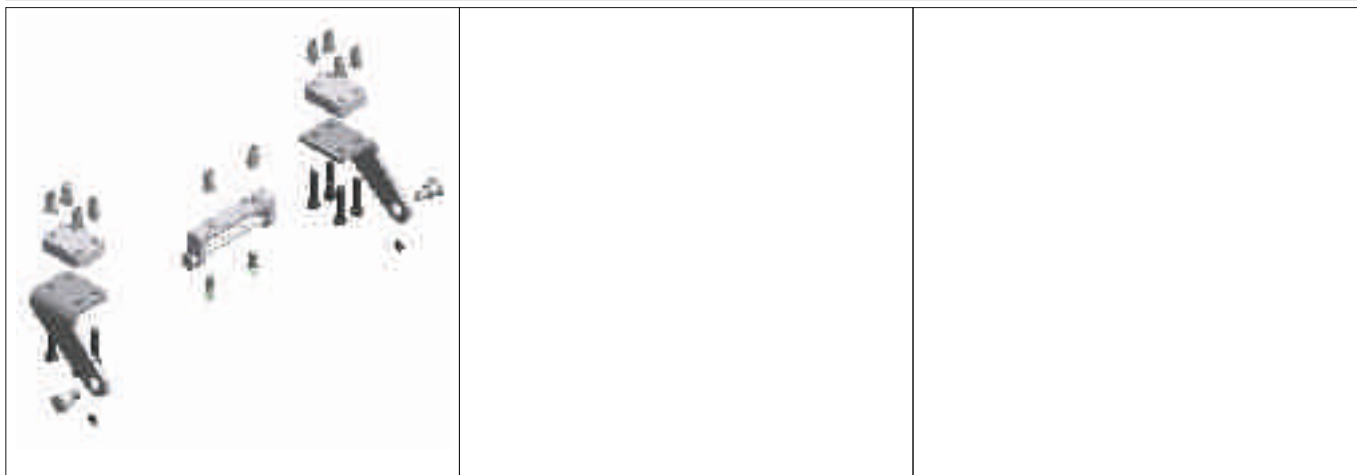
Type	KA-BS004-VFO		
Art. no. set	26.AAT.KS		
Installation type	surfaced mounted		
Frame material	aluminium, wooden cladded		
AD drawing number	AD00077		

Components

KA-BS004-VFO

Sash bracket / art. no.	KA-SB002 / 26.AAS.KS		
Frame bracket / art. no.	KA-FB006 / 26.AAR.KS		
Scope of supply	Complete, including fixing materials		

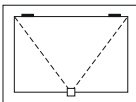
KA-BS004-VFO



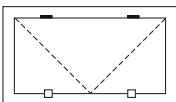
KA bracket sets for Heroal® Series 180

Application

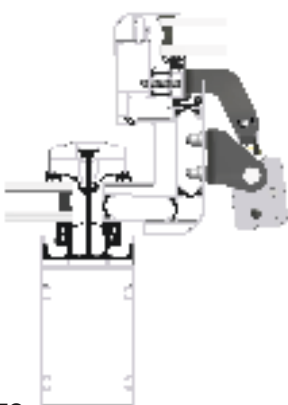
Outward opening roof window



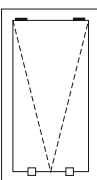
KA-BS011-VFO



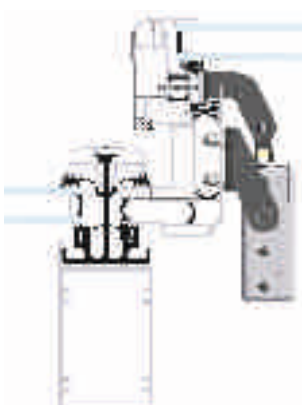
KA-TW-BS029-VFO



•Bracket set specially designed for KA-SW, motor mounting bracket designed for especially large forces.

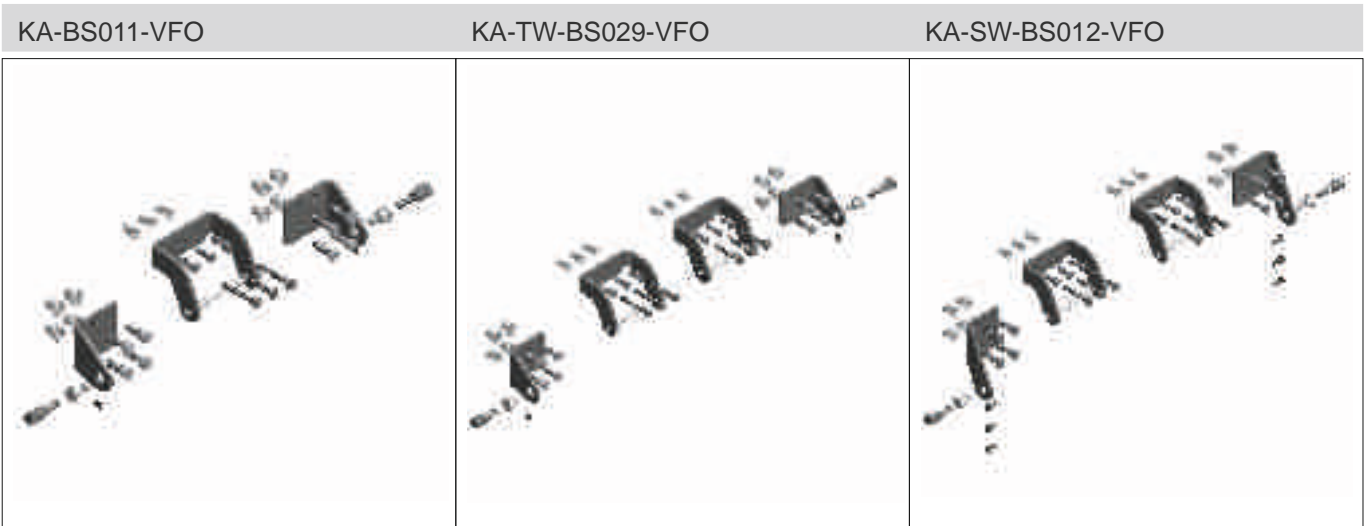


KA-SW-BS012-VFO



Product information	KA	KA-TW	KA-SW
Type	KA-BS011-VFO	KA-TW-BS029-VFO	KA-SW-BS012-VFO
Art. no. set	26.ABJ.KS	26.ACH.KS	26.ABK.KS
Installation type	surfaced mounted	surfaced mounted	surfaced mounted
Frame material	aluminium window	aluminium window	aluminium window
AD drawing number	AD00082	AD00110	AD00083

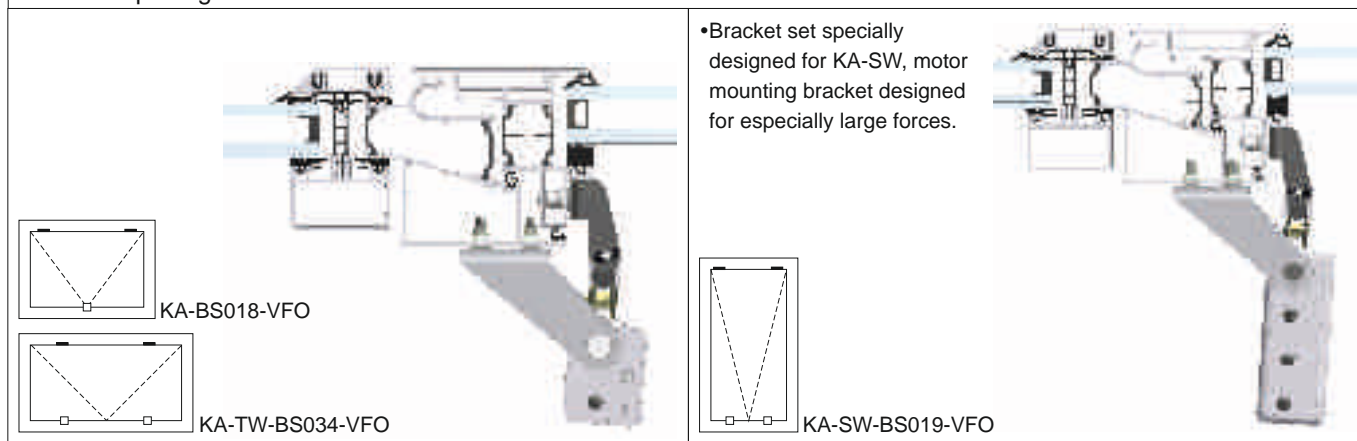
Components	KA-BS011-VFO	KA-TW-BS029-VFO	KA-SW-BS012-VFO
Sash bracket / art. no.	KA-SB006 / 26.ABH.KS	KA-SB006 / 2x 26.ABH.KS	KA-SB006 / 2x 26.ABH.KS
Frame bracket / art. no.	KA-FB008 / 26.ABA.KS	KA-FB008 / 26.ABA.KS	KA-FB009 / 26.ABD.KS
Scope of supply	Complete, including fixing materials		



KA bracket sets for Hueck-Hartmann® Series 85E

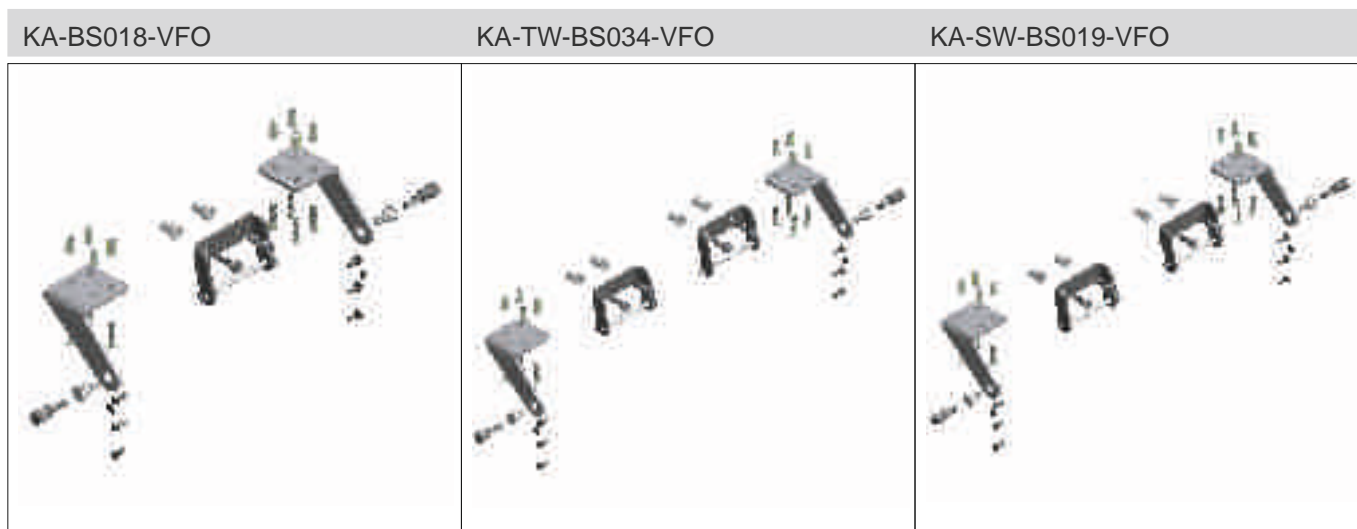
Application

Outward opening roof window



Product information	KA	KA-TW	KA-SW
Type	KA-BS018-VFO	KA-TW-BS034-VFO	KA-SW-BS019-VFO
Art. no. set	26.ABU.KS	26.ACN.KS	26.ABV.KS
Installation type	surfaced mounted	surfaced mounted	surfaced mounted
Frame material	aluminium window	aluminium window	aluminium window
AD drawing number	AD00088	AD00114	AD00089

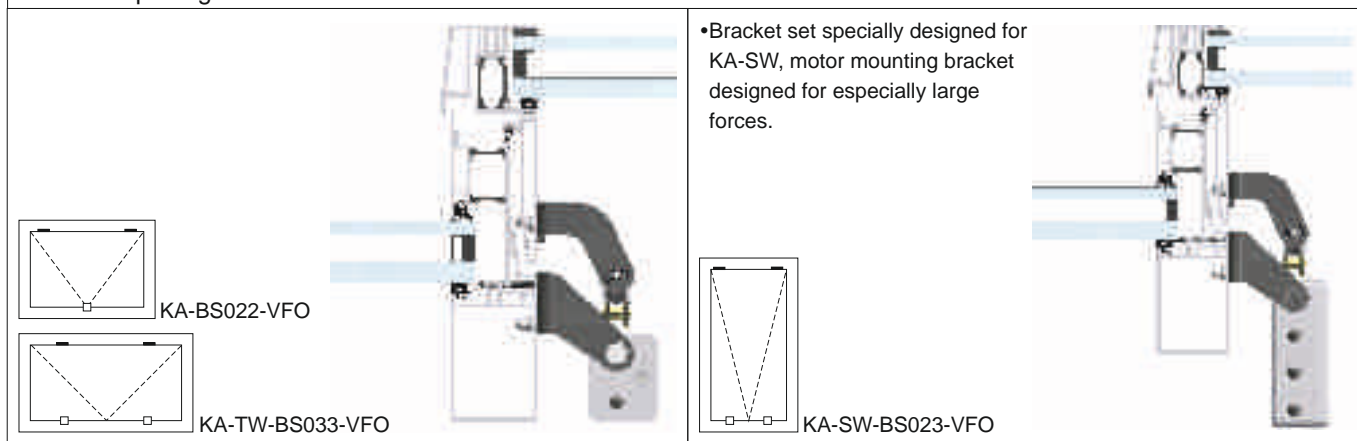
Components	KA-BS018-VFO	KA-TW-BS034-VFO	KA-SW-BS019-VFO
Sash bracket / art. no.	KA-SB008 / 26.ABP.KS	KA-SB008 / 2x 26.ABP.KS	KA-SB008 / 2x 26.ABP.KS
Frame bracket / art. no.	KA-FB005 / 26.AAN.KS	KA-FB005 / 26.AAN.KS	KA-FB005 / 26.AAN.KS
Scope of supply	Complete, including fixing materials		



KA bracket sets for Hueck-Hartmann® Series 1.0 (with insert frame 519 510; 519 511)

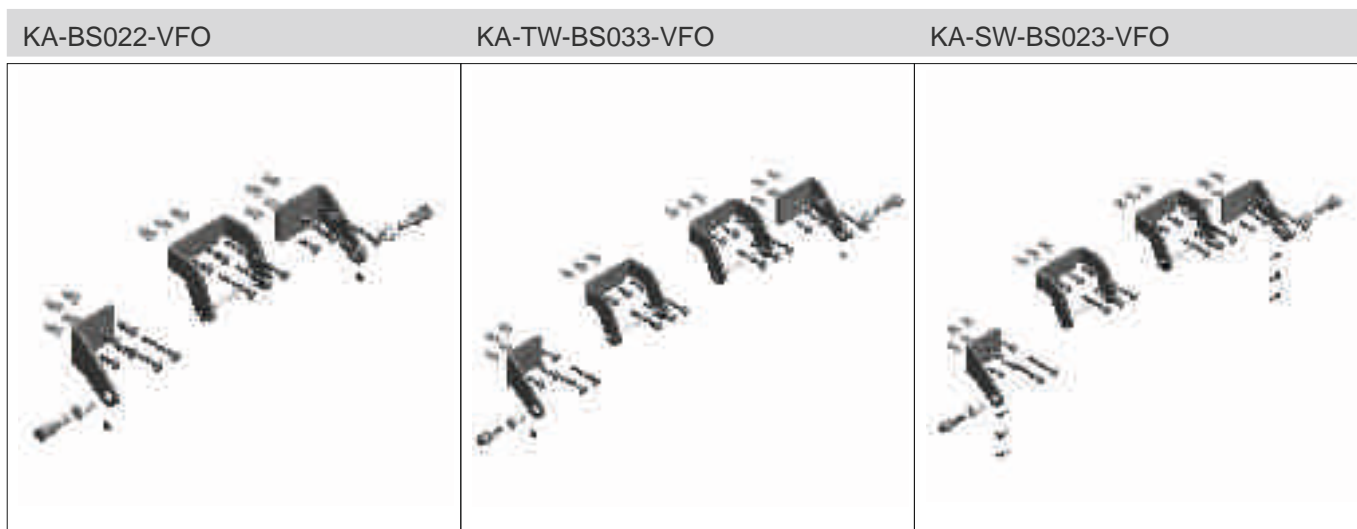
Application

Outward opening roof window



Product information	KA	KA-TW	KA-SW
Type	KA-BS022-VFO	KA-TW-BS033-VFO	KA-SW-BS023-VFO
Art. no. set	26.ACA.KS	26.ACM.KS	26.ACB.KS
Installation type	surfaced mounted	surfaced mounted	surfaced mounted
Frame material	aluminium window	aluminium window	aluminium window
AD drawing number	AD00094 / AD00096	AD00113 / AD00117	AD00095 / AD00097

Components	KA-BKA-BS022-VFO	KA-TW-BS033-VFO	KA-SW-BS023-VFO
Sash bracket / art. no.	KA-SB006 / 26.ABH.KS	KA-SB006 / 2x 26.ABH.KS	KA-SB006 / 2x 26.ABH.KS
Frame bracket / art. no.	KA-FB010 / 26.ABX.KS	KA-FB010 / 26.ABX.KS	KA-FB010 / 26.ABX.KS
Scope of supply	Complete, including fixing materials		

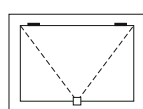


KA bracket sets for Jet Brakel Aero Series Ventria-TG

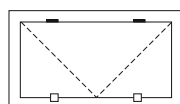
Application

Outward opening roof window

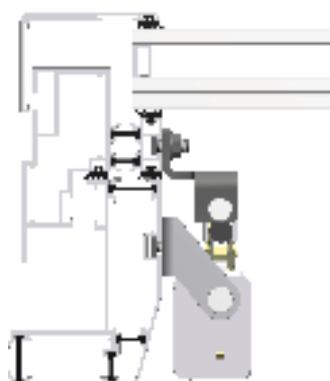
•Fixing material is provided by Jet-Brakel



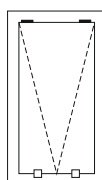
KA-BS005-VFO



KA-TW-BS032-VFO



•Fixing material is provided by Jet-Brakel



KA-SW-BS025-VFO



Product information	KA	KA-TW	KA-SW
Type	KA-BS005-VFO	KA-TW-BS032-VFO	KA-SW-BS025-VFO
Art. no. set	26.AAX.KS	26.ACL.KS	26.ACD.KS
Installation type	surfaced mounted	surfaced mounted	surfaced mounted
Frame material	aluminium window	aluminium window	aluminium window
AD drawing number	–	–	–

Components	KA-BS005-VFO	KA-TW-BS032-VFO	KA-SW-BS025-VFO
Sash bracket / art. no.	KA-SB003 / 26.AAW.KS	KA-SB003 / 2x 26.AAW.KS	KA-SB003 / 2x 26.AAW.KS
Frame bracket / art. no.	KA-FB007 / 26.AAU.KS	KA-FB007 / 26.AAU.KS	KA-FB011 / 26.ACC.KS
Fixing material is provided by Jet-Brakel			

KA-BS005-VFO

KA-TW-BS032-VFO

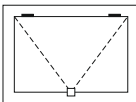
KA-SW-BS025-VFO



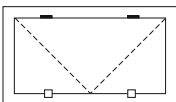
KA bracket sets for Raico® Series Wing 105D

Application


Outward opening roof window



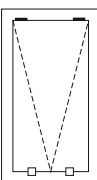
KA-BS002-VFO



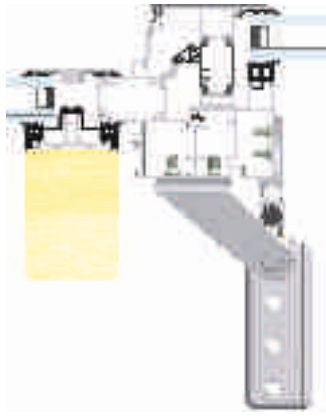
KA-TW-BS026-VFO



•Konsolensatz speziell für KA-SW, Motormontagewinkel sind für eine besonders hohe Kräfteinleitung ausgelegt






KA-SW-BS003-VFO



Product information	KA	KA-TW	KA-SW
Type	KA-BS002-VFO	KA-TW-BS026-VFO	KA-SW-BS003-VFO
Art. no. set	26.AAJ.KS	26.ACE.KS	26.AAP.KS
Installation type	surfaced mounted	surfaced mounted	surfaced mounted
Frame material	aluminium window	aluminium window	aluminium window
AD drawing number	AD00042	AD00105	AD00060

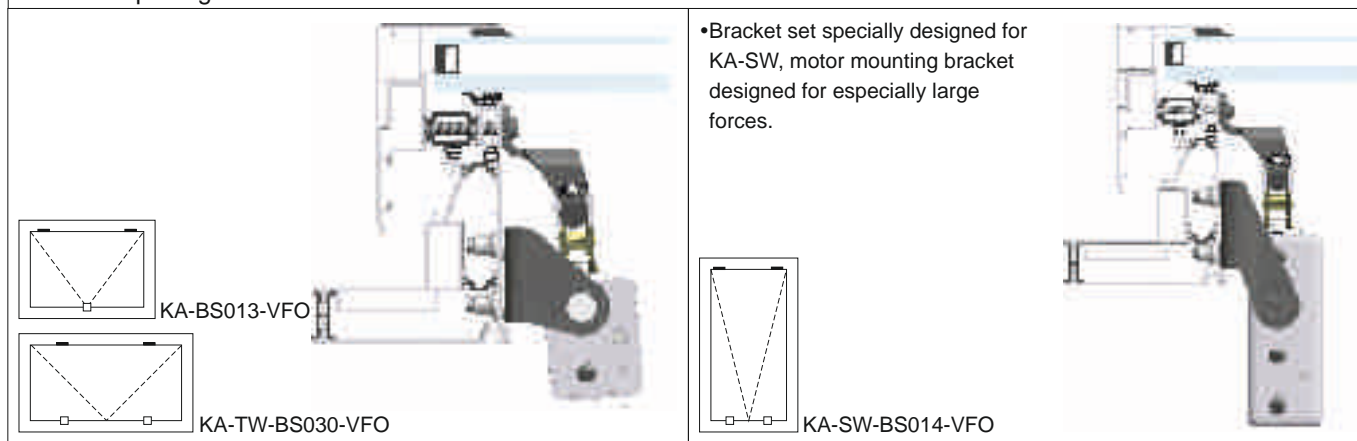
Components	KA-BS002-VFO	KA-TW-BS026-VFO	KA-SW-BS003-VFO
Sash bracket / art. no.	KA-SB001 / 26.AAA.KS	KA-SB001 / 2x 26.AAA.KS	KA-SB001 / 2x 26.AAA.KS
Frame bracket / art. no.	KA-FB004 / 26.AAH.KS	KA-FB005 / 26.AAN.KS	KA-FB005 / 26.AAN.KS
Scope of supply	Complete, including fixing materials		

KA-BS002-VFO	KA-TW-BS026-VFO	KA-SW-BS003-VFO
		

KA bracket sets for Reynaers® Series CR 120

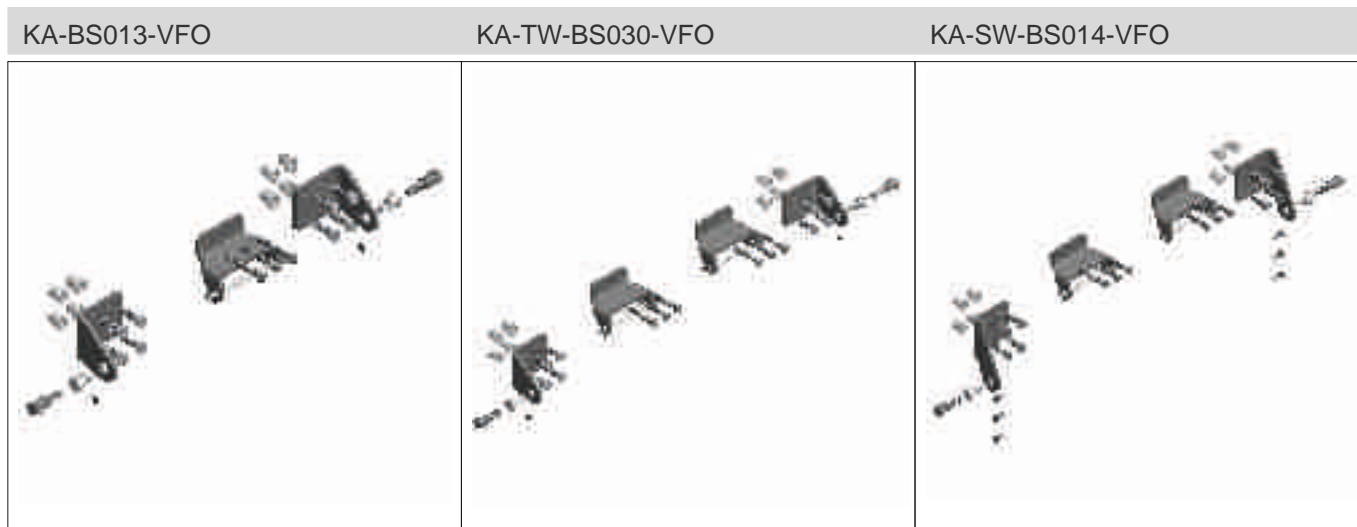
Application

Outward opening roof window



Product information	KA	KA-TW	KA-SW
Type	KA-BS013-VFO	KA-TW-BS030-VFO	KA-SW-BS014-VFO
Art. no. set	26.ABM.KS	26.ACJ.KS	26.ABN.KS
Installation type	surfaced mounted	surfaced mounted	surfaced mounted
Frame material	aluminium window	aluminium window	aluminium window
AD drawing number	AD00084	AD00111	AD00085

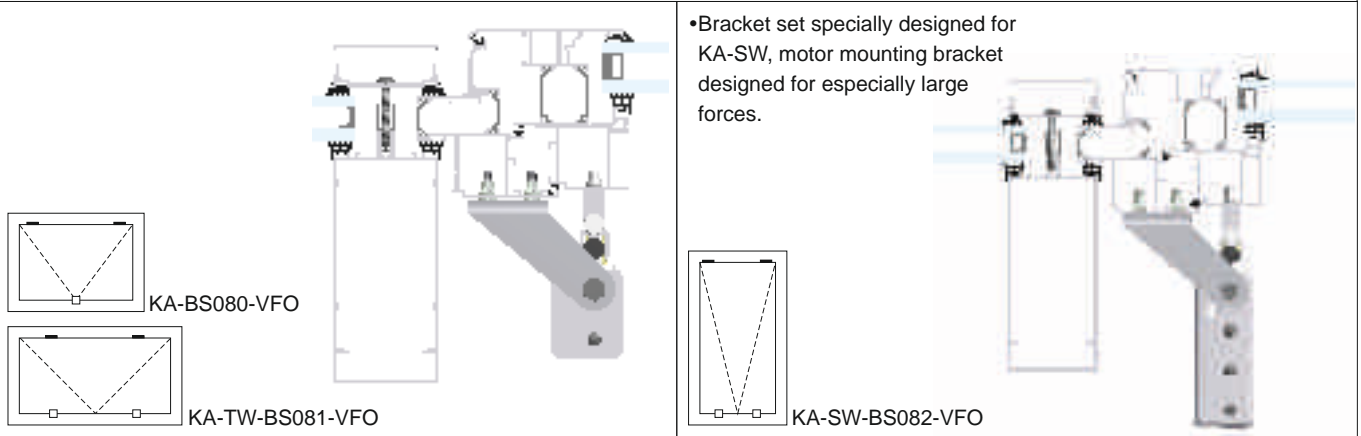
Components	KA-BS013-VFO	KA-TW-BS030-VFO	KA-SW-BS014-VFO
Sash bracket / art. no.	KA-SB007 / 26.ABL.KS	KA-SB007 /2x 26.ABL.KS	KA-SB007 /2x 26.ABL.KS
Frame bracket / art. no.	KA-FB008 / 26.ABA.KS	KA-FB008 / 26.ABA.KS	KA-FB009 / 26.ABD.KS
Scope of supply	Complete, including fixing materials		



KA bracket sets for Reynaers® Flush roof vent

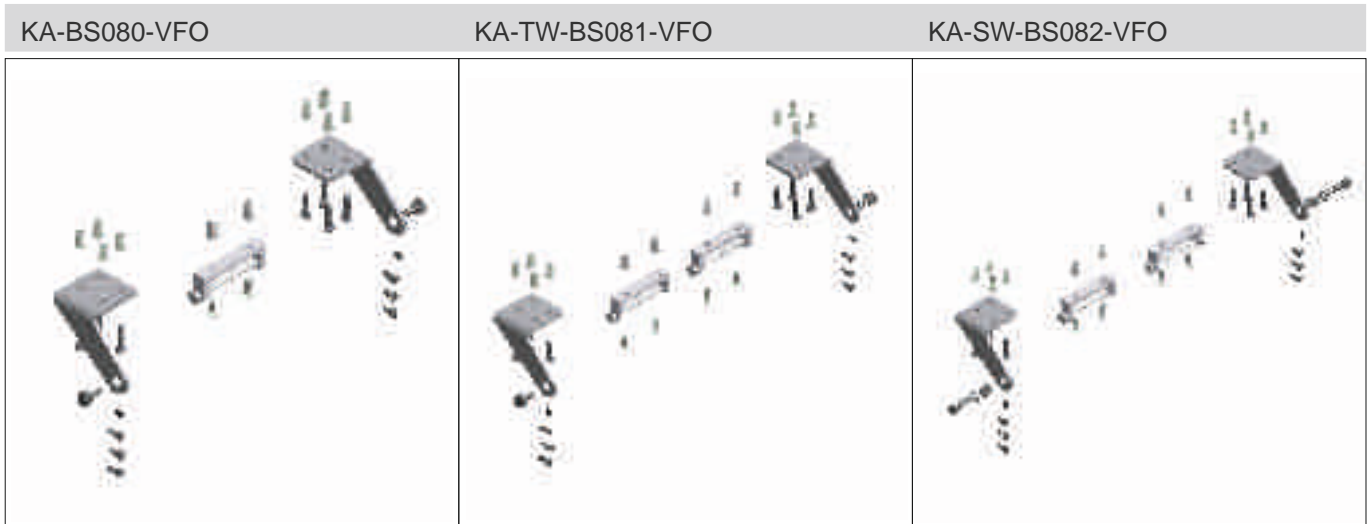
Application

Outward opening roof window



Product information	KA	KA-TW	KA-SW
Type	KA-BS080-VFO	KA-TW-BS081-VFO	KA-SW-BS082-VFO
Art. no. set	26.AFE.KS	26.AFG.KS	26.AFH.KS
Installation type	surfaced mounted	surfaced mounted	surfaced mounted
Frame material	aluminium window	aluminium window	aluminium window
AD drawing number	AD00240	AD00241	AD00242

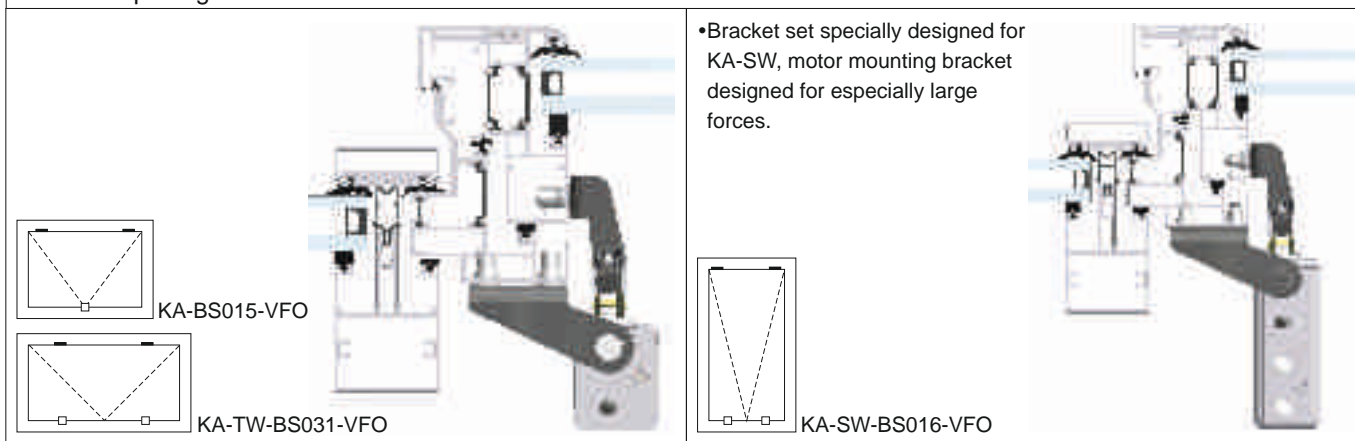
Components	KA-BS080-VFO	KA-TW-BS081-VFO	KA-SW-BS082-VFO
Sash bracket / art. no.	KA-SB002 / 26.AAS.KS	KA-SB002 / 2x 26.AAS.KS	KA-SB002 / 2x 26.AAS.KS
Frame bracket / art. no.	KA-FB005 / 26.AAN.KS	KA-FB005 / 26.AAN.KS	KA-FB005 / 26.AAN.KS
Scope of supply	Complete, including fixing materials		



KA bracket sets for Sapa® Series SFB 5050/5060

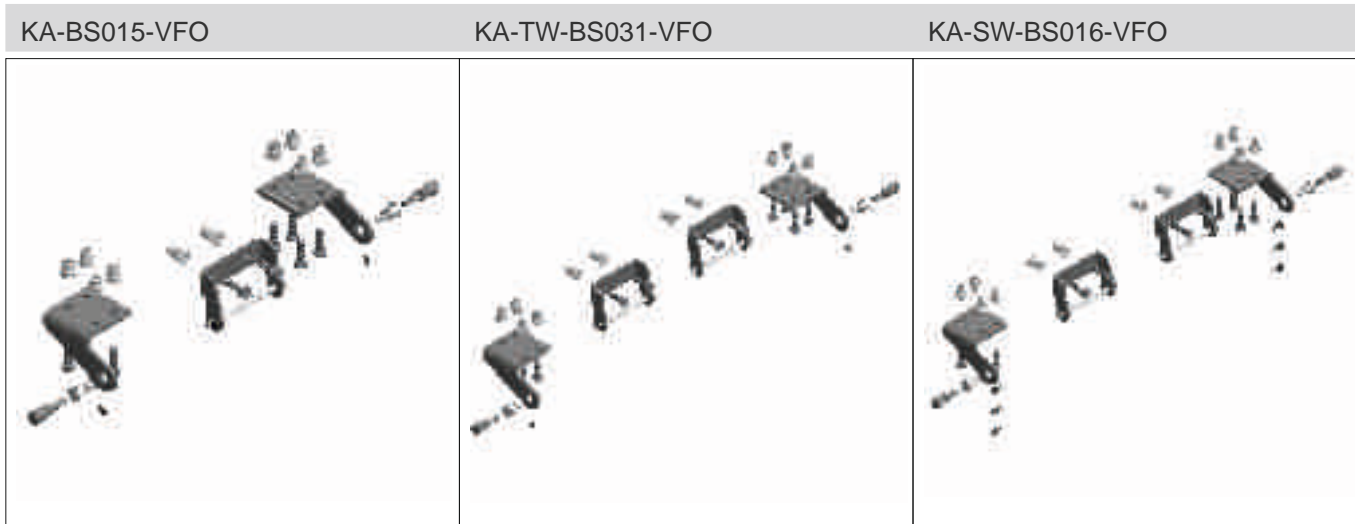
Application

Outward opening roof window



Product information	KA	KA-TW	KA-SW
Type	KA-BS015-VFO	KA-TW-BS031-VFO	KA-SW-BS016-VFO
Art. no. set	26.ABR.KS	26.ACK.KS	26.ABS.KS
Installation type	surfaced mounted	surfaced mounted	surfaced mounted
Frame material	aluminium window	aluminium window	aluminium window
AD drawing number	AD00086	AD00114	AD00087

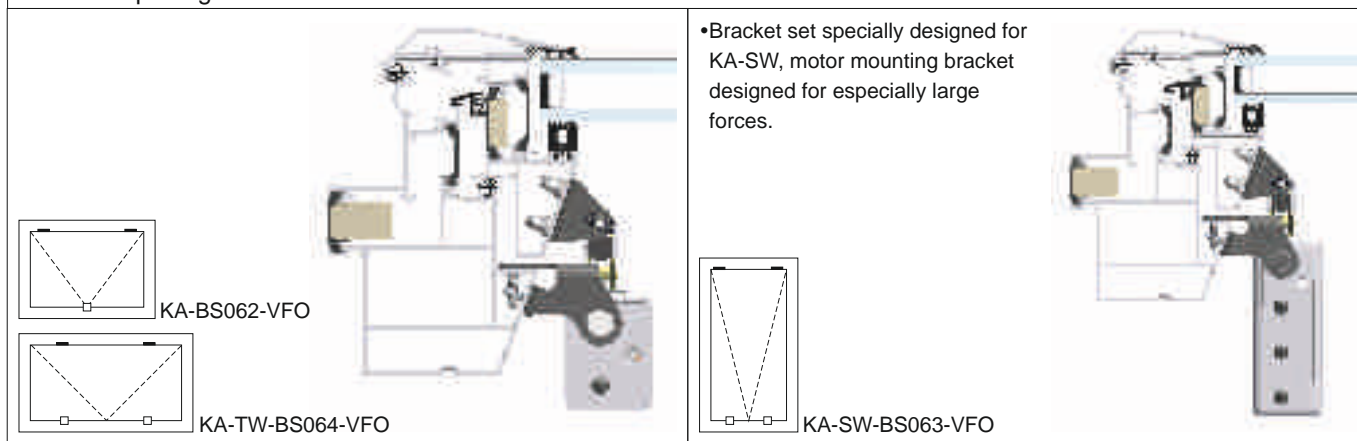
Components	KA-BS015-VFO	KA-TW-BS031-VFO	KA-SW-BS016-VFO
Sash bracket / art. no.	KA-SB008 / 26.ABP.KS	KA-SB008 / 2x 26.ABP.KS	KA-SB008 / 2x 26.ABP.KS
Frame bracket / art. no.	KA-FB009 / 26.ABD.KS	KA-FB009 / 26.ABD.KS	KA-FB009 / 26.ABD.KS
Scope of supply	Complete, including fixing materials		



KA bracket sets for Schüco® Serie AWS 57 RO (outer frame 331 810, 331 820, 369 770, 369 780)

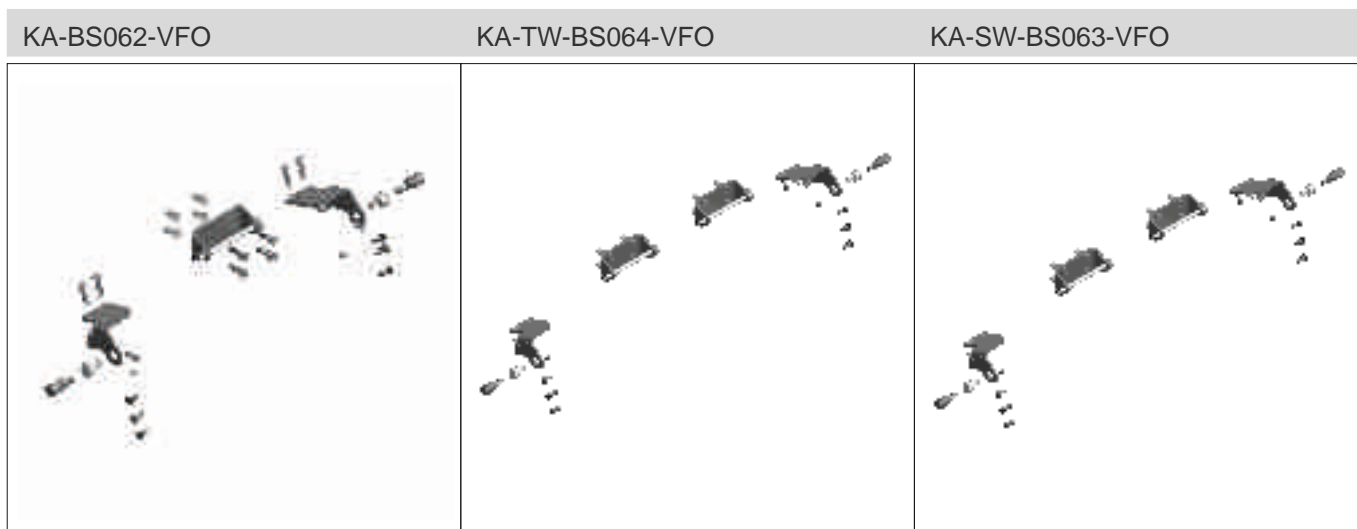
Application

Outward opening roof window



Product information	KA	KA-TW	KA-SW
Type	KA-BS062-VFO	KA-TW-BS064-VFO	KA-SW-BS063-VFO
Art. no. set	26.ADY.KS	26.AEA.KS	26.ADZ.KS
Installation type	surfaced mounted	surfaced mounted	surfaced mounted
Frame material	aluminium window	aluminium window	aluminium window
AD drawing number	AD00122	AD00123	AD00121

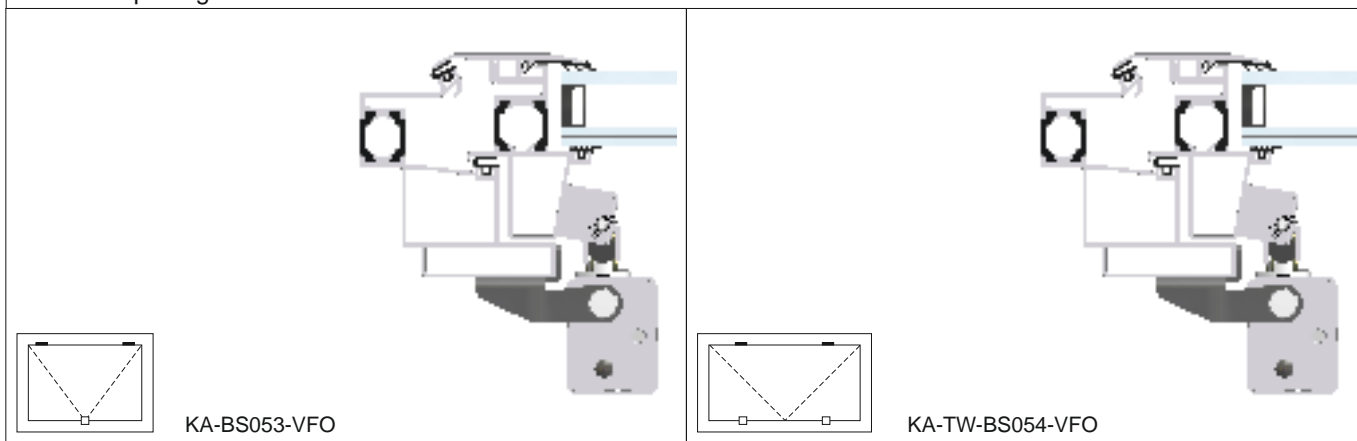
Components	KA-BS062-VFO	KA-TW-BS064-VFO	KA-SW-BS063-VFO
Sash bracket / art. no.	KA-SB010 / 26.ADW.KS	KA-SB010 / 2x 26.ADW.KS	KA-SB010 / 2x 26.ADW.KS
Frame bracket / art. no.	KA-FB013 / 26.ADX.KS	KA-FB013 / 26.ADX.KS	KA-FB013 / 26.ADX.KS
Scope of supply	Complete, including fixing materials		



KA bracket sets for Schüco® Series Royal S 47D

Application

Outward opening roof window



KA-BS053-VFO

KA-TW-BS054-VFO

Product information	KA	KA-TW	
Type	KA-BS053-VFO	KA-TW-BS054-VFO	
Art. no. set	26.ADR.KS	26.ADS.KS	
Installation type	surfaced mounted	surfaced mounted	
Frame material	aluminium window	aluminium window	
AD drawing number	AD00141	AD00142	

Components	KA-BS053-VFO	KA-TW-BS054-VFO	
Sash bracket / art. no.	–	–	
Frame bracket / art. no.	–	–	
Scope of supply	without fixing material		

KA-BS053-VFO

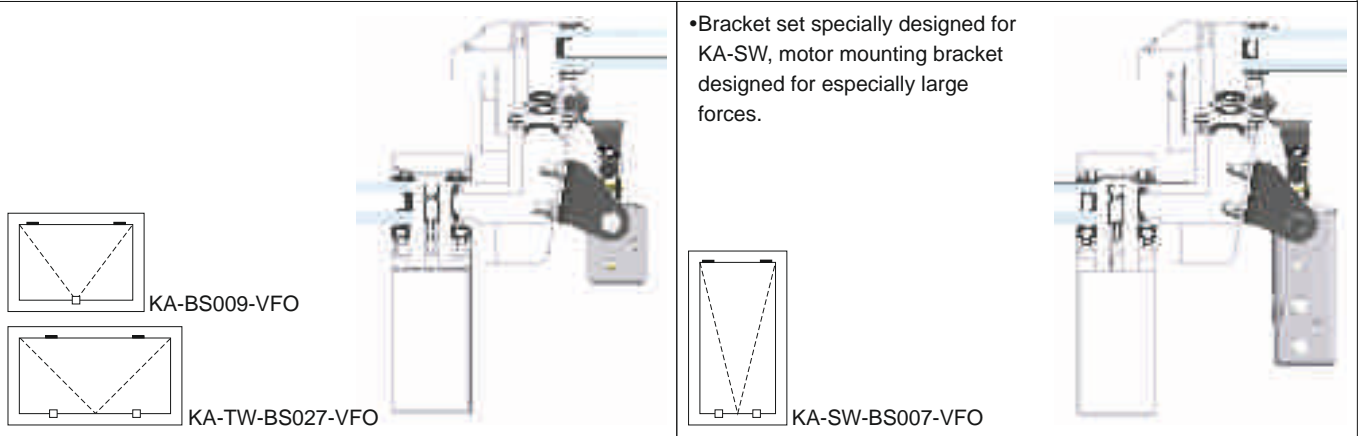
KA-TW-BS054-VFO



KA bracket sets for Schüco® Series Royal S 88D

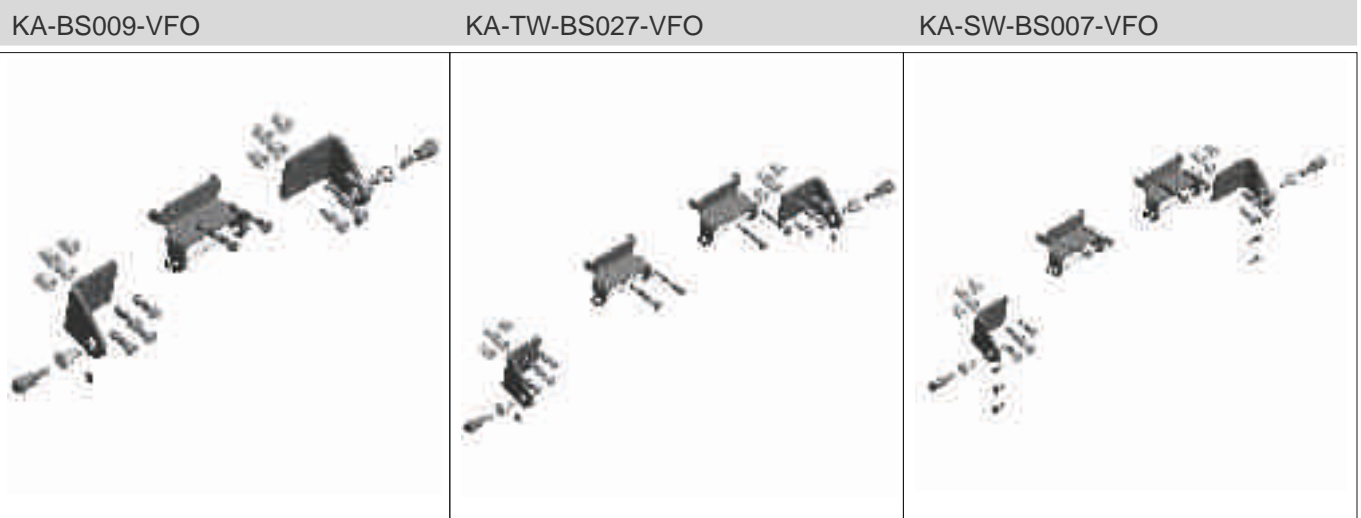
Application

Outward opening roof window



Product information	KA	KA-TW	KA-SW
Type	KA-BS009-VFO	KA-TW-BS027-VFO	KA-SW-BS007-VFO
Art. no. set	26.ABF.KS	26.ACF.KS	26.ABB.KS
Installation type	surfaced mounted	surfaced mounted	surfaced mounted
Frame material	aluminium window	aluminium window	aluminium window
AD drawing number	AD00079	AD00108	AD00078

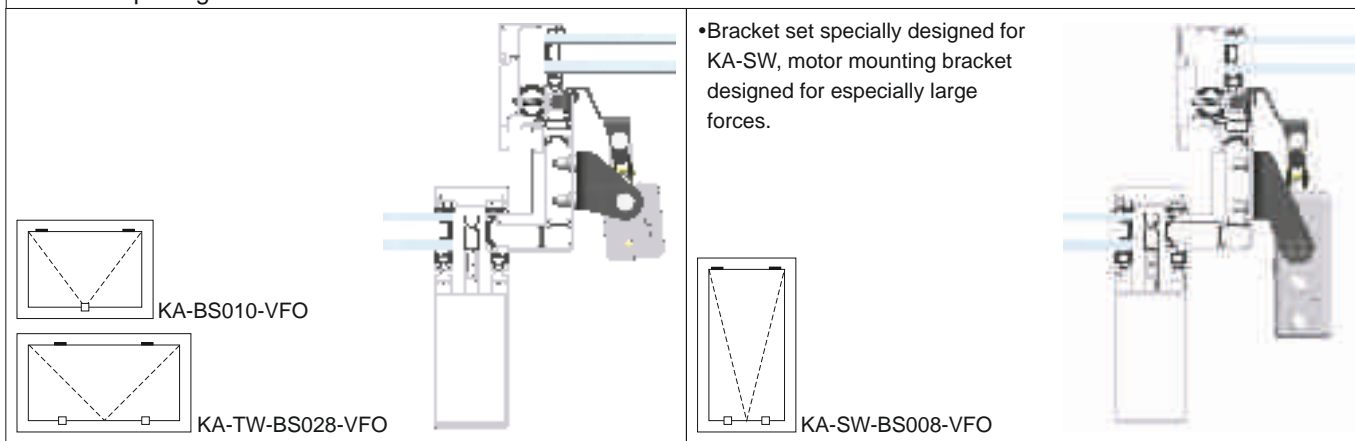
Components	KA-BS009-VFO	KA-TW-BS027-VFO	KA-SW-BS007-VFO
Sash bracket / art. no.	KA-SB004 / 26.AAZ.KS	KA-SB004 / 2x 26.AAZ.KS	KA-SB004 / 2x 26.AAZ.KS
Frame bracket / art. no.	KA-FB008 / 26.ABA.KS	KA-FB008 / 26.ABA.KS	KA-FB008 / 26.ABA.KS
Scope of supply	Complete, including fixing materials		



KA bracket sets for Schüco® Series Royal S 106D

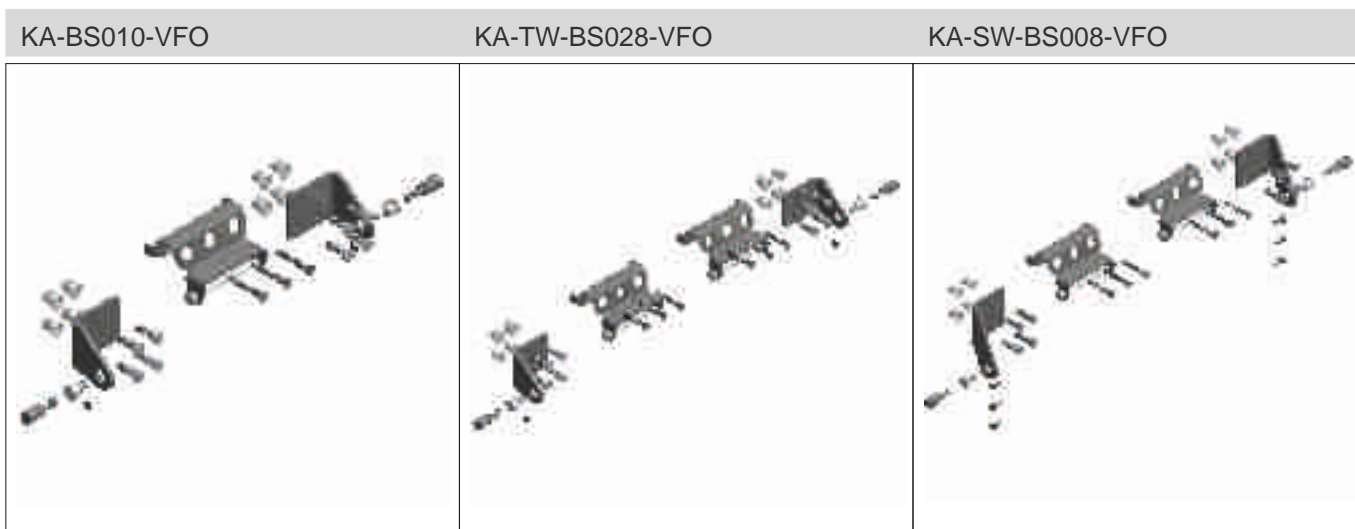
Application

Outward opening roof window



Product information	KA	KA-TW	KA-SW
Type	KA-BS010-VFO	KA-TW-BS028-VFO	KA-SW-BS008-VFO
Art. no. set	26.ABG.KS	26.ACG.KS	26.ABE.KS
Installation type	surfaced mounted	surfaced mounted	surfaced mounted
Frame material	aluminium window	aluminium window	aluminium window
AD drawing number	AD00081	AD00109	AD00080

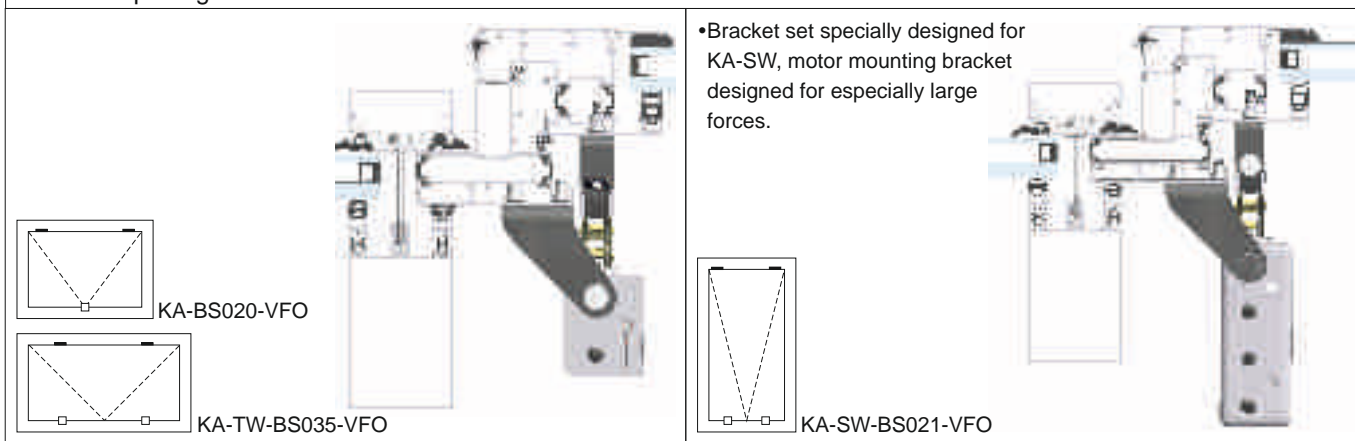
Components	KA-BS010-VFO	KA-TW-BS028-VFO	KA-SW-BS008-VFO
Sash bracket / art. no.	KA-SB005 / 26.ABC.KS	KA-SB005 / 2x 26.ABC.KS	KA-SB005 / 2x 26.ABC.KS
Frame bracket / art. no.	KA-FB008 / 26.ABA.KS	KA-FB008 / 26.ABA.KS	KA-FB009 / 26.ABD.KS
Scope of supply	Complete, including fixing materials		



KA bracket sets for Technal® Series MX

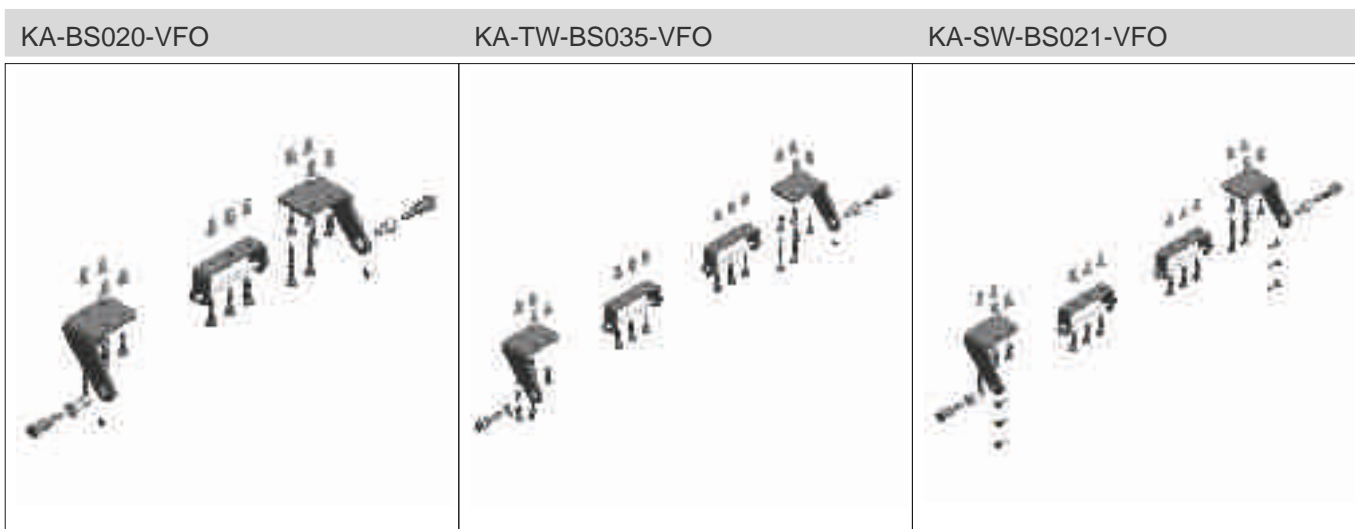
Application

Outward opening roof window



Product information	KA	KA-TW	KA-SW
Type	KA-BS020-VFO	KA-TW-BS035-VFO	KA-SW-BS021-VFO
Art. no. set	26.ABY.KS	26.ACP.KS	26.ABZ.KS
Installation type	surfaced mounted	surfaced mounted	surfaced mounted
Frame material	aluminium window	aluminium window	aluminium window
AD drawing number	AD00092	AD00115	AD00093

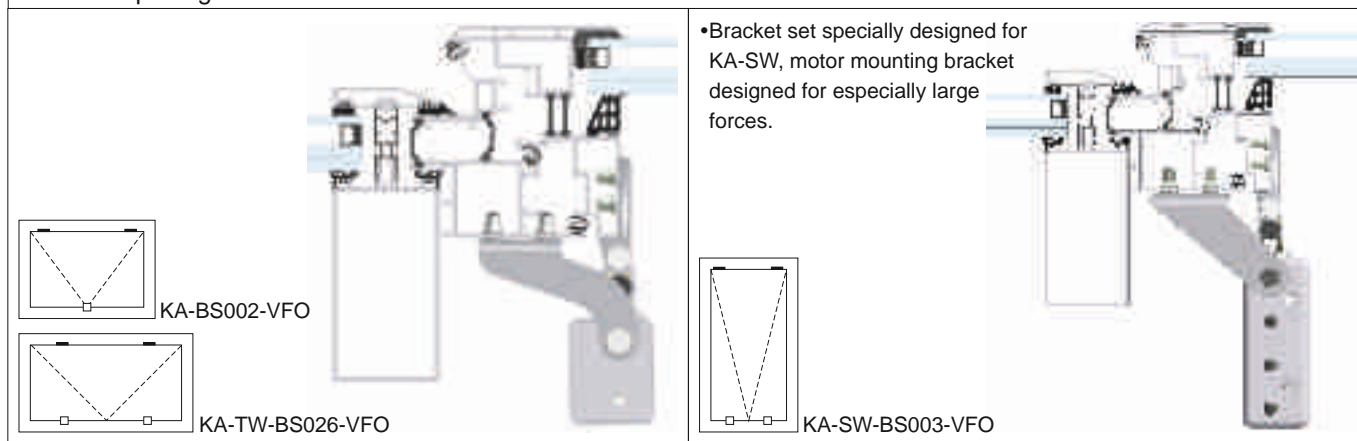
Components	KA-BS020-VFO	KA-TW-BS035-VFO	KA-SW-BS021-VFO
Sash bracket / art. no.	KA-SB009 / 26.ABW.KS	KA-SB009 / 2x 26.ABW.KS	KA-SB009 / 2x 26.ABW.KS
Frame bracket / art. no.	KA-FB010 / 26.ABX.KS	KA-FB010 / 26.ABX.KS	KA-FB010 / 26.ABX.KS
Scope of supply	Complete, including fixing materials		



KA bracket sets for Wicona® Series Wictec 50/60

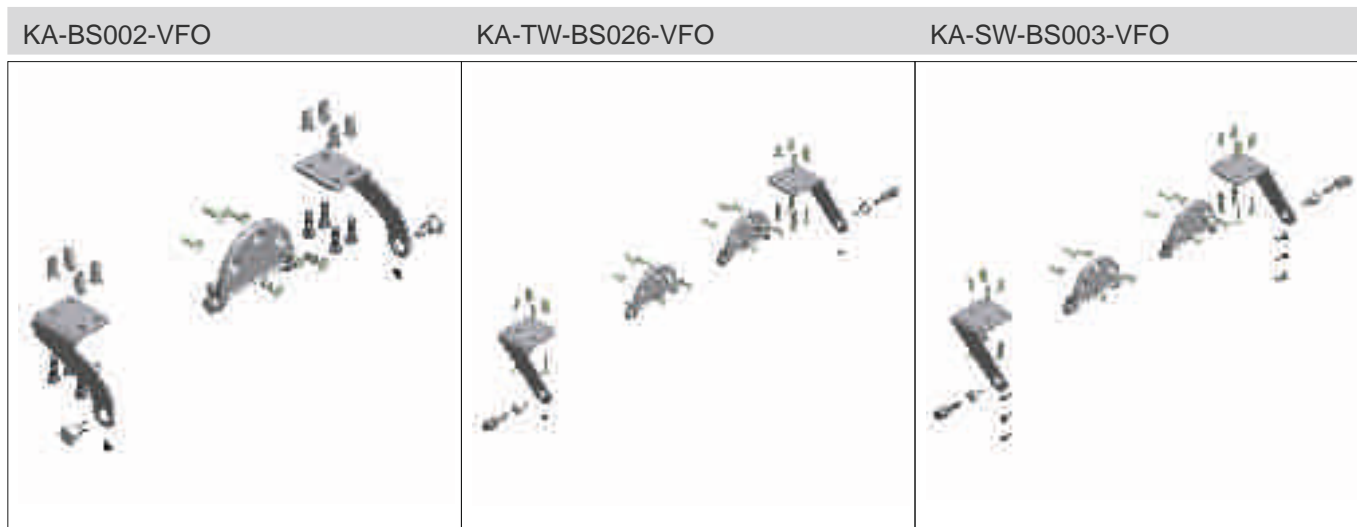
Application

Outward opening roof window



Product information	KA	KA-TW	KA-SW
Type	KA-BS002-VFO	KA-TW-BS026-VFO	KA-SW-BS003-VFO
Art. no. set	26.AAJ.KS	26.ACE.KS	26.AAP.KS
Installation type	surfaced mounted	surfaced mounted	surfaced mounted
Frame material	aluminium window	aluminium window	aluminium window
AD drawing number	AD00076	AD00106	AD00062

Components	KA-BS002-VFO	KA-TW-BS026-VFO	KA-SW-BS003-VFO
Sash bracket / art. no.	KA-SB001 / 26.AAA.KS	KA-SB001 / 2x 26.AAA.KS	KA-SB001 / 2x 26.AAA.KS
Frame bracket / art. no.	KA-FB004 / 26.AAH.KS	KA-FB005 / 26.AAN.KS	KA-FB005 / 26.AAN.KS
Scope of supply	Complete, including fixing materials		



KA bracket sets

Installation solutions for top-hung windows

Arguments for D+H installation solutions

Efficiency

- Time-saving installation through optimal adaptation of the bracket set for the particular profile
- no additional adaptation work on the bracket necessary

EN 12101-2 tested

- The bracket sets were tested in combination with an automatic SHEV according to DIN EN 12101-2 (classification reports are still being produced in part).

Functional safety

- Optimum adaptation of the bracket to the particular drive system guarantees complete functional safety

Complete scope of supply

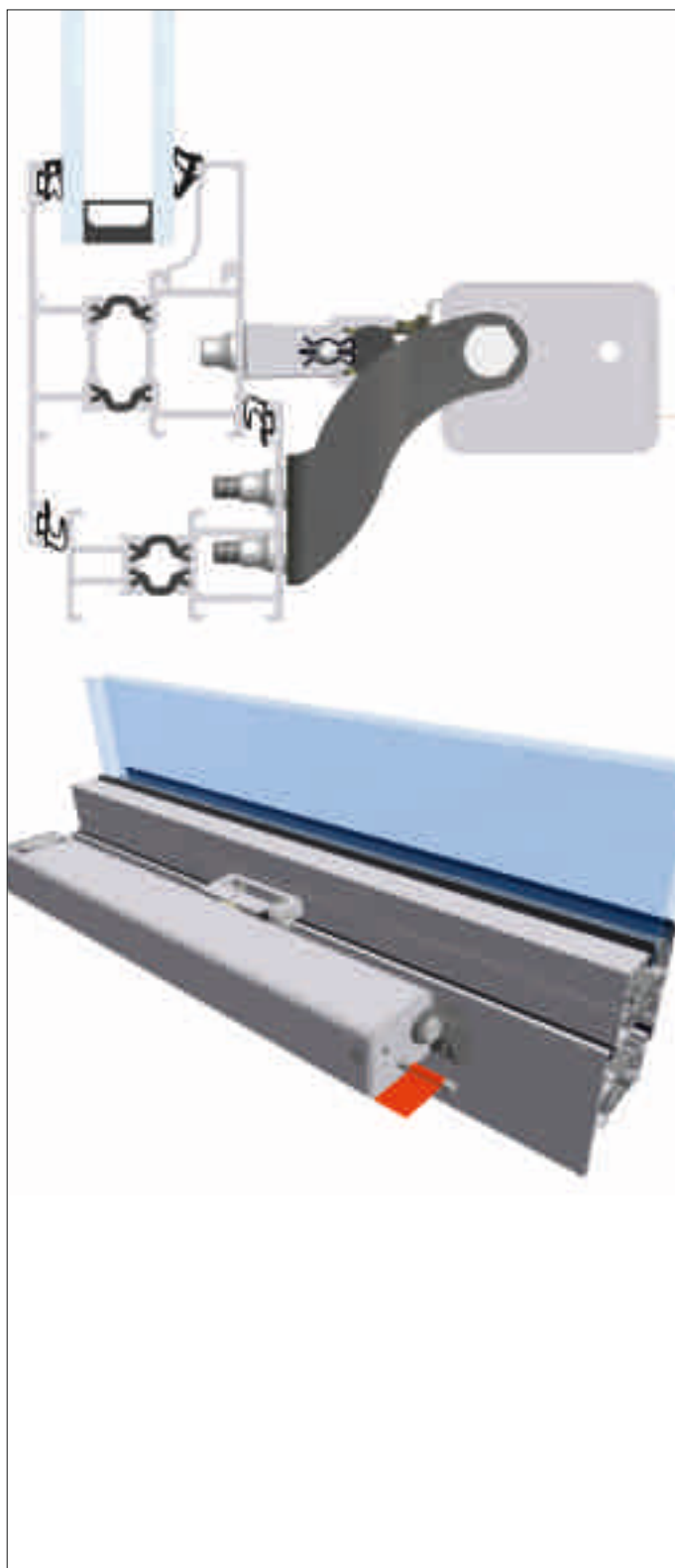
- All materials necessary for fixing are included in the scope of supply of the bracket set

Special colours

- All brackets can be supplied in a special colour as an option, according to RAL Classic (colour chart RAL-K5) (wet-painted or powder-coated)

Documentation

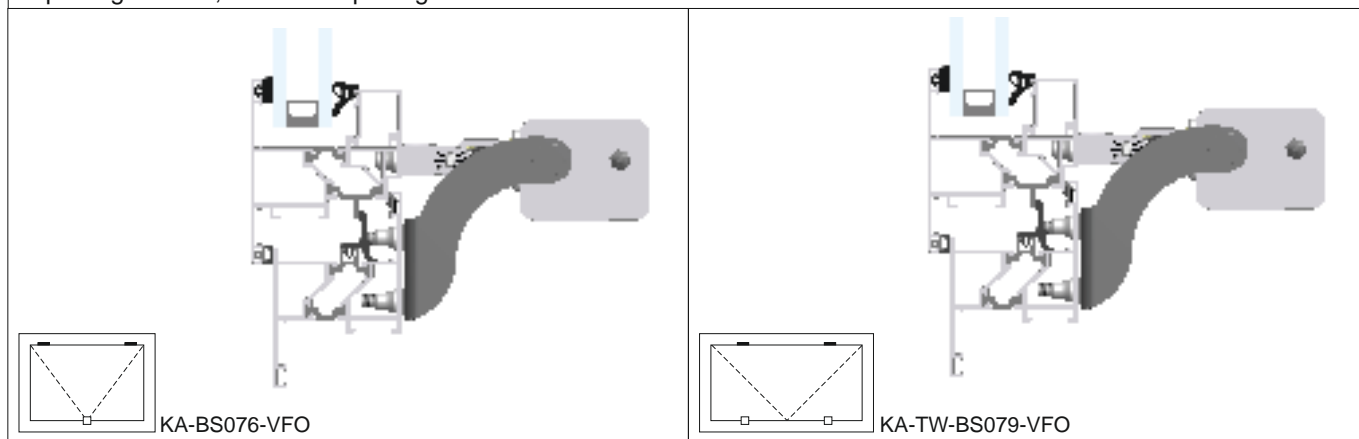
- Application drawings suitable for window and facade manufacturers available



KA bracket sets for Aluprof® Series MB 59 Casment

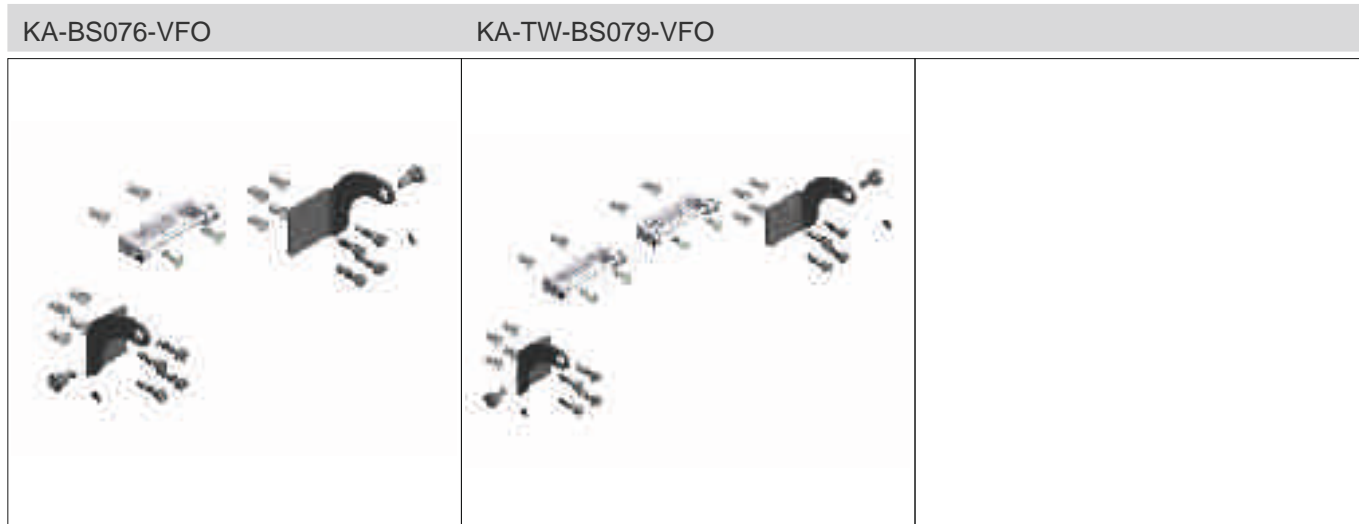
Application

Top-hung window, outwards opening



Product information	KA	KA-TW	
Type	KA-BS076-VFO	KA-TW-BS079-VFO	
Art. no. set	26.AEY.KS	26.AFD.KS	
Installation type	surfaced mounted	surfaced mounted	
Frame material	aluminium window	aluminium windowr	
AD drawing number	AD00267	AD00268	

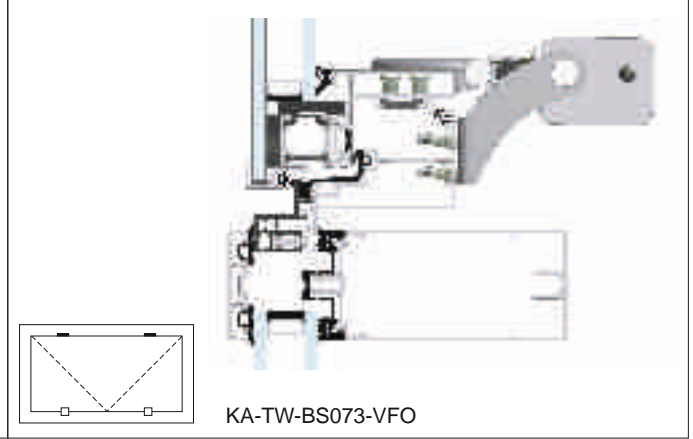
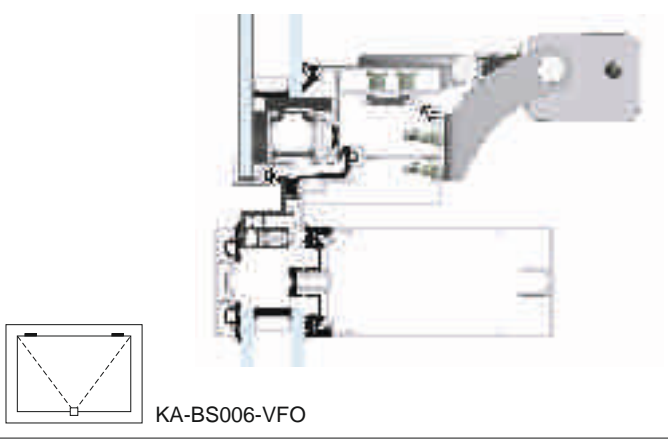
Components	KA-BS076-VFO	KA-TW-BS079-VFO	
Sash bracket / art. no.	KA-SB002 / 26.AAS.KS	KA-SB002 / 2x 26.AAS.KS	
Frame bracket / art. no.	KA-FB015 / 26.AEX.KS	KA-FB015 / 26.AEX.KS	
Scope of supply	Complete, including fixing materials		



KA bracket sets for Raico® Series Wing 50 A-R, A-S

Application

Top-hung window, outwards opening



Product information

	KA	KA-TW	
Type	KA-BS006-VFO	KA-TW-BS073-VFO	
Art. no. set	26.AAY.KS	26.AEF.KS	
Installation type	surfaced mounted	surfaced mounted	
Frame material	aluminium window	aluminium window	
AD drawing number	AD00074	AD0150	

Components

	KA-BS006-VFO	KA-TW-BS073-VFO	
Sash bracket / art. no.	KA-SB001 / 26.AAA.KS	KA-SB001 / 2x 26.AAA.KS	
Frame bracket / art. no.	KA-FB001 / 26.AAD.KS	KA-FB001 / 26.AAD.KS	
Scope of supply	Complete, including fixing materials		

KA-BS006-VFO

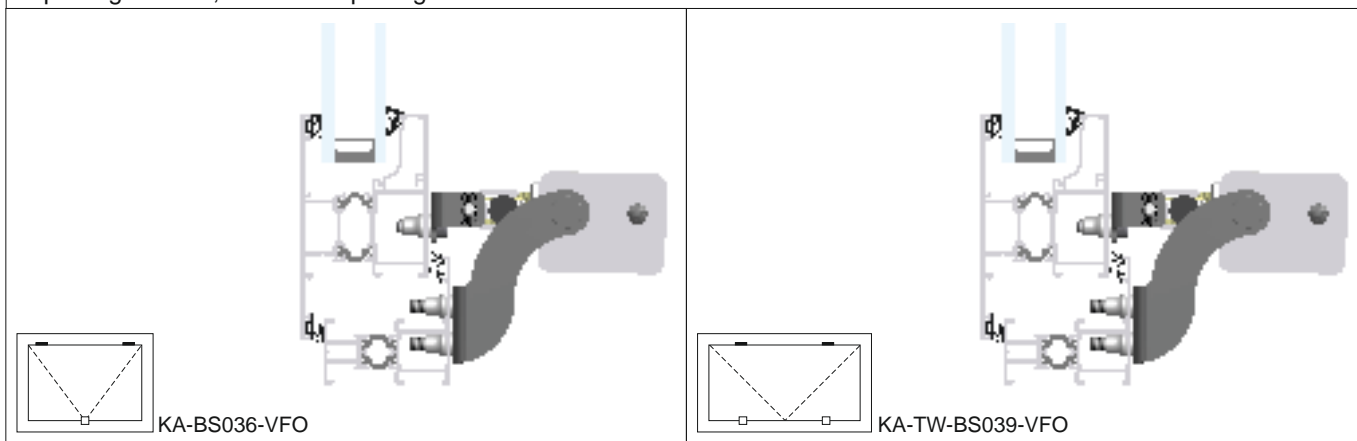
KA-TW-BS073-VFO



KA bracket sets for Reynaers® Series CS 59, 68, 77, 86-HI, Eco

Application

Top-hung window, outwards opening



Product information	KA	KA-TW	
Type	KA-BS036-VFO	KA-TW-BS039-VFO	
Art. no. set	26.ACS.KS	26.AC.V.KS	
Installation type	surfaced mounted	surfaced mounted	
Frame material	aluminium window	aluminium window	
AD drawing number	AD00137	AD00138	

Components	KA-BS036-VFO	KA-TW-BS039-VFO	
Sash bracket / art. no.	KA-SB013 / 26.AEK.KS	KA-SB013 / 2x 26.AEK.KS	
Frame bracket / art. no.	KA-FB012 / 26.ACR.KS	KA-FB012 / 26.ACR.KS	
Scope of supply	Complete, including fixing materials		

KA-BS036-VFO

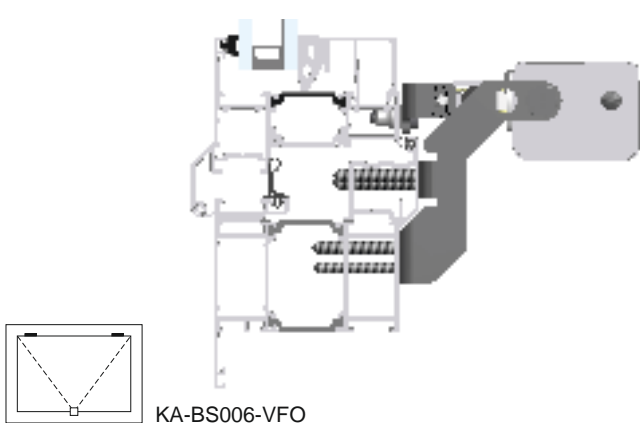
KA-TW-BS039-VFO



KA bracket sets for Sapa® Series SFB 1074

Application

Top-hung window, outwards opening



KA-BS006-VFO

Product information

KA

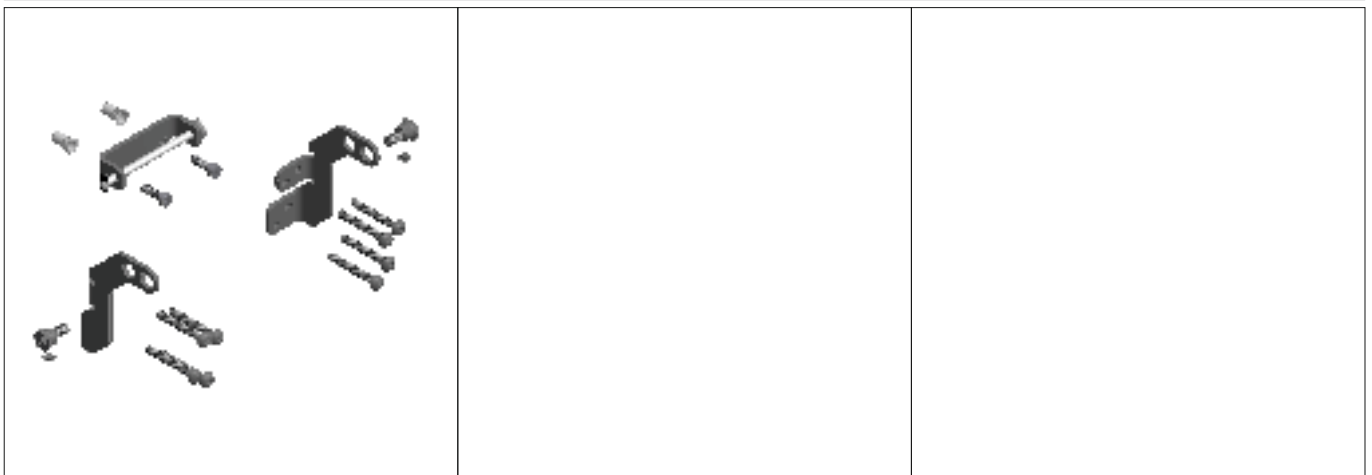
Type	KA-BS074-VFO		
Art. no. set	26.AEJ.KS		
Installation type	surfaced mounted		
Frame material	aluminium window		
AD drawing number	AD00232		

Components

KA-BS074-VFO

Sash bracket / art. no.	KA-SB013 / 26.AEK.KS		
Frame bracket / art. no.	KA-FB016 / 26.AFA.KS		
Scope of supply	Complete, including fixing materials		

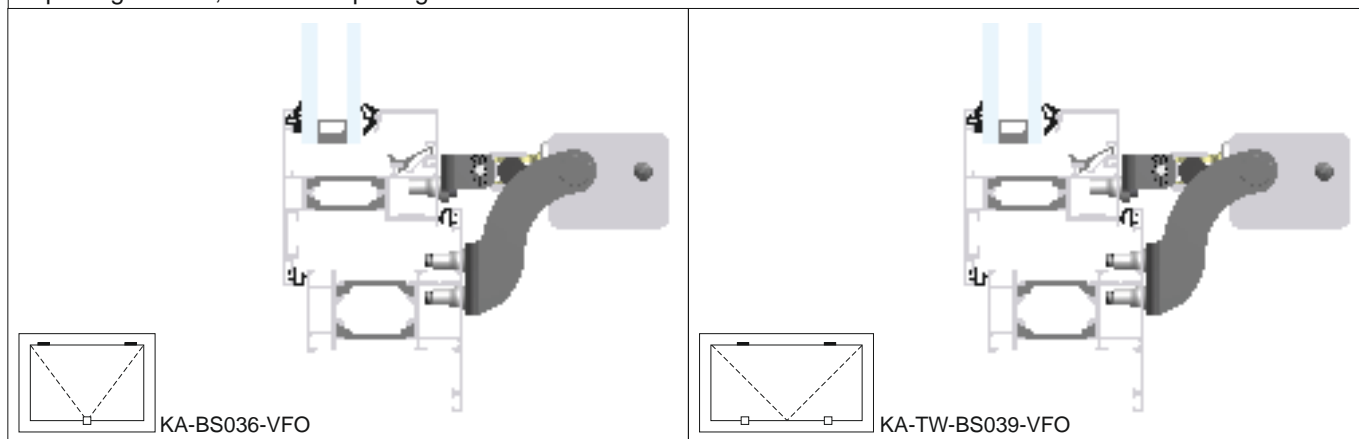
KA-BS074-VFO



KA bracket sets for Schüco® Series AWS (except AWS 102)

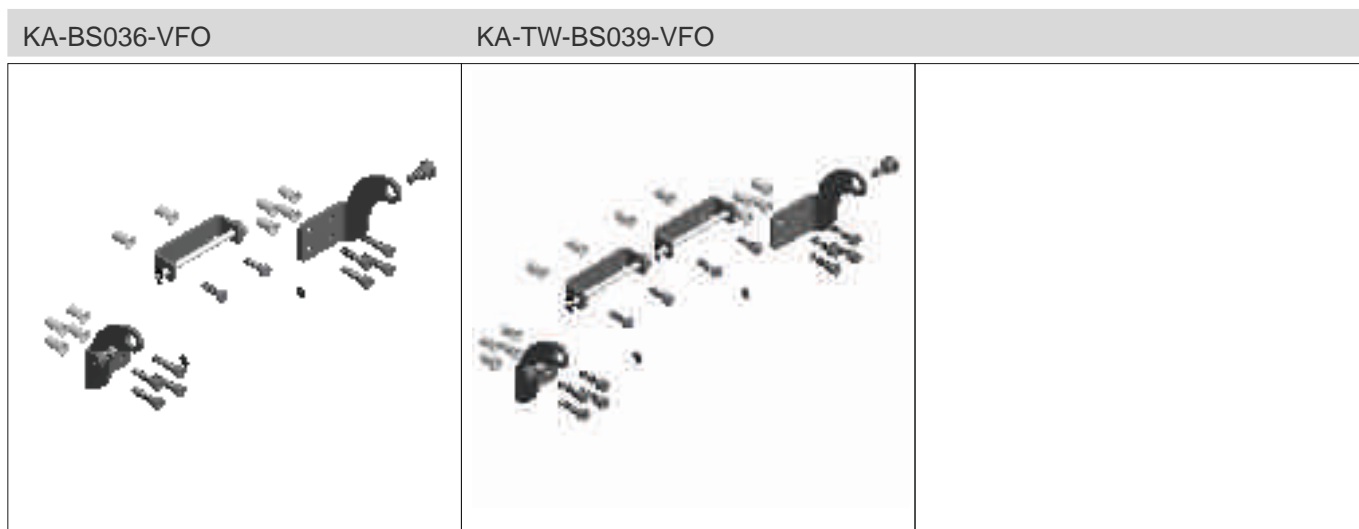
Application

Top-hung window, outwards opening



Product information	KA	KA-TW	
Type	KA-BS036-VFO	KA-TW-BS039-VFO	
Art. no. set	26.ACS.KS	26.AC.V.KS	
Installation type	surfaced mounted	surfaced mounted	
Frame material	aluminium window	aluminium window	
AD drawing number	AD00139	AD00140	

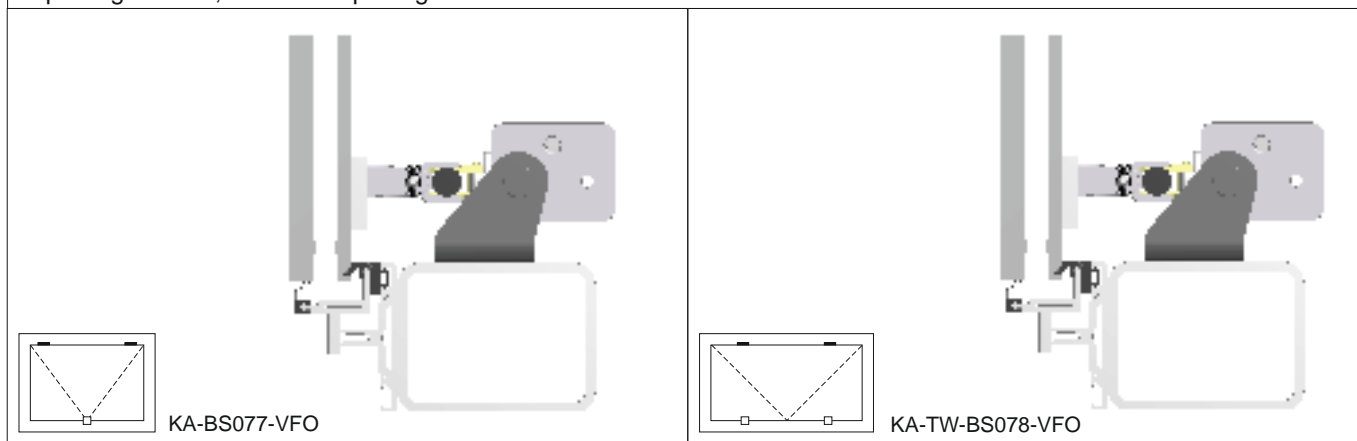
Components	KA-BS036-VFO	KA-TW-BS039-VFO	
Sash bracket / art. no.	KA-SB013 / 26.AEK.KS	KA-SB013 / 2x 26.AEK.KS	
Frame bracket / art. no.	KA-FB012 / 26.ACR.KS	KA-FB012 / 26.ACR.KS	
Scope of supply	Complete, including fixing materials		



KA bracket sets for Skandinaviska® Series SGS

Application

Top-hung window, outwards opening



Product information	KA	KA-TW	
Type	KA-BS077-VFO	KA-TW-BS078-VFO	
Art. no. set	26.AEZ.KS	26.AFB.KS	
Installation type	surfaced mounted	surfaced mounted	
Frame material	aluminium window	aluminium window	
AD drawing number	AD00261	AD0266	

Components	KA-BS077-VFO	KA-TW-BS078-VFO	
Sash bracket / art. no.	–	–	
Frame bracket / art. no.	–	–	
Scope of supply	Complete, including fixing materials		



KA bracket sets

Installation solutions for projected top-hung vent, outward opening, and parallel outward opening window

Arguments for D+H installation solutions

Easy installation

- Optimal adaptation of the bracket to the particular profile system guarantees high functional safety and simple installation
- The bracket sets were tested in combination with an automatic SHEV according to DIN EN 12101-2 (the classification reports are still being produced in part).

Design

- Even without cladding, the drive blends harmoniously into the appearance of a transom and mullion facade

Large opening widths

- Depending on the used friction hinges, openings of up to 45° are possible

Complete scope of supply

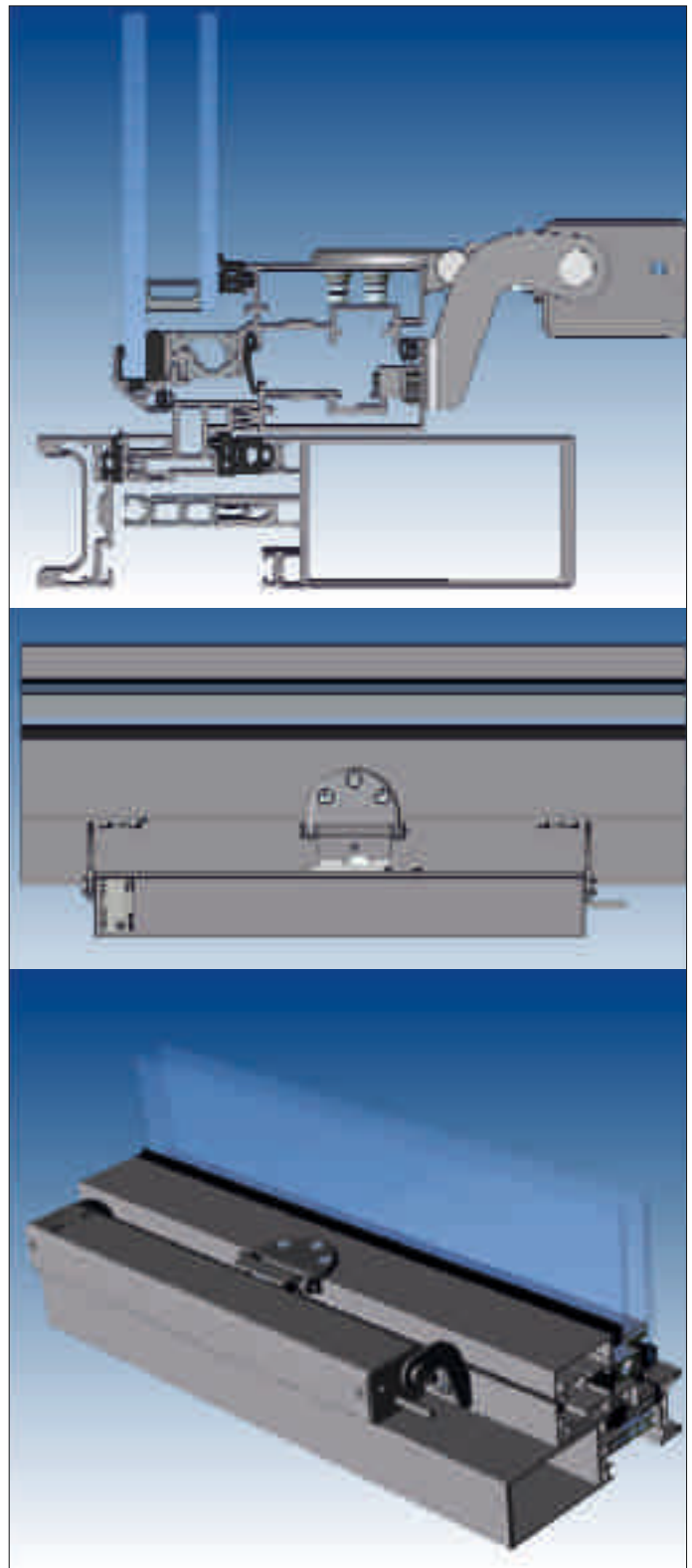
- All materials necessary for fixing are included in the scope of supply of the bracket set

Special colours

- All brackets can be supplied in a special colour as an option, according to RAL Classic (colour chart RAL-K5) (wet-painted or powder-coated)

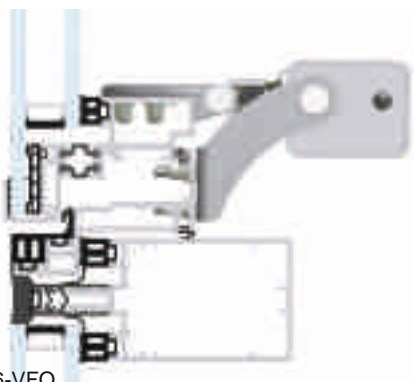
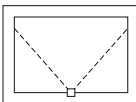
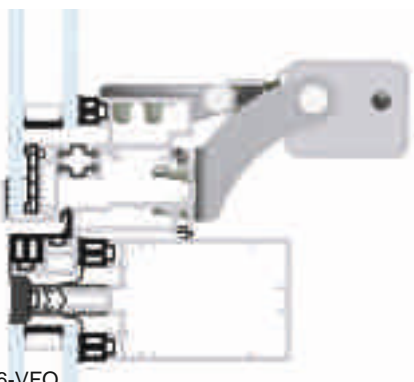
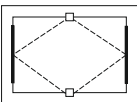
Documentation

- Application drawings suitable for window and facade manufacturers available





KA bracket sets for Gutmann® Series S70 SK

Application

Projected top-hung vent, outward opening	Parallel outward opening window
  KA-BS006-VFO KA-TW-BS073-VFO	  KA-BS006-VFO KA-TW-BS073-VFO

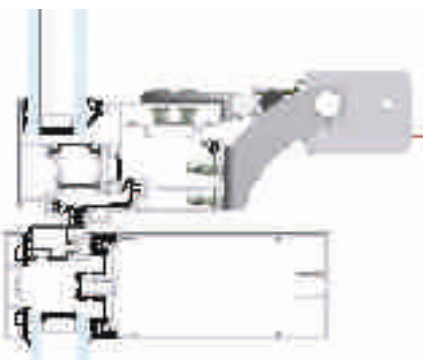
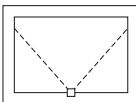
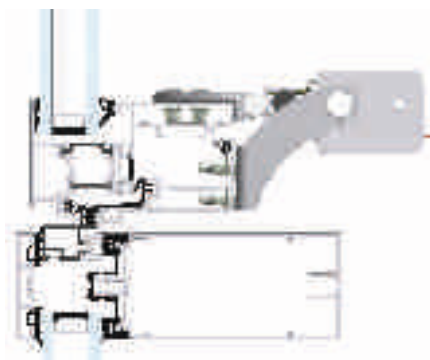
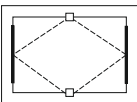
Product information	KA	KA-TW	
Type	KA-BS006-VFO	KA-TW-BS073-VFO	
Art. no. set	26.AAY.KS	26.AEF.KS	
Installation type	surfaced mounted	surfaced mounted	
Frame material	aluminium window	aluminium window	
AD drawing number	AD00152	AD0202	

Components	KA-BS006-VFO	KA-TW-BS073-VFO	
Sash bracket / art. no.	KA-SB001 / 26.AAA.KS	KA-SB001 / 2x 26.AAA.KS	
Frame bracket / art. no.	KA-FB001 / 26.AAD.KS	KA-FB001 / 26.AAD.KS	
Scope of supply	Complete, including fixing materials		

KA-BS006-VFO	KA-TW-BS073-VFO	
		



KA bracket sets for Raico® Series Wing 50 SK-R, SK-S

Application

Projected top-hung vent, outward opening	Parallel outward opening window
  KA-BS006-VFO KA-TW-BS073-VFO	  KA-BS006-VFO KA-TW-BS073-VFO

Product information	KA	KA-TW	
Type	KA-BS006-VFO	KA-TW-BS073-VFO	
Art. no. set	26.AAY.KS	26.AEF.KS	
Installation type	surfaced mounted	surfaced mounted	
Frame material	aluminium window	aluminium window	
AD drawing number	AD00074	AD0150	

Components	KA-BS006-VFO	KA-TW-BS073-VFO	
Sash bracket / art. no.	KA-SB001 / 26.AAA.KS	KA-SB001 / 2x 26.AAA.KS	
Frame bracket / art. no.	KA-FB001 / 26.AAD.KS	KA-FB001 / 26.AAD.KS	
Scope of supply	Complete, including fixing materials		

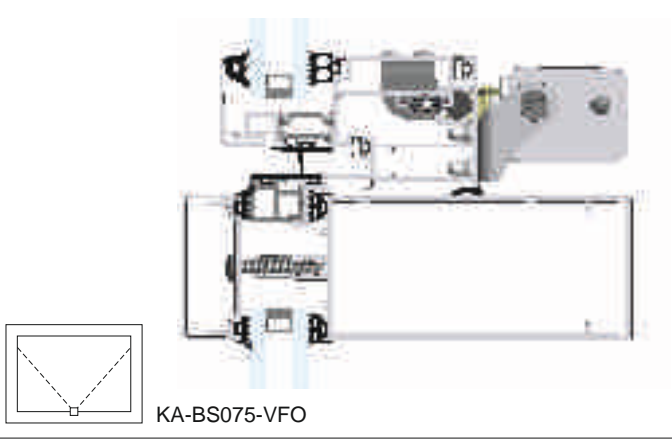
KA-BS006-VFO	KA-TW-BS073-VFO	
		

KA bracket sets for Reynaers® Series CW 50

Application

Projected top-hung vent, outward opening

Parallel outward opening window



KA-BS075-VFO

Product information

KA

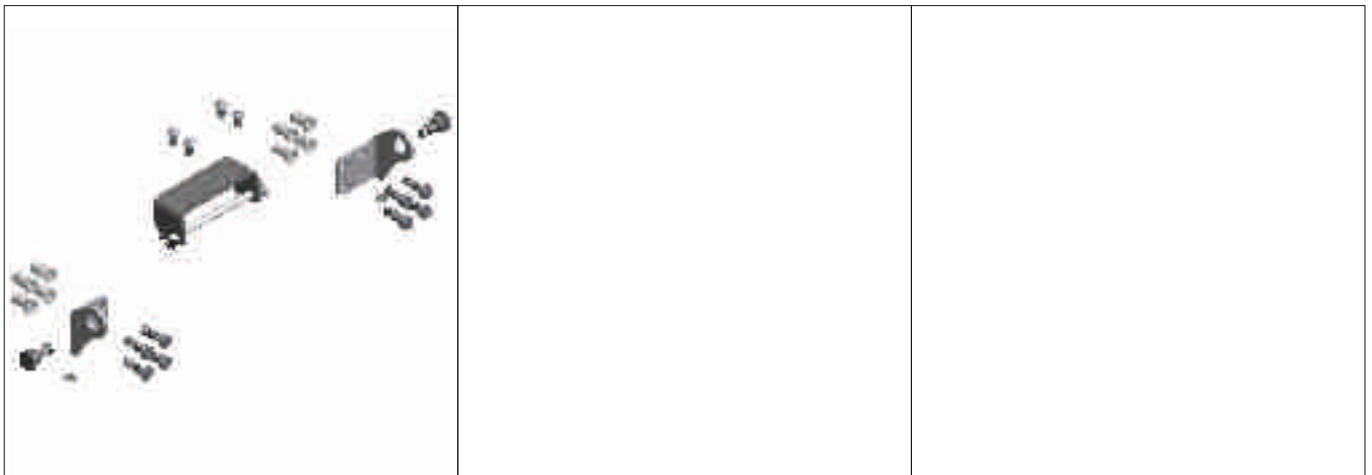
Type	KA-BS075-VFO		
Art. no. set	26.AEN.KS		
Installation type	surfaced mounted		
Frame material	aluminium window		
AD drawing number	AD00233		

Components

KA-BS075-VFO

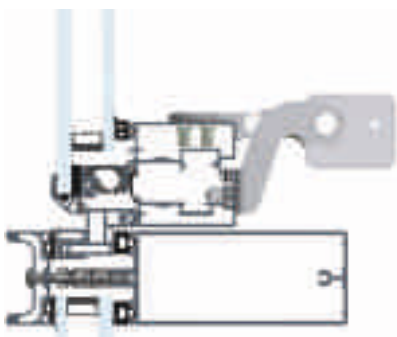
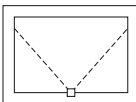
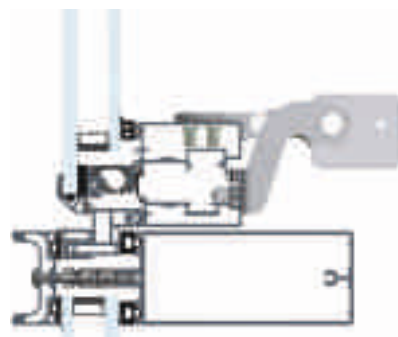
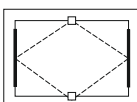
Sash bracket / art. no.	KA-SB014 / 26.AEL.KS		
Frame bracket / art. no.	KA-FB014 / 26.AEM.KS		
Scope of supply	Complete, including fixing materials		

KA-BS075-VFO





KA bracket sets for Schüco® Series AWS 102 SK (sash frame 339 470)

Application

Projected top-hung vent, outward opening	Parallel outward opening window
  KA-BS001-VFO KA-TW-BS045-VFO	  KA-BS001-VFO KA-TW-BS045-VFO

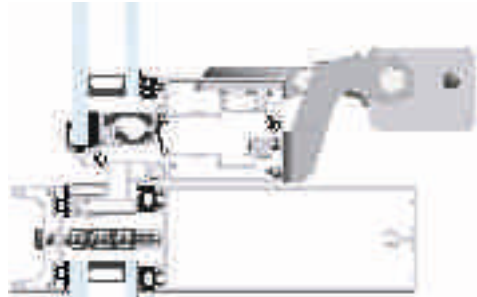
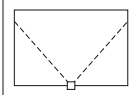
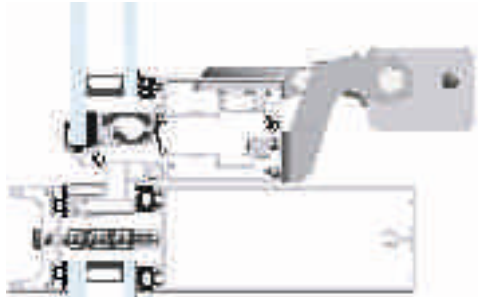
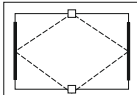
Product information	KA	KA-TW	
Type	KA-BS001-VFO	KA-TW-BS045-VFO	
Art. no. set	26.AAF.KS	26.ADB.KS	
Installation type	surfaced mounted	surfaced mounted	
Frame material	aluminium window	aluminium window	
AD drawing number	AD00045	AD00133	

Components	KA-BS001-VFO	KA-TW-BS045-VFO	
Sash bracket / art. no.	KA-SB001 / 26.AAA.KS	KA-SB001 / 2x 26.AAA.KS	
Frame bracket / art. no.	KA-FB002 / 26.AAB.KS	KA-FB002 / 26.AAB.KS	
Scope of supply	Complete, including fixing materials		

KA-BS001-VFO	KA-TW-BS045-VFO	
		



KA bracket sets for Schüco® Series AWS 102 SK (sash frame 339 490)

Application

Projected top-hung vent, outward opening	Parallel outward opening window
  KA-BS051-VFO KA-TW-BS068-VFO	  KA-BS051-VFO KA-TW-BS068-VFO

Product information	KA	KA-TW	
Type	KA-BS051-VFO	KA-TW-BS068-VFO	
Art. no. set	26.ADJ.KS	26.AEG.KS	
Installation type	surfaced mounted	surfaced mounted	
Frame material	aluminium window	aluminium window	
AD drawing number	AD00045	AD00133	

Components	KA-BS051-VFO	KA-TW-BS068-VFO	
Sash bracket / art. no.	KA-SB011 / 26.ADH.KS	KA-SB011 / 2x 26.ADH.KS	
Frame bracket / art. no.	KA-FB002 / 26.AAB.KS	KA-FB002 / 26.AAB.KS	
Scope of supply	Complete, including fixing materials		

KA-BS051-VFO	KA-TW-BS068-VFO	
		

KA bracket sets

Installation solutions for turning sash windows

Arguments for D+H installation solutions

Efficiency

- Time-saving installation through optimal adaptation of the bracket set for the particular profile
- no additional adaptation work on the bracket necessary

EN 12101-2 tested

- The bracket sets were tested in combination with an automatic SHEV according to DIN EN 12101-2 (classification reports are still being produced in part).

Functional safety

- Optimum adaptation of the bracket to the particular drive system guarantees complete functional safety

Complete scope of supply

- All materials necessary for fixing are included in the scope of supply of the bracket set

Special colours

- All brackets can be supplied in a special colour as an option, according to the customer's requirements (wet-painted or powder-coated)

Documentation

- Application drawings suitable for window and facade manufacturers available

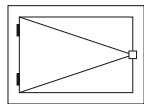
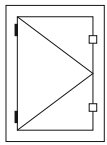


KA bracket sets for Reynaers® Series CS 59, 68, 77, 86-HI, Eco

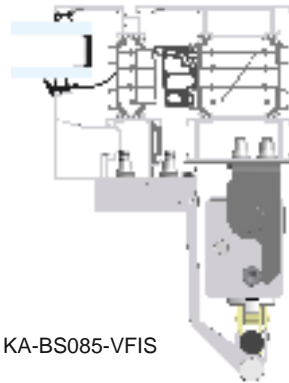
Application

Turning-sash window, inwards opening

•min. space on the frame:
45 mm



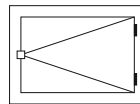
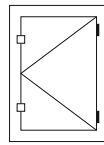
DIN-left



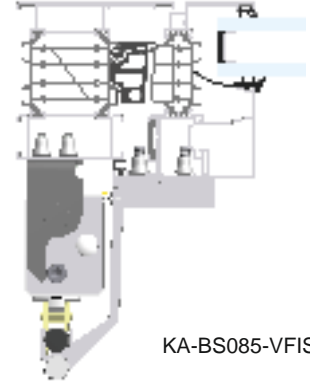
KA-BS085-VFIS

KA-TW-BS086-VFIS

•min. space on the frame:
45 mm



DIN-right



KA-BS085-VFIS

KA-TW-BS086-VFIS

Product information

	KA	KA-TW	
Type	KA-BS085-VFIS	KA-TW-BS086-VFIS	
Art. no. set	26.AFL.KS	26.AFM.KS	
Installation type	surfaced mounted	surfaced mounted	
Frame material	aluminium window	aluminium window	
AD drawing number	AD00135	AD00136	

Components

	KA-BS085-VFIS	KA-TW-BS086-VFIS	
Sash bracket / art. no.	–	–	
Frame bracket / art. no.	–	–	
Scope of supply	Complete, including fixing materials		

KA-BS085-VFIS

KA-TW-BS086-VFIS

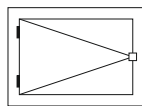
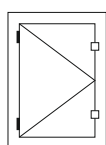


KA bracket sets for Schüco® Series AWS (except Series AWS 102)

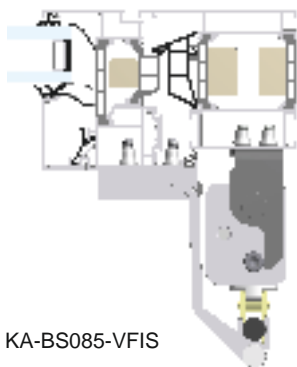
Application

Turning-sash window, inwards opening

•min. space on the frame:
45 mm



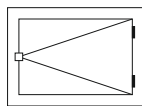
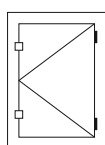
DIN-left



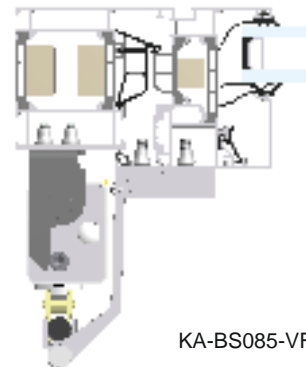
KA-BS085-VFIS

KA-TW-BS086-VFIS

•min. space on the frame:
45 mm



DIN-right



KA-BS085-VFIS

KA-TW-BS086-VFIS

Product information

	KA	KA-TW	
Type	KA-BS085-VFIS	KA-TW-BS086-VFIS	
Art. no. set	26.AFL.KS	26.AFM.KS	
Installation type	surfaced mounted	surfaced mounted	
Frame material	aluminium window	aluminium window	
AD drawing number	AD00143	AD00144	

Components

	KA-BS085-VFIS	KA-TW-BS086-VFIS	
Sash bracket / art. no.	–	–	
Frame bracket / art. no.	–	–	
Scope of supply	Complete, including fixing materials		

KA-BS085-VFIS

KA-TW-BS086-VFIS



KA bracket sets

Universal mounting solutions

Arguments for D+H installation solutions

Efficiency

- Time-saving installation through optimal adaptation of the bracket set for the drive
- no additional adaptation work on the bracket necessary

EN 12101-2 tested

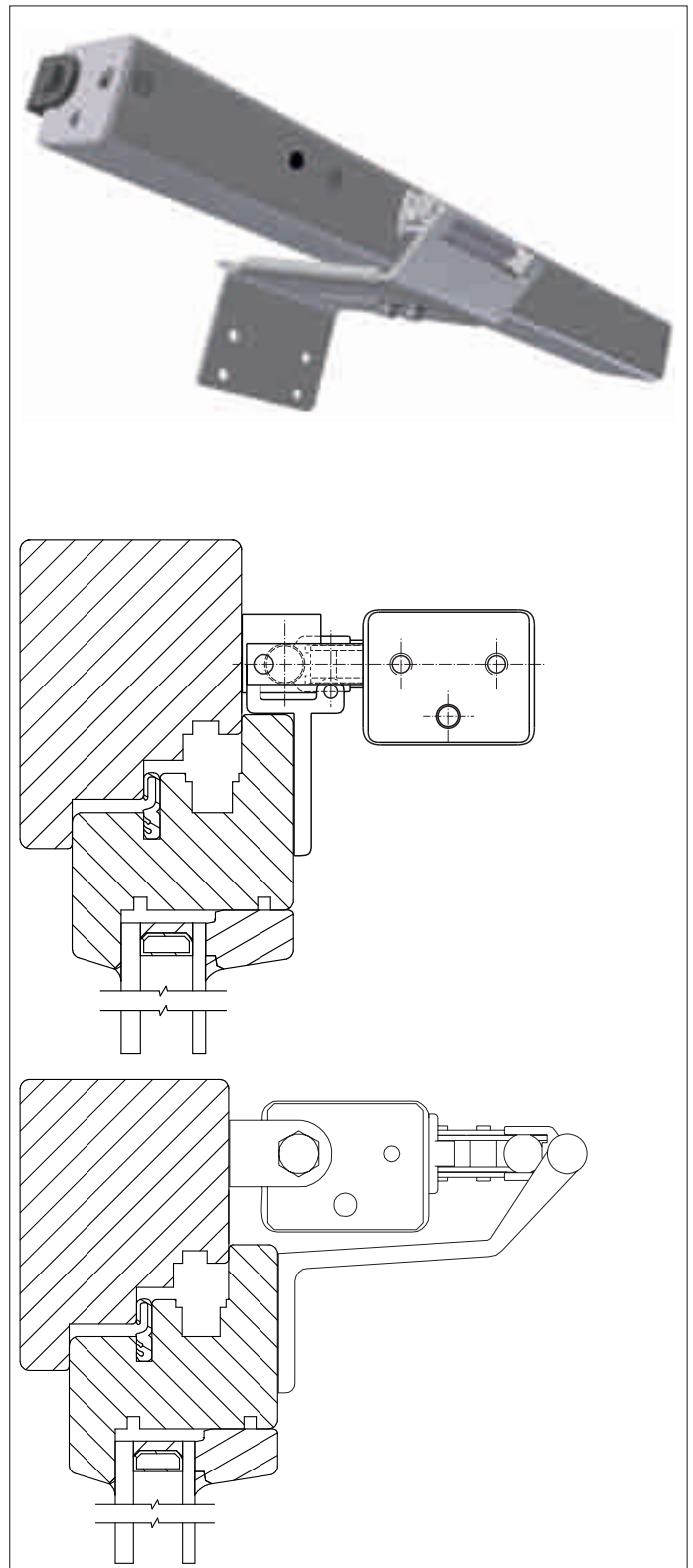
- The bracket sets were tested in combination with an automatic SHEV according to DIN EN 12101-2 (classification reports are still being produced in part).

Complete scope of supply

- All materials necessary for fixing are included in the scope of supply of the bracket set

Special colours

- All brackets can be supplied in a special colour as an option, according to RAL Classic (colour chart RAL-K5) (wet-painted or powder-coated)

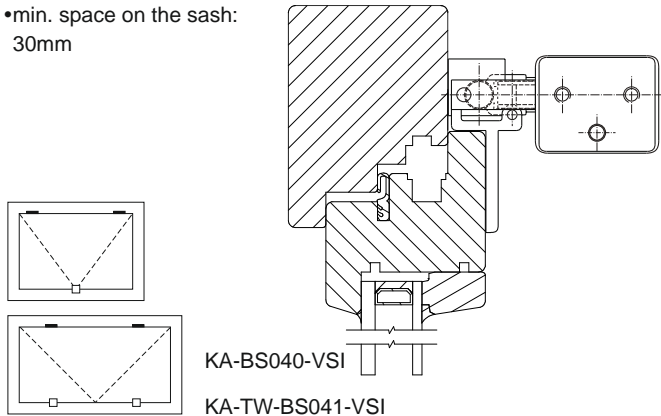


KA bracket sets for Mounting on sash

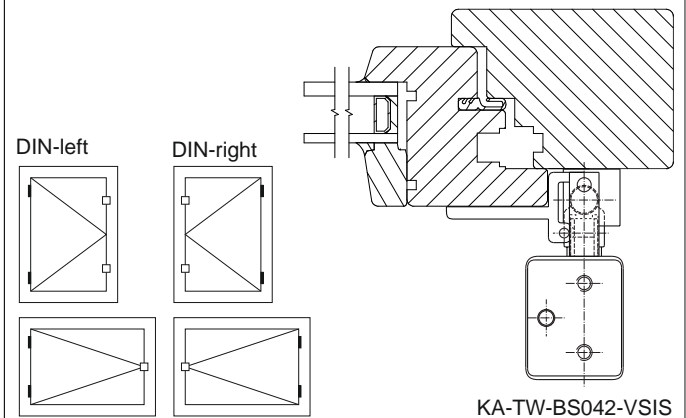
Application

inwards opening

•min. space on the sash:
30mm



inwards opening, turning sash



Product information	KA	KA-TW	KA-TW
Type	KA-BS040-VSI	KA-TW-BS041-VSI	KA-TW-BS042-VSIS
Art. no. set	26.ACW.KS	26.ACX.KS	26.ACY.KS
Installation type	surfaced mounted	surfaced mounted	surfaced mounted
Frame material	aluminium window	aluminium window	aluminium window
Drilling dimensions: see instruction manual			

Components	KA-BS040-VSI	KA-TW-BS041-VSI	KA-TW-BS042-VSIS
Sash bracket / art. no.	–	–	–
Frame bracket / art. no.	–	–	–
Scope of supply	Sets without fixing material		

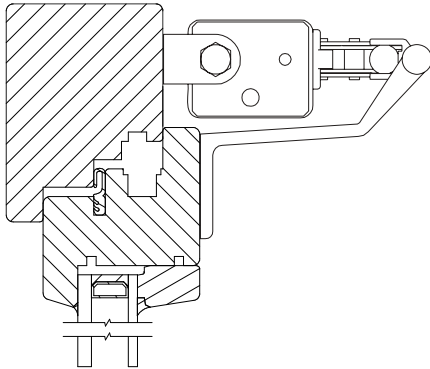
KA-BS040-VSI	KA-TW-BS041-VSI	KA-TW-BS042-VSIS
<p>•follower of F-KA (21.050.20)</p>	<p>•follower of F-KA-TW (21.051.30)</p>	<p>•follower of F-KA-DF-TW (21.052.30)</p>

KA bracket sets for Mounting on frame

Application

inwards opening

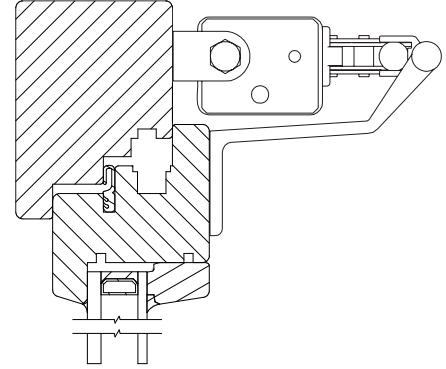
•min. space on the frame: 46mm



KA-BS046-VFI

inwards opening

•min. space on the frame: 46mm



KA-TW-BS047-VFI

Product information

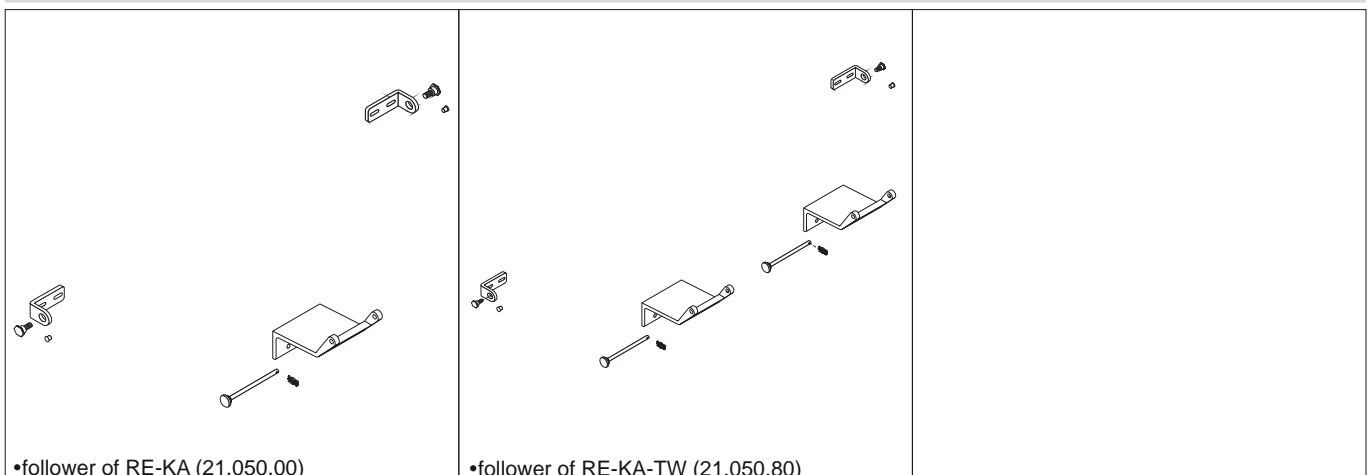
	KA	KA-TW	
Type	KA-BS046-VFI	KA-TW-BS047-VFI	
Art. no. set	26.ADC.KS	26.ADD.KS	
Installation type	surfaced mounted	surfaced mounted	
Frame material	aluminium window	aluminium window	
Drilling dimensions: see instruction manual			

Components

	KA-BS046-VFI	KA-TW-BS047-VFI	
Sash bracket / art. no.	–	–	–
Frame bracket / art. no.	–	–	–
Scope of supply	Sets without fixing material		

KA-BS046-VFI

KA-TW-BS047-VFI



•follower of RE-KA (21.050.00)

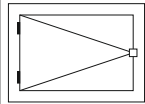
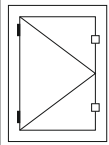
•follower of RE-KA-TW (21.050.80)

KA bracket sets for Mounting on frame

Application

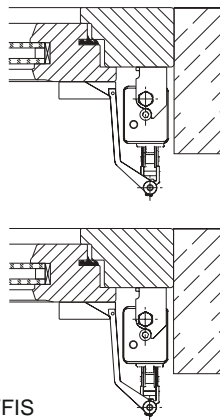
inwards opening, turnung sash

- min. space on the frame:
45mm



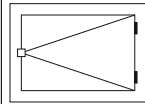
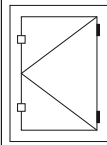
DIN-left

KA-BS083-VFIS
KA-TW-BS084-VFIS



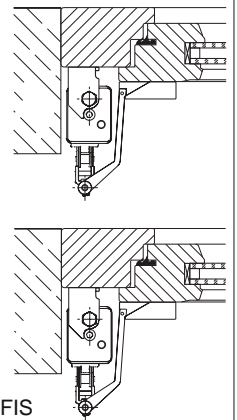
inwards opening, turnung sash

- min. space on the frame:
45mm



DIN-right

KA-BS083-VFIS
KA-TW-BS084-VFIS



Product information

	KA	KA-TW	
Type	KA-BS083-VFIS	KA-TW-BS084-VFIS	
Art. no. set	26.AFJ.KS	26.AFK.KS	
Installation type	surfaced mounted	surfaced mounted	
Frame material	aluminium window	aluminium window	
Drilling dimensions: see instruction manual			

Components

	KA-BS083-VFIS	KA-TW-BS084-VFIS	
Sash bracket / art. no.	–	–	–
Frame bracket / art. no.	–	–	–
Scope of supply	Sets without fixing material		

KA-BS083-VFIS

KA-TW-BS084-VFIS

•follower of RE-KA-DF (21.051.90)	•follower of RE-KA-DF-TW (21.052.00)	

KA bracket sets for Mounting on frame

Application

outwards opening	inwards opening, variable
<p>KA-BS050-VFO KA-TW-BS052-VFO</p>	<p>min = 33 mm Wing bracket minimum position max = 112 mm Wing bracket maximum position KA-BS059-VFI</p>

Product information	KA	KA-TW	KA
Type	KA-BS050-VFO	KA-TW-BS052-VFO	KA-BS059-VFI
Art. no. set	26.ADG.KS	26.ADF.KS	26.ADT.KS
Installation type	surfaced mounted	surfaced mounted	surfaced mounted
Frame material	aluminium window	aluminium window	aluminium window
Drilling dimensions: see instruction manual			

Components	KA-BS050-VFO	KA-TW-BS052-VFO	KA-BS059-VFI
Sash bracket / art. no.	–	–	–
Frame bracket / art. no.	–	–	–
Scope of supply	Sets without fixing material		

KA-BS050-VFO	KA-TW-BS052-VFO	KA-BS059-VFI
<p>•follower of RA-KA (21.050.10)</p>	<p>•follower of RA-KA-TW (21.050.70)</p>	<p>•follower of RE-KA-VAR (21.055.40)</p>

